



IB RUBINETTI

Collection

BOLD

Article

B1393

Description

Three holes bidet

Box Dimensions

455 x 310 x 75 mm

Weight

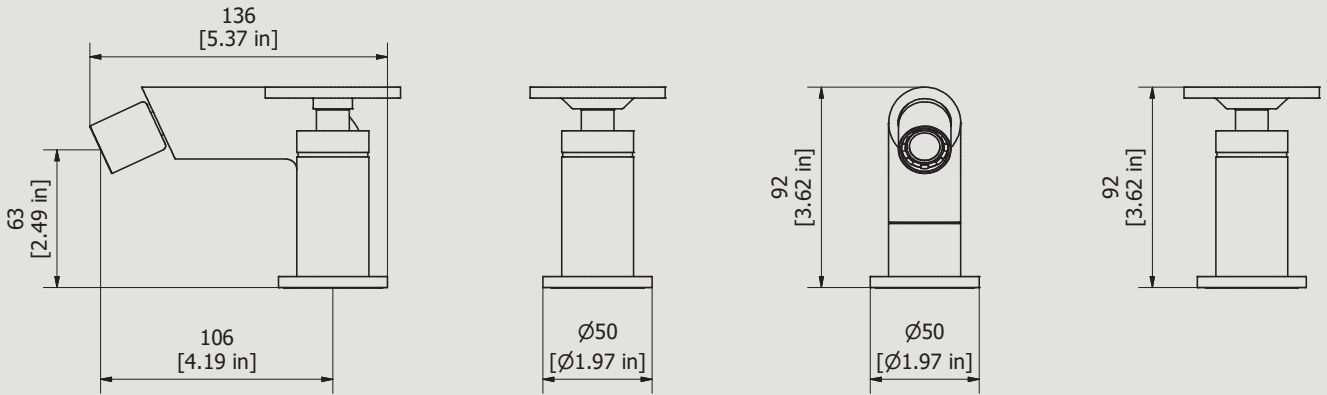
4.4 kg



Finishes

- **CC**
CHROME
- **CF**
BLACK CHROME
- **OO**
GOLD
- **BB**
ANTIQUE BRONZE
- **SS**
BRUSHED NICKEL
- **CS**
BRUSHED BLACK CHROME
- **BO**
MATT WHITE
- **NP**
MATT BLACK
- **IS**
BRUSHED PALE GOLD
- **OS**
BRUSHED GOLD
- **II**
PALE GOLD
- **RR**
ANTIQUE COPPER
- **RS**
ROSE GOLD
- **ON**
NATURAL BRASS
- **SR**
BRUSHED ROSE GOLD
- **PL**
PLATINUM

Dimensions



Cartridge

G1/2" ceramic cartridge

Threaded fitting

G1/2" male

Aerator

M24x1

Flow Rate (+/-10%)

| | | |
|------------------|------------------|------------------|
| 1 BAR | 2 BAR | 3 BAR |
| 3.3 l/min | 4.4 l/min | 4.5 l/min |

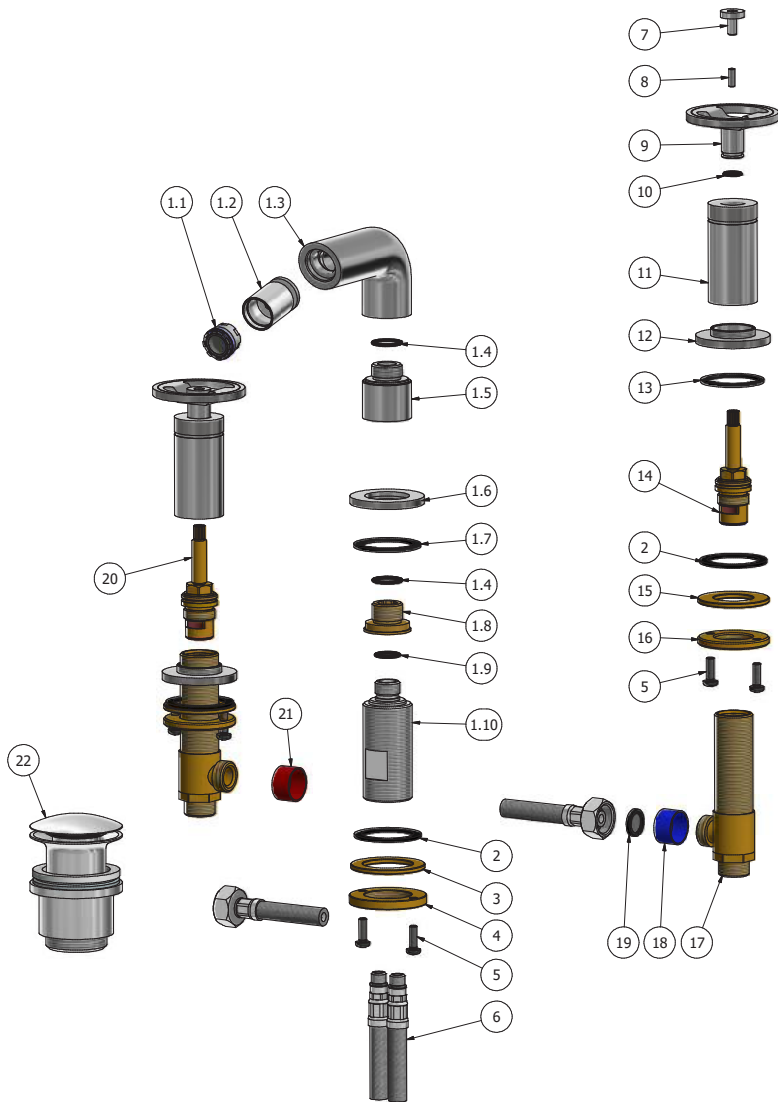
Production

Main body is a single casted pieces

Material

BRASS
According to CuZn35Pb2Al-B (CB752S)
Max Lead content: 1.36%





| Parts list | | | |
|------------|--------------|---|----|
| ELEM | CODE | DESCRIPTION | QT |
| 1 | CPBD393C C-1 | Preassembled bidet spout | 1 |
| 1.1 | AQ0010291 | Cachè laminar (42.3330.01) | 1 |
| 1.2 | AQ0010292 | Cachè articulated joint JR AG M24 (68.9681.0) | 1 |
| 1.3 | CC0002321 | Spout Ø33 H62 L104 | 1 |
| 1.4 | AQ0004630 | OR 17.16x1.78 NBR 70 SH | 2 |
| 1.5 | AC0012728 | Spout extension Ø33 H36.5 G1/2" | 1 |
| 1.6 | AC0015168 | Base Ø50 H5 | 1 |
| 1.7 | AQ0008013 | Rubber packing 45x35x2 | 1 |
| 1.8 | AS0015169 | Reduction G1/2" G3/8" H19 | 1 |
| 1.9 | AQ0009818 | OR 14x1.78 NBR 70 SH | 1 |
| 1.10 | AC0010761 | Threaded stem M33x1.5 G3/8" H80 | 1 |
| 2 | AQ0008013 | Rubber packing 45x35x2 | 3 |
| 3 | AS0010659 | Brass ring Ø50x35.5x3 | 1 |
| 4 | AS0010658 | Ring nut with screwed holes Ø52 M33x1.5 H6 | 1 |
| 5 | AQ0010358 | Inox screw M5x16 | 6 |
| 6 | AQ0010273 | Inox hose M10x1 G1/2" L400 | 2 |
| 7 | AC0015171 | Screw Ø16 M4 H16 | 2 |
| 8 | AQ0014996 | Grubscrew M4x12 flat point | 2 |
| 9 | CC0002277 | Wheel Ø62 H30.5 8x20 | 2 |
| 10 | AQ0004180 | OR 9.25x1.78 NBR 70 SH | 2 |
| 11 | AC0015170 | Bell Ø33 M301 26x19 H67 | 2 |
| 12 | AC0015167 | Base Ø50 M30x1 H10 | 2 |
| 13 | AQ0008012 | Plane seal Ø42.5x35.5x2 | 2 |
| 14 | AQ0010528 | Ceramic headwork 90° DX H38.5 8x20 | 1 |
| 15 | AS0010697 | Washer Ø48 x Ø26.5 x3 | 2 |
| 16 | AS0010698 | Ring nut W26x19 | 2 |
| 17 | AS0002250 | Washbasin upright W26x19 | 2 |
| 18 | AQ0015329 | Blue plug G1/2" | 1 |
| 19 | AQ0010360 | Rubber packing 1/2" H2 with filter | 2 |
| 20 | AQ0010529 | Ceramic headwork 90° SX H38.5 8x20 | 1 |
| 21 | AQ0015328 | Red plug G1/2" | 1 |
| 22 | AQ0009837 | Simple rapid waste 1"1/4 | 1 |

WARRANTY

All IB Rubinetterie SpA products are warranted for 10 years from the date of purchase, for the following cases:

- Defects of casting, porosity and chrome plating.
- Operating defects caused by incorrect fabrication.

The warranty provides for repair or replacement of products with fabrication defects recognized by our technical office. There is no other type of compensation anche the merchandise must be returned FOB our warehouse. The warranty only cover surface defects (scatches, dings, etc.) on fitting that have not been installed and used, returned in its original packaging with all components. O-ring, gasket seals and components subject to wear proportional to use are warranted for 2 years.

The warranty is void in the following cases:

Error installing and putting the product into service.

Deterioration of finisched surfaces due to use of cleaning products containing acids or abrasive substances. Deterioration of surface with finishes other than chrome plating. Their durability is, in fact, dependent on the user's care and gentleness of use.

Deterioration of the fitting due incorrect installation.

Improper repairs and maintenance performed without the company's prior authorization.

The warranty from IB Rubinetterie SpA is not renewable.

Cleaning

We recommended cleaning the finish surfaces with water and soap, using a soft cloth.

Do not use detergents that cointain hydrochloric acid or abrasive substances.

