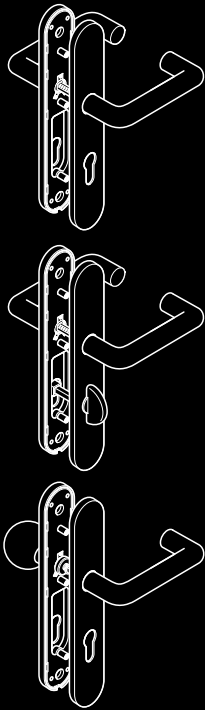


Garnituren mit Langschildern
R-Technik Kunststoff
Door fitting with long backplates
R-Technology synthetic material

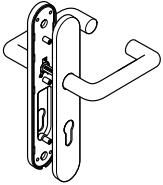
HEWI



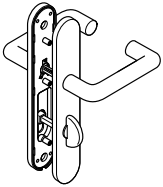
D Montageanleitung

GB Installation instructions

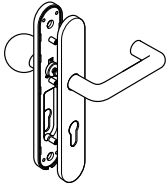
Montagevorbereitung
Mounting preparations **S. 3**



Typ **Montage | Mounting** **S. 4**
A Zimmergarnitur
standard door fitting

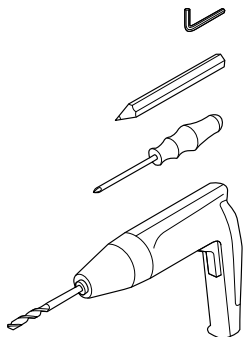


Typ **Montage | Mounting** **S.6**
B Frei-Besetzt-Garnitur
vacant/engaged fitting



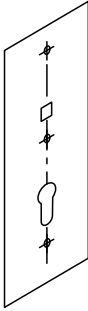
Typ **Montage | Mounting** **S. 8**
C Wechselgarnitur
apartment door fitting

Demontage | Demounting **S. 10**

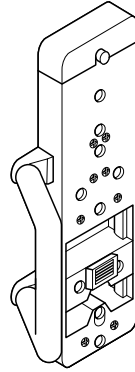


Werkzeuge zur Montage
Tools for mounting

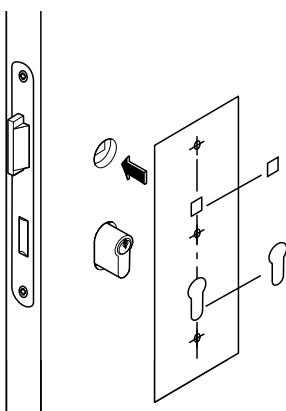
a



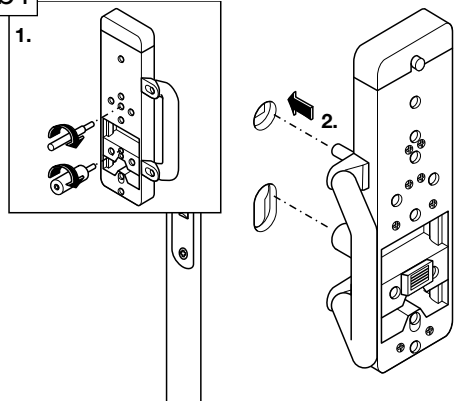
b



a1

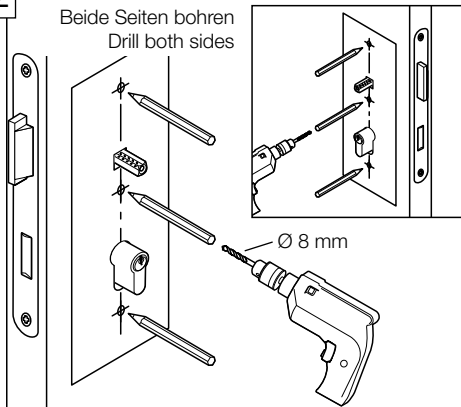


b1



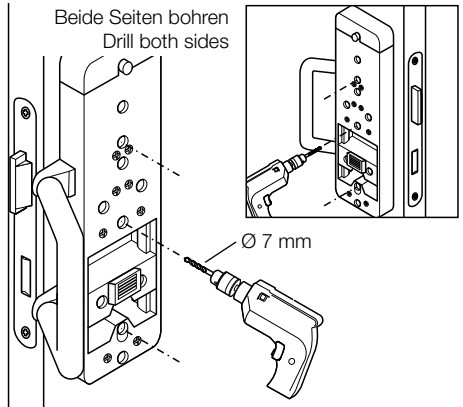
a2

Beide Seiten bohren
Drill both sides

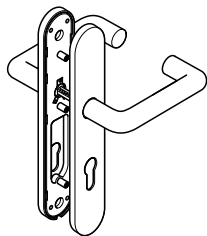


b2

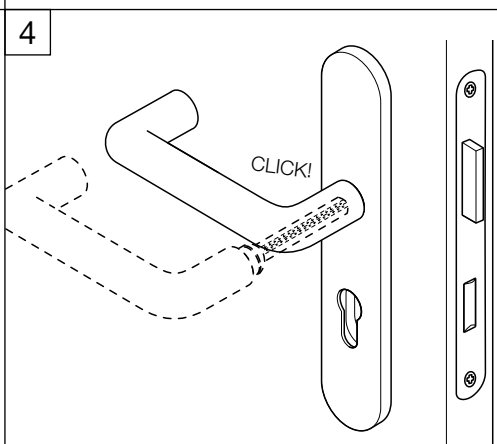
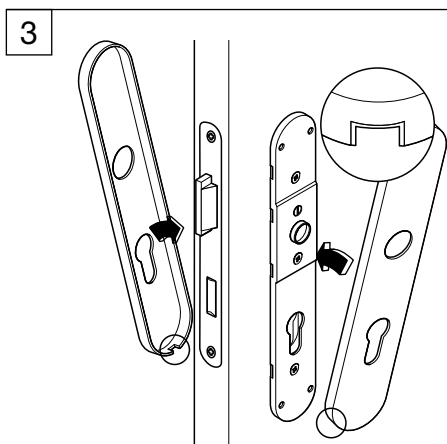
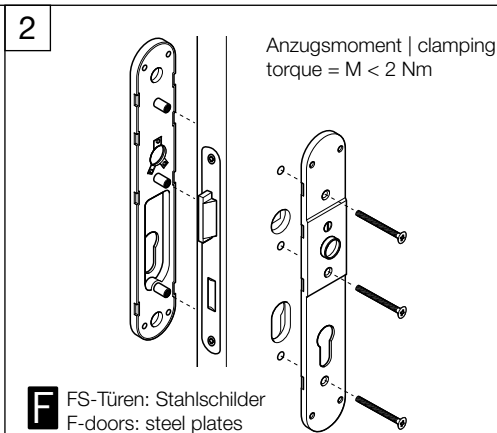
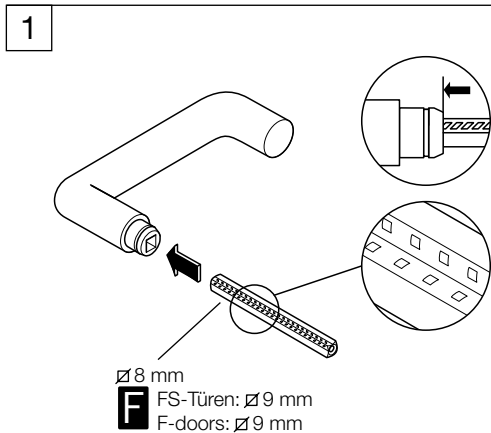
Beide Seiten bohren
Drill both sides



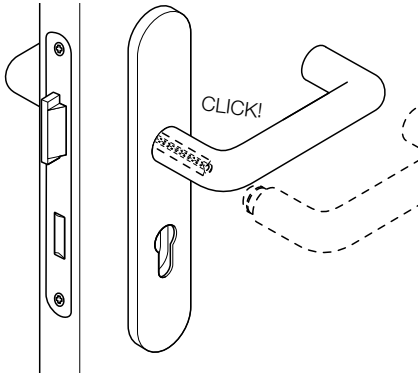
Montage Zimmerngarnitur
Mounting standard door fitting



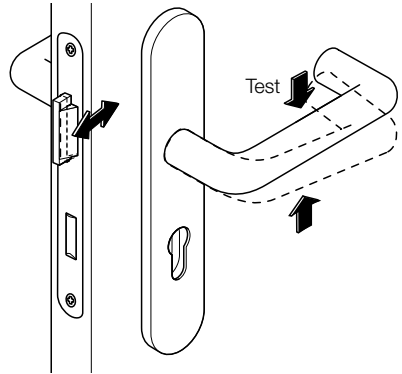
Typ **A** Montage | Mounting
Zimmerngarnitur
standard door fitting



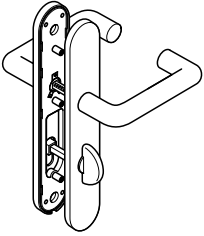
5



6

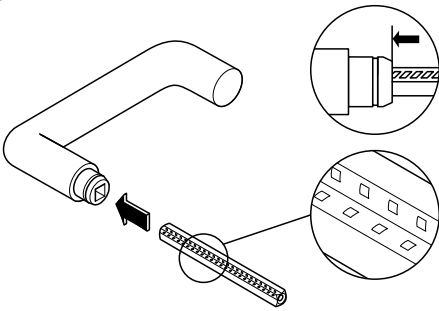


Montage Frei-Besetzt-Garnitur
Mounting vacant/engaged fitting

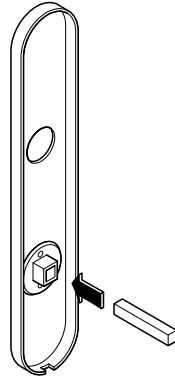


Typ **B** Montage | Mounting
Frei-Besetzt-Garnitur
vacant/engaged fitting

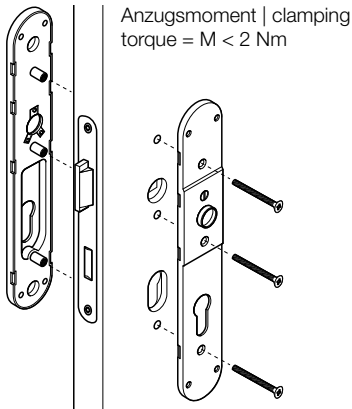
1



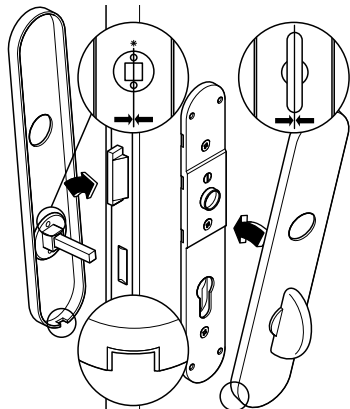
2



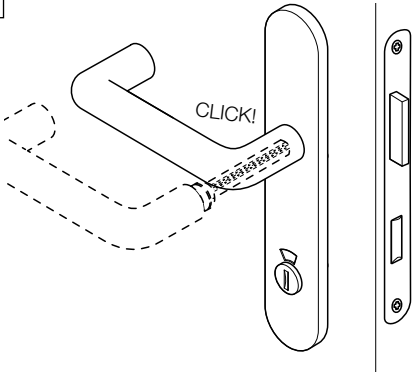
3



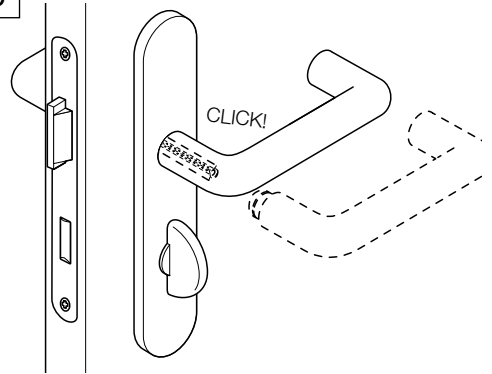
4



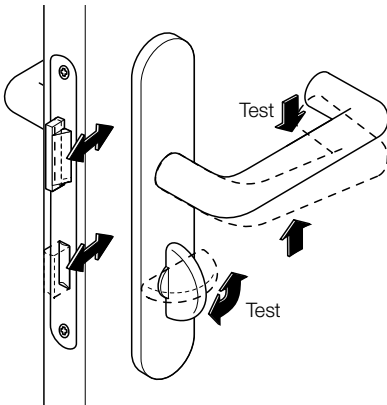
5



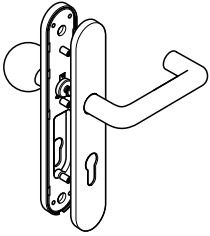
6



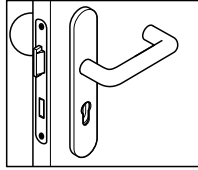
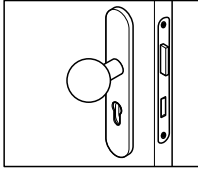
7



Montage Wechselgarnitur
Mounting apartment door fitting



Typ **C** **Montage | Mounting**
 Wechselgarnitur
 apartment door fitting



1

$\varnothing 8 \text{ mm}$
F FS-Türen: $\varnothing 9 \text{ mm}$
 F-doors: $\varnothing 9 \text{ mm}$

2

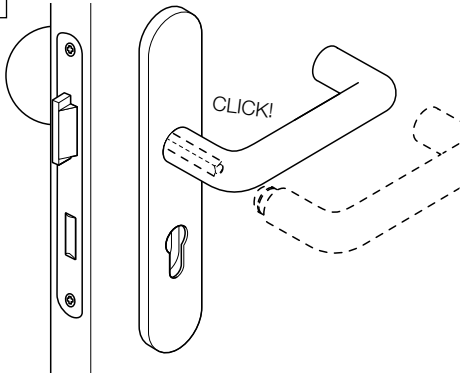
Anzugsmoment | clamping torque = $M < 2 \text{ Nm}$

F FS-Türen: Stahlschilder
 F-doors: steel plates

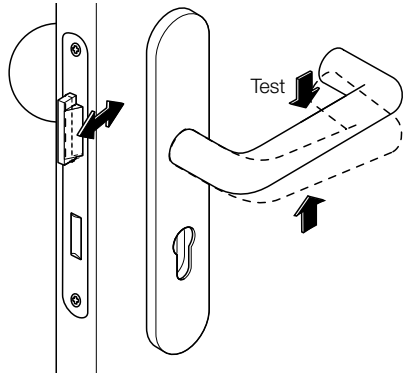
3

4

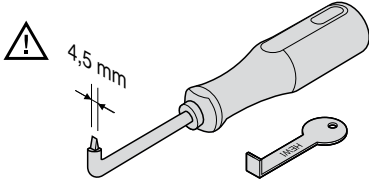
5



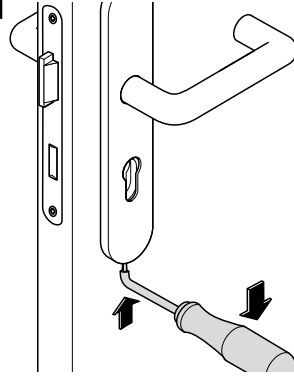
6



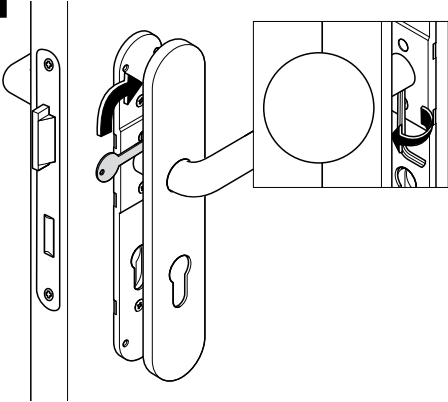
Demontage
Demounting



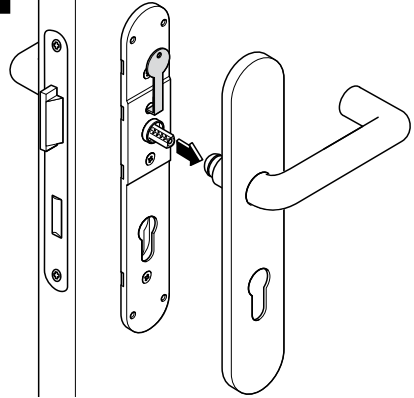
1



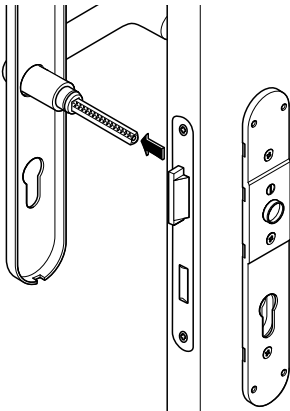
2



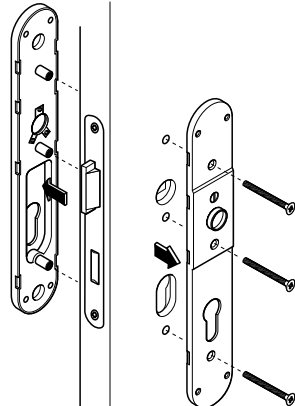
3



4



5



HEWI

www.hewi.com

Deutschland

HEWI Heinrich Wilke GmbH

Postfach 1260

D-34442 Bad Arolsen

Telefon: +49 5691 82-0

Telefax: +49 5691 82-319

info@hewi.de

www.hewi.de