

## Cooker hob FL 7209 032

Cooker hobs

Code: 7209 032



### DETAILS

Finish Foster brushed

---

Material AISI 304 stainless steel

---

Texture Satin

---

Supply 220-240 V; 50.60 Hz

---

Edge/Installation Type Flat Edge

---

Dimensions 353x513 mm

---

Base size 35cm

---

Heating element two burners

---

Built-in hole 320x480 mm

---

Grids Cast iron grids and enamelled burner covers

---

Total power 2.750 W

---

Auxiliary 1.000 W

---

Semirapid 1.750 W

---

Safety Safety valve with quick-acting thermocouple

---

Ignition Electric ignition under knob

---

Gas type Tested for installation with natural gas, LPG nozzle set included.

---

Type Gas Hob

---

## FEATURES

**Cast iron grids** Cast-iron is the ideal material for an hob grid, this due to the manifold properties characterising it: high heat capacity that improves cooking performance; high weight and stability that improve safety; sturdiness that preserves the hob's original aspect over time; easy cleaning.

---

**Safe cooking** All Foster cooker hobs are equipped with safety valves. They shut off the gas supply very quickly if the flame accidentally goes out.

---

**Special burners** Many Foster hobs are equipped with special burners, with two or three rings of fire that greatly increase the power delivered and the heated surface. In the DUAL models the two fire crowns also have independent ignition, making these burners perfect for both intensive and delicate cooking.

---

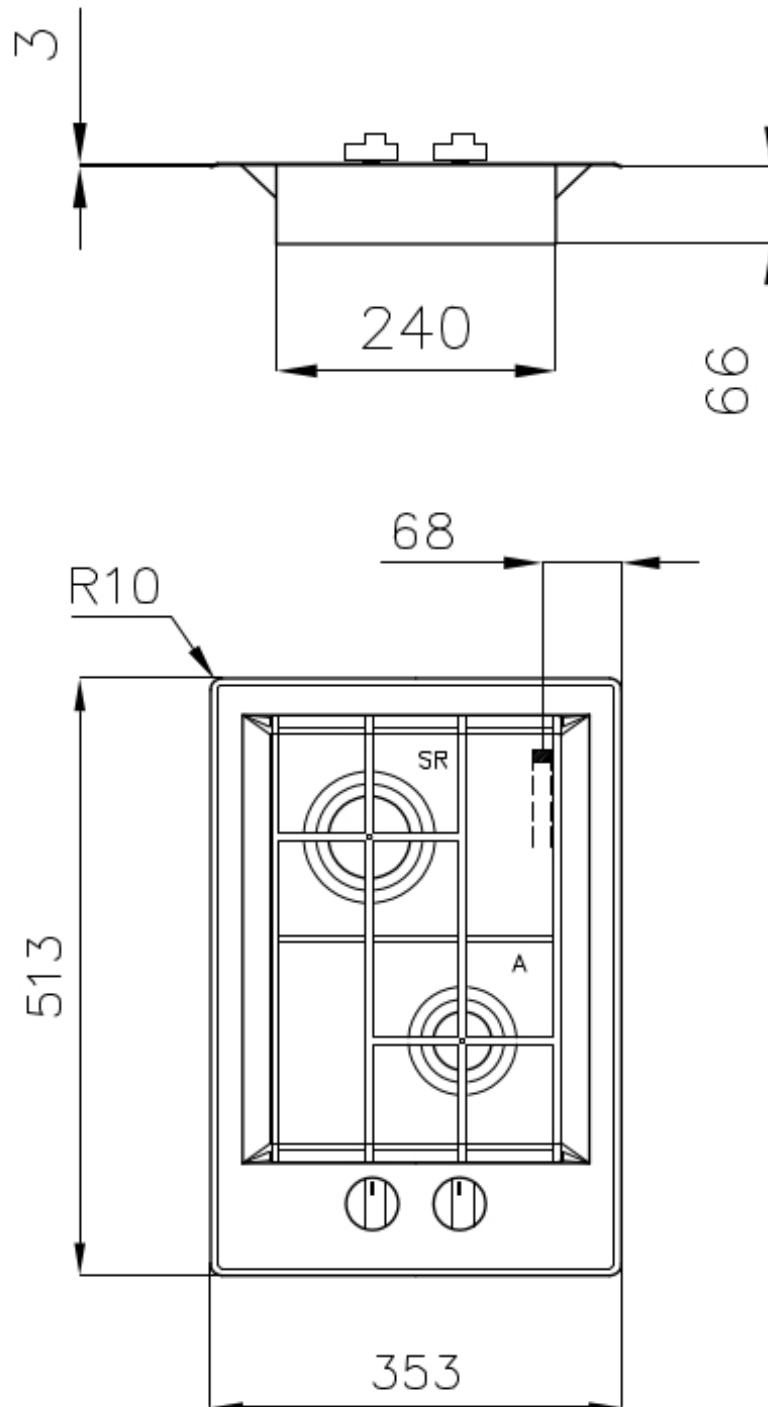
**Ultra-flat hob** Design meets functionality in the the ultra-flat models. Elegant grids that form a generously sized overall surface.

---

Under-knob ignition

The utmost freedom of movement with electronic under-knob ignition, a common feature of all models that allows a one-hand ignition of the burner.

## TECHNICAL DATA



## RECOMMENDED PAIRINGS



Hood S4000 Domino Ghost 2451  
000



Sink Quadra 1216 050