



IB RUBINETTI

Collection

REFLEX

Article

RX800

Description

Thermostatic shower column

Box Dimensions

800 x 500 x 180 mm

Weight

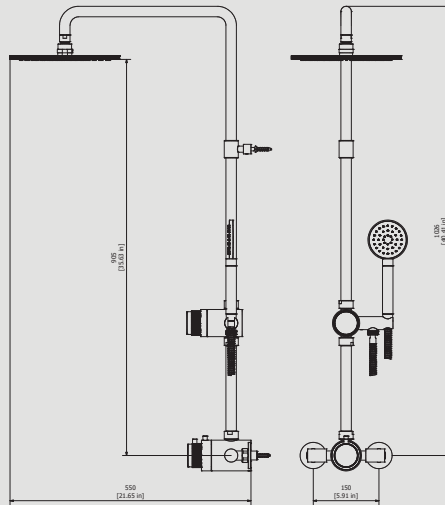
12.1 kg

Finishes

- **CC** CHROME
- **CF** BLACK CHROME
- **OO** GOLD
- **BB** ANTIQUE BRONZE
- **SS** BRUSHED NICKEL
- **CS** BRUSHED BLACK CHROME
- **BO** MATT WHITE
- **NP** MATT BLACK
- **IS** BRUSHED PALE GOLD
- **OS** BRUSHED GOLD
- **II** PALE GOLD
- **RR** ANTIQUE COPPER
- **RS** ROSE GOLD
- **ON** NATURAL BRASS
- **SR** BRUSHED ROSE GOLD
- **PL** PLATINUM



Dimensions



Cartridge

Thermostatic cartridge

Threaded fitting

G1/2" male

Aerator

Flow Rate (+/-10%)

**1 BAR
10.7 l/min**

**2 BAR
15 l/min**

**3 BAR
18.5 l/min**

Production

Main body is a machined from a solid pieces

Material

**BRASS
According to CuZn39Pb3 (CW614N)
Max Lead content: 2.5%**

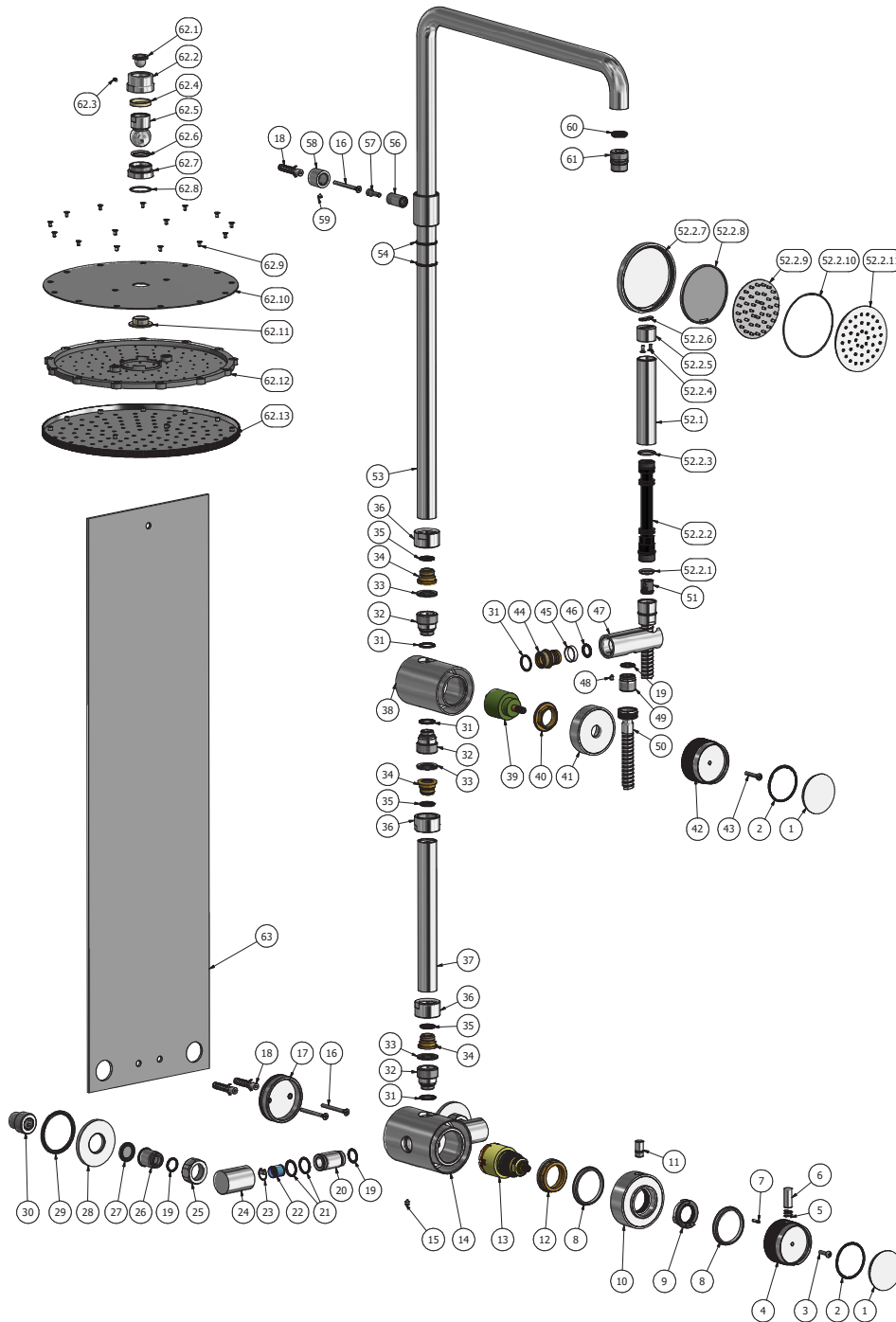
IB RUBINETTERIE s.p.a
via dei Pianotti 3/5
25068 Sarezzo (BS) - Italy -

T. +39 030 802101
F. +39 030 803097
info@ibrubinetterie.it

P.IVA 01785230986
capitale sociale
€420.000,00 i.v.

WWW.IBRUBINETTI.IT





Parts list			
ELEM	CODE	DESCRIPTION	QT
1	AC0011427	Plug Ø51.4 H8	2
2	AQ0009984	OR 43x2 NBR 70 SH	1
3	AQ0009209	Screw M4x16 ISO 7045	1
4	AC0016818	Thermo's Handle Ø55 H30 vertical knurled	1
5	AQ0010629	Spring for Thermo's handle Ø9.9 H8	1
6	AC0011573	Thermo handle hub Ø10 H24	1
7	AQ0016821	Plug Ø3 L12 ISO 8734-A	1
8	AQ0013619	With POM ring Ø49.9 H5	2
9	AQ0016745	Temperature stop ring	1
10	AC0016820	Capacity handle Ø70 H26.2	1
11	AC0016816	Red M10 H20	1
12	AS0016819	Cartridge fixing nut W42x19 H12	1
13	AQ0016744	Thermostatic coaxial cartridge	1
14	AC0012668	Thermostatic body Ø70 H90 42x19	1
15	AQ0014670	Grubscrew M5x6 cone point	1
16	AQ0010626	Inox screw Ø4 L50	3
17	AC0012669	Wall fixing insert Ø59.8 Ø52 H15	1
18	AQ0010660	Dowel fisher Ø8 L40	3
19	AQ0001390	OR 14x2 NBR 70 SH	5
20	AC0012708	Shower connection piece M19x1 H37	2
21	AQ0009841	OR 17x2 NBR 70 SH	4
22	AQ0009090	Not return valve Ø14 (31.4114.00001)	2
23	AQ0009678	Elastic ring AISI 302	2
24	AC0016814	Connection piece M19x1 Ø30 H43	2
25	AC0000710	Fixing nut G3/4" H14 CH30	2
26	AC0012709	Connection piece M19x1 Ø24 H25.5	2
27	AQ0010373	Rubber packing 3/4" H2 with filter	2
28	AS0012742	Rosette Ø60 G3/4" H5	2
29	AQ0011029	Flat gasket Ø55 Ø47 H2	2
30	AC0012657	Reduction G1/2" M G3/4" M H28	2
31	AQ0004630	OR 17.16x1.78 NBR 70 SH	4
32	AC0010038	Shower connection piece M16x1 G3/4"	3
33	AQ0001600	Gasket 24x16x2 G3/4"	3
34	AC0001931	Insert M18x1.5 sin	3
35	AQ0004600	OR 15.6x1.78 NBR 70 SH	3
36	AC0012741	Nut Ø32 H18 G3/4"	3
37	AC0012653	Pipe Ø24 M18x1.5 sin H195	1
38	AC0012870	Diverter 2 ways Ø62 H80	1
39	AQ0015603	Ceramic cartridge diverter 2 way with stop CT35	1
40	AQ0001040	Cartridge ring nut M37x1.5 H9	1
41	AC0016815	Cover Ø62 H20 M37x1.5	1
42	AC0016817	Diverter handle Ø55 H37.5 vertical knurled	1
43	AQ0010798	Inox screw M4x25	1
44	AS0011282	Connection piece for spout-out G1/2" L27.7	1
45	AQ0010435	Teflon ring Ø19.9 x 5	1
46	AQ0001360	OR 11.91x2.62 NBR 70 SH	1
47	AC0012752	Hand shower support Ø29.8 H81	1
48	AQ0010444	Grubscrew M4x6 cone point	1
49	AC0011892	Shower connection piece G1/2" M19x1 H19	1
50	AQ0009555	TERMINALE 2	1
51	AQ0013247	Flow reduction+CV Ø15 4L	1
52	AC0016742	Round handshower Ø90 H213	1
52.1	AC0016844	Knob Ø24 H 110.5	1
52.2	AQ0016231	Round handshower Ø90 H213	1
52.2	AQ0016231	OR 13.95x2.62 NBR 70 SH	2
52.2	AQ0016231	Insert for handshower G1/2"	1
52.2	AQ0016231	OR 18x2 NBR 70 SH	1
52.2	AQ0016231	Screw inox M3x8 TSP DIN7991	2
52.2	AQ0016231	Insert Ø24 M10x1 H16	1
52.2	AQ0016231	OR12x1.5 NBR 70 SH	1
52.2	AQ0016231	Handshower head Ø90	1
52.2	AQ0016231	Diffuser press cover	1
52.2	AQ0016231	Shower diffuser	1
52.2	AQ0016231	OR 80x1.3 NBR 70 SH	1
52.2	AQ0016231	Diffuser holder flange	1
53	AC0012652	Pipe Ø24 H672 L404 M18x1.5 sx G1/2" M	1
54	AQ0010972	OR 23x2 NBR 70 SH	2
55	AC0016849	Support tube Ø32 H40	1
56	AC0016850	Support tube M14x1.5 H26 Ø9	1
57	AQ0010833	Inox screw ISO 4762 M5x16	1
58	AC0012658	Wall insert fixing Ø22 H17	1
59	AQ0010117	Grubscrew M5x4 cone point	1
60	AQ0008093	OR 14x3 NBR 70 SH	1
61	AQ0012652	Junction G1/2" M22x1 H25	1
62	CPRX025C	Shower head Ø250	1
62.1	AQ0010701	Gasket Ø19 th.3 with filter	1
62.2	AQ0010701	OR 18x3 NBR 70 SH	1
62.3	AQ0010701	Grub screw inox M4x3 p.p.	1
62.4	AQ0010701		1
62.5	AQ0010701	Sphere Ø26 G 1 / 2F	1
62.6	AQ0010701	OR 18x3 NBR 70 SH	1
62.7	AQ0010701	Threaded insert Ø32 H15	1
62.8	AQ0010701	OR 24x1.5 NBR 70 SH	1
62.9	AQ0010701	Screw inox M3x6 TSP UNI 7991	15
62.10	AQ0010701	Plate Ø247.5 th.1	1
62.11	AQ0010701	Injector insert Ø30	1
62.12	AQ0010701	Diffuser	1
62.13	AC0016657	Flanged Ø250 vertical knurled	1
63	AQ0015248	Template 150x180x750	1

WARRANTY

All IB Rubinetterie SpA products are warranted for 10 years from the date of purchase, for the following cases:

- Defects of casting, porosity and chrome plating.
- Operating defects caused by incorrect fabrication.

The warranty provides for repair or replacement of products with fabrication defects recognized by our technical office. There is no other type of compensation anche the merchandise must be returned FOB our warehouse. The warranty only cover surface defects (scatches, dings, etc.) on fitting that have not been installed and used, returned in its original packaging with all components. O-ring, gasket seals and components subject to wear proportional to use are warranted for 2 years.

The warranty is void in the following cases:

Error installing and putting the product into service.

Deterioration of finisched surfaces due to use of cleaning products containing acids or abrasive substances. Deterioration of surface with finishes other than chrome plating. Their durability is, in fact, dependent on the user's care and gentleness of use.

Deterioration of the fitting due incorrect installation.

Improper repairs and maintenance performed without the company's prior authorization.

The warranty from IB Rubinetterie SpA is not renewable.

Cleaning

We recommended cleaning the finish surfaces with water and soap, using a soft cloth.

Do not use detergents that cointain hydrochloric acid or abrasive substances.

