

Symmetra™ PX with Maintenance Bypass

250/500 kW 400/480 V

Installation

3/2022



Legal Information

The Schneider Electric brand and any trademarks of Schneider Electric SE and its subsidiaries referred to in this guide are the property of Schneider Electric SE or its subsidiaries. All other brands may be trademarks of their respective owners.

This guide and its content are protected under applicable copyright laws and furnished for informational use only. No part of this guide may be reproduced or transmitted in any form or by any means (electronic, mechanical, photocopying, recording, or otherwise), for any purpose, without the prior written permission of Schneider Electric.

Schneider Electric does not grant any right or license for commercial use of the guide or its content, except for a non-exclusive and personal license to consult it on an "as is" basis. Schneider Electric products and equipment should be installed, operated, serviced, and maintained only by qualified personnel.

As standards, specifications, and designs change from time to time, information contained in this guide may be subject to change without notice.

To the extent permitted by applicable law, no responsibility or liability is assumed by Schneider Electric and its subsidiaries for any errors or omissions in the informational content of this material or consequences arising out of or resulting from the use of the information contained herein.

Table of Contents

Important Safety Instructions — SAVE THESE	
INSTRUCTIONS	5
Symbols in This Manual	5
FCC Statement	6
Safety Precautions	6
Electrical Safety	9
Battery Safety	10
Specifications	12
Single Configurations	12
Input Specifications	12
Bypass Specifications	13
Output Specifications	13
Battery Specifications	14
Fuses, Breakers, and Cables in the US	14
Fuses, Breakers, and Cables in Europe, Africa, and Asia	17
Required Breaker Settings for Input Overload and Short-Circuit	
Protection for Breakers with Electronic Trip Units	18
Environmental	19
Torque Specifications	19
Installation Procedure	20
Installation Procedure for Single Utility/Mains Systems	20
Installation Procedure for Dual Utility/Mains Systems	21
Prepare the Installation	22
Remove the Air Guide from the I/O Cabinet	22
Prepare for Cables in a Top Entry System	23
Prepare for Cables in a Bottom Entry System	25
Remove the NEMA 2 Hole Pattern Plates	26
Install the Terminal Blocks (Optional)	27
Connect Power Cables	28
Connect Input Cables in a Single Utility/Mains System	28
Connect Input Cables in a Dual Utility/Mains System	29
Connect the Bonding Jumper and Technical/System Earth	33
Connect the Bonding Jumper	33
Connect the Technical Earth	35
Install the Breaker Adapters and Breakers	36
Install the Breaker Adapters and the Breakers in the Maintenance	
Bypass	37
Connect Load to the Distribution Panel in the Maintenance Bypass	40
Connect the Communication Cables	41
Connect the Communication Cables between the Power Module and the	
I/O Cabinets in 250 kW Systems	41
Connect the Communication Cables between the Power Module and the	
I/O Cabinets in 500 kW Systems	42
Run the Communication Cables	43
EPO switch wiring	43
Connect the EPO	44

- Connect External Synchronization Cables to the Maintenance Bypass (Option) 45
- Relay Inputs/Outputs 45
- Install the Battery Solution 48**
 - Installation Procedure for the Line-Up Battery Cabinets 48
 - Installation Procedure for the Remote Battery Cabinets 48
 - Installation Procedure for Battery Breaker Cabinet 48
 - Connect the Battery Cables in Systems with Remote Batteries..... 49
 - Connect the Battery Cables in Top Cable Entry Systems..... 49
 - Connect the Battery Cables in Bottom Cable Entry Systems..... 51
 - Connect the Communication Cables between the I/O Cabinet and the Battery Cabinet..... 54
 - Connect the Communication Cables between the Battery Cabinets 55
 - Install the Battery Breaker Cabinet (Option) 56
 - Connect the Battery Cables in Systems with Line-Up Battery Breaker Cabinets 58
 - Connect the Battery Cables in Systems with Remote Battery Breaker Cabinets 59
 - Connect Communication Cables between I/O Cabinet and Battery Breaker Cabinet..... 59
 - Connect Battery Breaker Cabinet Communication Cables 60
 - Reinstall the Air Guide in the I/O Cabinet 61
- Install Seismic Option 62**
 - Replace the Side Panel Lock 62
 - Install the Rear Anchoring Brackets 64
 - Install the Front Anchoring Bracket..... 65
 - Install the Top Assembly Bracket 66
 - Install the Assembly Brackets between I/O Cabinet and the Maintenance Bypass 66
 - Install the Door Hinge Lock..... 67
 - Install the Battery Locks 68
 - Install the Bypass Static Switch..... 69
- Install the Air Filter Option in the Power Module Cabinet 70**

Important Safety Instructions — SAVE THESE INSTRUCTIONS

This manual contains important safety instructions for Symmetra PX 250 kVA UPS, Symmetra PX 500 kVA UPS, Battery Breaker Enclosure, and QSBPPX-QMLE916 Maintenance Bypass Panel that should be followed during installation and maintenance of the UPS and batteries.

Read these instructions carefully and look at the equipment to become familiar with it before trying to install, operate, service or maintain it. The following safety messages may appear throughout this manual or on the equipment to warn of potential hazards or to call attention to information that clarifies or simplifies a procedure.

Symbols in This Manual



The addition of this symbol to a “Danger” or “Warning” safety message indicates that an electrical hazard exists which will result in personal injury if the instructions are not followed.



This is the safety alert symbol. It is used to alert you to potential personal injury hazards. Obey all safety messages with this symbol to avoid possible injury or death.

DANGER

DANGER indicates a hazardous situation which, if not avoided, **will result in death or serious injury**.

Failure to follow these instructions will result in death or serious injury.

WARNING

WARNING indicates a hazardous situation which, if not avoided, **could result in death or serious injury**.

Failure to follow these instructions can result in death, serious injury, or equipment damage.

CAUTION

CAUTION indicates a hazardous situation which, if not avoided, **could result in minor or moderate injury**.

Failure to follow these instructions can result in injury or equipment damage.

NOTICE

NOTICE is used to address practices not related to physical injury. The safety alert symbol shall not be used with this type of safety message.

Failure to follow these instructions can result in equipment damage.

Please Note

Electrical equipment should only be installed, operated, serviced, and maintained by qualified personnel. No responsibility is assumed by Schneider Electric for any consequences arising out of the use of this material.

A qualified person is one who has skills and knowledge related to the construction, installation, and operation of electrical equipment and has received safety training to recognize and avoid the hazards involved.

FCC Statement

NOTE: This equipment has been tested and found to comply with the limits for a Class A digital device, pursuant to Part 15 of the FCC Rules. These limits are designed to provide reasonable protection against harmful interference when the equipment is operated in a commercial environment. This equipment generates, uses, and can radiate radio frequency energy and, if not installed and used in accordance with the instruction manual, may cause harmful interference to radio communications. Operation of this equipment in a residential area is likely to cause harmful interference in which case the user will be required to correct the interference at his own expense.

Any changes or modifications not expressly approved by the party responsible for compliance could void the user's authority to operate the equipment.

Safety Precautions

⚠ DANGER

HAZARD OF ELECTRIC SHOCK, EXPLOSION, OR ARC FLASH

All safety instructions in this document must be read, understood and followed.

Failure to follow these instructions will result in death or serious injury.

⚠ DANGER

HAZARD OF ELECTRIC SHOCK, EXPLOSION, OR ARC FLASH

Read all instructions in the Installation Manual before installing or working on this UPS system.

Failure to follow these instructions will result in death or serious injury.

⚠ DANGER

HAZARD OF ELECTRIC SHOCK, EXPLOSION, OR ARC FLASH

Do not install the UPS system until all construction work has been completed and the installation room has been cleaned.

Failure to follow these instructions will result in death or serious injury.

⚠ DANGER

HAZARD OF ELECTRIC SHOCK, EXPLOSION, OR ARC FLASH

- The product must be installed according to the specifications and requirements as defined by Schneider Electric. It concerns in particular the external and internal protections (upstream breakers, battery breakers, cabling, etc.) and environmental requirements. No responsibility is assumed by Schneider Electric if these requirements are not respected.
- After the UPS system has been electrically wired, do not start up the system. Start-up must only be performed by Schneider Electric.

Failure to follow these instructions will result in death or serious injury.

⚠ DANGER

HAZARD OF ELECTRIC SHOCK, EXPLOSION, OR ARC FLASH

The UPS system must be installed according to local and national regulations. Install the UPS according to:

- IEC 60364 (including 60364-4-41 - protection against electric shock, 60364-4-42 - protection against thermal effect, and 60364-4-43 - protection against overcurrent), **or**
- NEC NFPA 70, **or**
- Canadian Electrical Code (C22.1, Part 1)

depending on which one of the standards apply in your local area.

Failure to follow these instructions will result in death or serious injury.

⚠ DANGER

HAZARD OF ELECTRIC SHOCK, EXPLOSION, OR ARC FLASH

- Install the UPS system in a temperature controlled indoor environment free of conductive contaminants and humidity.
- Install the UPS system on a non-flammable, level and solid surface (e.g. concrete) that can support the weight of the system.

Failure to follow these instructions will result in death or serious injury.

⚠ DANGER

HAZARD OF ELECTRIC SHOCK, EXPLOSION, OR ARC FLASH

The UPS is not designed for and must therefore not be installed in the following unusual operating environments:

- Damaging fumes
- Explosive mixtures of dust or gases, corrosive gases, or conductive or radiant heat from other sources
- Moisture, abrasive dust, steam or in an excessively damp environment
- Fungus, insects, vermin
- Salt-laden air or contaminated cooling refrigerant
- Pollution degree higher than 2 according to IEC 60664-1
- Exposure to abnormal vibrations, shocks, and tilting
- Exposure to direct sunlight, heat sources, or strong electromagnetic fields

Failure to follow these instructions will result in death or serious injury.

⚠ DANGER**HAZARD OF ELECTRIC SHOCK, EXPLOSION, OR ARC FLASH**

Do not drill or cut holes for cables or conduits with the gland plates installed and do not drill or cut holes in close proximity to the UPS.

Failure to follow these instructions will result in death or serious injury.

⚠ WARNING**HAZARD OF ARC FLASH**

Do not make mechanical changes to the product (including removal of cabinet parts or drilling/cutting of holes) that are not described in the Installation Manual.

Failure to follow these instructions can result in death, serious injury, or equipment damage.

NOTICE**RISK OF OVERHEATING**

Respect the space requirements around the UPS system and do not cover the product's ventilation openings when the UPS system is in operation.

Failure to follow these instructions can result in equipment damage.

NOTICE**RISK OF EQUIPMENT DAMAGE**

Do not connect the UPS output to regenerative load systems including photovoltaic systems and speed drives.

Failure to follow these instructions can result in equipment damage.

Electrical Safety

⚠ DANGER

HAZARD OF ELECTRIC SHOCK, EXPLOSION OR ARC FLASH

- Electrical equipment must be installed, operated, serviced, and maintained only by qualified personnel.
- The UPS system must be installed in a room with restricted access (qualified personnel only).
- Apply appropriate personal protective equipment (PPE) and follow safe electrical work practices.
- Turn off all power supplying the UPS system before working on or inside the equipment.
- Before working on the UPS system, check for hazardous voltage between all terminals including the protective earth.
- The UPS contains an internal energy source. Hazardous voltage can be present even when disconnected from the utility/mains supply. Before installing or servicing the UPS system, ensure that the units are OFF and that utility/mains and batteries are disconnected. Wait five minutes before opening the UPS to allow the capacitors to discharge.
- A disconnection device (e.g. disconnection circuit breaker or switch) must be installed to enable isolation of the system from upstream power sources in accordance with local regulations. This disconnection device must be easily accessible and visible.
- The UPS must be properly earthed/grounded and due to a high leakage current, the earthing/grounding conductor must be connected first.

Failure to follow these instructions will result in death or serious injury.

⚠ DANGER

HAZARD OF ELECTRIC SHOCK, EXPLOSION, OR ARC FLASH

In systems where backfeed protection is not part of the standard design, an automatic isolation device (backfeed protection option or other device meeting the requirements of IEC/EN 62040-1 or UL 1778 5th Edition – depending on which of the two standards apply to your local area) must be installed to prevent hazardous voltage or energy at the input terminals of the isolation device. The device must open within 15 seconds after the upstream power supply fails and must be rated according to the specifications.

Failure to follow these instructions will result in death or serious injury.

When the UPS input is connected through external isolators that, when opened, isolate the neutral or when the automatic backfeed isolation is provided external to the equipment or is connected to an IT power distribution system, a label must be fitted at the UPS input terminals, and on all primary power isolators installed remote from the UPS area and on external access points between such isolators and the UPS, by the user, displaying the following text (or equivalent in a language which is acceptable in the country in which the UPS system is installed):

⚠ DANGER

HAZARD OF ELECTRIC SHOCK, EXPLOSION, OR ARC FLASH

Risk of Voltage Backfeed. Before working on this circuit: Isolate the UPS and check for hazardous voltage between all terminals including the protective earth.

Failure to follow these instructions will result in death or serious injury.

Battery Safety

DANGER

HAZARD OF ELECTRIC SHOCK, EXPLOSION, OR ARC FLASH

- Battery circuit breakers must be installed according to the specifications and requirements as defined by Schneider Electric.
- Servicing of batteries must only be performed or supervised by qualified personnel knowledgeable of batteries and the required precautions. Keep unqualified personnel away from batteries.
- Disconnect charging source prior to connecting or disconnecting battery terminals.
- Do not dispose of batteries in a fire as they can explode.
- Do not open, alter, or mutilate batteries. Released electrolyte is harmful to the skin and eyes. It may be toxic.

Failure to follow these instructions will result in death or serious injury.

DANGER

HAZARD OF ELECTRIC SHOCK, EXPLOSION, OR ARC FLASH

Batteries can present a risk of electric shock and high short-circuit current. The following precautions must be observed when working on batteries

- Remove watches, rings, or other metal objects.
- Use tools with insulated handles.
- Wear protective glasses, gloves and boots.
- Do not lay tools or metal parts on top of batteries.
- Disconnect the charging source prior to connecting or disconnecting battery terminals.
- Determine if the battery is inadvertently grounded. If inadvertently grounded, remove source from ground. Contact with any part of a grounded battery can result in electric shock. The likelihood of such shock can be reduced if such grounds are removed during installation and maintenance (applicable to equipment and remote battery supplies not having a grounded supply circuit).

Failure to follow these instructions will result in death or serious injury.

DANGER

HAZARD OF ELECTRIC SHOCK, EXPLOSION, OR ARC FLASH

When replacing batteries, always replace with the same type and number of batteries or battery packs.

Failure to follow these instructions will result in death or serious injury.

▲ CAUTION

RISK OF EQUIPMENT DAMAGE

- Mount the batteries in the UPS system, but do not connect the batteries until the UPS system is ready to be powered up. The time duration from battery connection until the UPS system is powered up must not exceed 72 hours or 3 days.
- Batteries must not be stored more than six months due to the requirement of recharging. If the UPS system remains de-energized for a long period, we recommend that you energize the UPS system for a period of 24 hours at least once every month. This charges the batteries, thus avoiding irreversible damage.

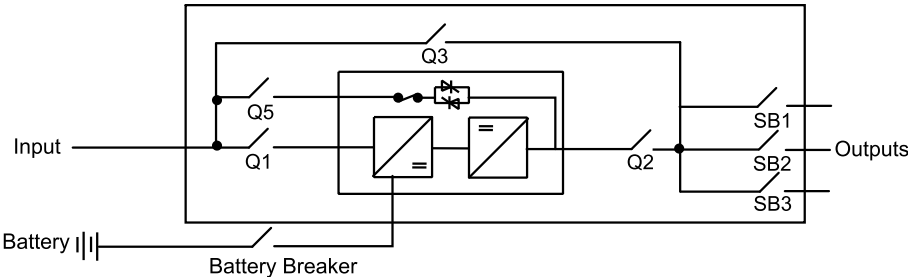
Failure to follow these instructions can result in injury or equipment damage.

Specifications

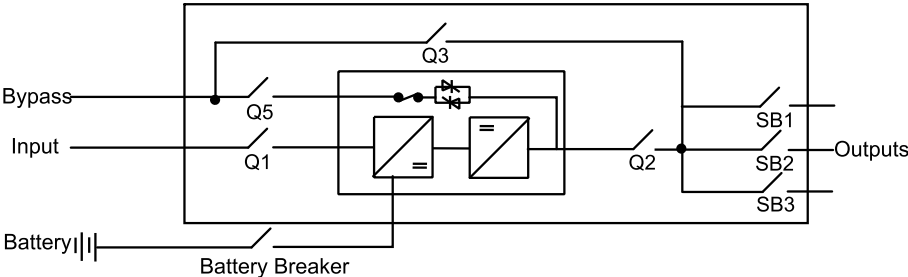
Single Configurations

NOTICE
HAZARD OF EQUIPMENT DAMAGE
The neutral connection to utility/mains must not be disconnected even in battery operation. Therefore 4-pole disconnectors/switches must not be used on the bypass.
Failure to follow these instructions can result in equipment damage.

Single Utility/Mains with Maintenance Bypass



Dual Utility/Mains with Maintenance Bypass



Input Specifications

	250 kW				500 kW			
Input voltage (V)	380 ¹	400	415	480	380 ¹	400	415	480
Voltage range (v)	+/-15% at 100% load (340 - 460 V at 400 V, 408 - 552 V at 480 V) -50% for reduced load (200 V at 400 V, 240 V at 480 V)							
Input frequency (Hz)	40-70 with 10 Hz/sec slewrate							
THDI	< 5% at 100% load							
Nominal input current (A) ²	398	378	364	315	795	756	728	630
Maximum input current (A) ³	437	416	401	346	875	831	801	693
Input current limitation (A) ⁴	447	447	431	372	894	894	861	745

1. 380 V has reduced input voltage window (-10% at 100% load).
 2. Input current based on rated load and 100% charged batteries.
 3. Input current based on 100% battery recharge, nominal voltage and rated load.
 4. Current limitation through electronic current limiting is based on 100% battery recharge and -15% input voltage.

	250 kW				500 kW			
Input voltage (V)	380⁵	400	415	480	380¹	400	415	480
Maximum short circuit level I _{cw} (kA)	Rated short time withstand current I _{cw} : 65 kA. (50 kA with standard maintenance bypass) Rated peak withstand current I _{pk} : I _{cw} x 2.2							
Input power factor correction	0.995 at load = 100% 0.99 at load > 50% 0.97 at load > 25%							
Softstart (ramp-in) (seconds)	Configurable from 1 to 40 (default 10)							

Bypass Specifications

	250 kW				500 kW			
	380 V	400 V	415 V	480 V	380 V	400 V	415 V	480 V
Frequency (Hz)	50/60							
Nominal bypass current (A)	380	361	348	301	760	722	696	601
Maximum short circuit level I _{cw} (kA)	Rated short time withstand current I _{cw} : 65 kA. (50 kA with standard maintenance bypass) Rated peak withstand current I _{pk} : I _{cw} x 2.2							

Output Specifications

	250 kW				500 kW			
	380 V	400 V	415 V	480 V	380 V	400 V	415 V	480 V
Overload capacity	150% for 60 seconds (normal operation) 125% for 10 minutes (normal operation) 150% for 60 seconds (battery operation) 125% for 10 minutes (battery operation) 125% continuous at 480 V and 110% continuous at 400 V (bypass operation) ⁶ 1000% for 100 milliseconds (bypass operation)							
Voltage tolerance	Symmetric load (0-100%): +/-1% static, +/-5% after 2 milliseconds and +/-1% after 50 milliseconds dynamic Asymmetric load (0-100%): +/-3% static							
Nominal output current (A)	380	361	348	301	760	722	696	601
Output frequency (sync to mains) (Hz)	50/60							
Slew rate (Hz/Sec)	0.25 - 6							
THDU	< 2% linear load < 3% non-linear load							
Output power factor	1							
Dynamic load response	+/- 5%							

5. 380 V has reduced input voltage window (-10% at 100% load).

6. This is a thermal performance rating. The continuous overload is not supported by the recommended input protection of the maintenance bypass.

Battery Specifications

	250 kW	500 kW
Nominal battery voltage (VDC)	2 x +/- 288	
Battery current at 100% load and nominal battery voltage (A)	452	904
Battery current at 100% load and minimum battery voltage (A)	565	1130
End voltage (V)	1.6–1.75/cell (automatic, depending on load)	
Short-circuit withstand rating (kA)	40	

The UPS supports customer-specific battery solutions with 144 cells (+/- 6 cells) for runtime optimization. The display has settings for number of cells on DC voltage levels (V/cell).

Battery type	Sealed lead acid/wet cells
Nominal voltage (VDC)	+/- 276 to +/- 300
Float voltage (VDC)	+/- 308 to +/- 345
Boost charge voltage (VDC)	+/- 308 to +/- 345
Equalize charge voltage (VDC)	+/- 308 to +/- 345
End of discharge voltage at 100% load (VDC)	+/- 221 to +/- 263
Charging power	20% of nominal power at 0–90% load 10% of nominal power at 100% load
Typical recharge time	3.5 hours

Fuses, Breakers, and Cables in the US

In single utility/mains systems, supply the UPS from a grounded 4–wire WYE service.

In dual utility/mains systems, use a 4–wire supply for the bypass and a 3–wire supply for the input.

Schneider Electric also supports 3–wire installations if the utility transformer is a grounded WYE transformer located in the same building. In this installation, the UPS system must be installed as a separately derived system. Please refer to section [Connect the Bonding Jumper and Technical/System Earth](#), page 33. Leakage currents will occur in the bonding jumper and the technical/system earth.

NOTICE

HAZARD OF EQUIPMENT DAMAGE

In 3–wire systems, Schneider Electric recommends that you add a label with the following wording: “Warning! The UPS is installed as a 3–wire system so the system must only be loaded with phase-to-phase load.

Failure to follow these instructions can result in equipment damage.

NOTE: 3–wire installation using bonding wire will result in a higher leakage current. Leakage current for typical installation are usually within UL and industry standard requirements.

Recommended Fuses, Breakers, and Cable Sizes

⚠ DANGER

HAZARD OF ELECTRIC SHOCK, EXPLOSION, OR ARC FLASH

The product must be installed according to the specifications and requirements as defined by Schneider Electric. It concerns in particular the external and internal protections (upstream circuit breakers, battery circuit breakers, cabling, etc.) and environmental requirements. No responsibility is assumed by Schneider Electric if these requirements are not respected.

Failure to follow these instructions will result in death or serious injury.

⚠ DANGER

HAZARD OF ELECTRIC SHOCK, EXPLOSION OR ARC FLASH

All wiring must comply with all applicable national and/or local electrical codes.

Failure to follow these instructions will result in death or serious injury.

⚠ DANGER

HAZARD OF ELECTRIC SHOCK, EXPLOSION OR ARC FLASH

Appropriate disconnect devices must be provided external to the equipment.

Failure to follow these instructions will result in death or serious injury.

NOTE: See Required Breaker Settings for Input Overload and Short-Circuit Protection for Breakers with Electronic Trip Units, page 18 for information on breaker settings.

Temperature rating of conductors: 90 °C/194 °F. Refer to table 310-16 of NEC, 75 °C column for maximum ampacity. Use only copper conductors.

Equipment grounding conductors are sized in accordance with NEC Article 250-122 and Table 250-122.

The cable sizes are recommendations for maximum configurations with three current carrying conductors. For other configurations see the label inside the front door of the I/O cabinet.

NOTE: A separate 800 A protection device for bypass (similar to dual mains) is required for single utility/mains systems from 450 kW 400 V or 475 kW 415 V.

250 kW Systems

Installations with 100% Rated Circuit Breakers or Fuses

	400 V		415 V		480 V	
	OCPD (A)	Cable	OCPD (A)	Cable	OCPD (A)	Cable
Input Q1	450	2 x 4/0	450	2 x 4/0	400	1 x 500
Bypass Q5 ⁷	400	2 x 2/0	350	2x2/0	350	2 x 2/0
Battery ⁸	500	2 x 4/0	500	2 x 4/0	500	2 x 4/0
Output Q2	400	1 x 500	350	1 x 500	350	1 x 350

Use breaker or class J or class L fuses.

7. Maximum input protection is 800 A and the maximum cable size is 250 kcmil.

8. If the UPS system includes a battery breaker cabinet and has one or multiple battery strings, each individual string must have a correctly sized fast fuse installed to ensure fast isolation of the battery.

Installations with 80% Rated Circuit Breakers

	400 V		415 V		480 V	
	OCPD (A)	Cable	OCPD (A)	Cable	OCPD (A)	Cable
Input Q1	600	2 x 300	600	2 x 250	450	2 x 4/0
Bypass Q5 ⁹	500	2 x 4/0	450	2 x 4/0	400	2 x 3/0
Battery ¹⁰	500	2 x 4/0	500	2 x 4/0	500	2 x 4/0
Output Q2	500	2 x 4/0	450	2 x 4/0	400	1 x 500

500 kW Systems**Installations with 100% Rated Circuit Breakers or Fuses**

	400 V		415 V		480 V	
	OCPD (A)	Cable	OCPD (A)	Cable	OCPD (A)	Cable
Input Q1	1000	3 x 400	1000	3 x 400	800	2 x 500
Bypass Q5 ⁹	800	3 x 250	700	3 x 250	700	3 x 4/0
Battery ¹⁰	1000	3 x 400	1000	3 x 400	1000	3 x 400
Output Q2	800	2 x 500	700	2 x 500	700	2 x 350

Use breaker or class J or class L fuses.

Installations with 80% Rated Circuit Breakers

	400 V		415 V		480 V	
	OCPD (A)	Cable	OCPD (A)	Cable	OCPD (A)	Cable
Input Q1	1200	4 x 350	1200	4 x 350	1000	3 x 400
Bypass Q5 ⁹	Not allowed		Not allowed		800	3 x 250
Battery ¹⁰	1000	3 x 400	1000	3 x 400	1000	3 x 400
Output Q2	Not allowed		Not allowed		800	2 x 500

Recommended Bolt and Lug Sizes

Cable size	Terminal bolt diameter	Single Hole lug	NEMA 2 Lug	Crimping tool/die
4/0 AWG	M10	LCA 4/0-12-X	LCD 4/0-12-X	CT-720/CD-720-3
250 kcmil	M10	LCA250-12-X	LCD250-12-X	CT-720/CD-720-3
300 kcmil	M10	LCA300-12-X	LCD300-12-X	CT-720/CD-720-4
350 kcmil	M10	LCA350-12-X	LCD350-12-X	CT-720/CD-720-5
400 kcmil	M10	LCA400-12-6	LCD400-12-6	CT-720/CD-720-6
500 kcmil	M10	LCA500-12-6	LCD500-12-6	CT-720/CD-720-7

9. Maximum input protection is 800 A and the maximum cable size is 250 kcmil.

10. If the UPS system includes a battery breaker cabinet and has one or multiple battery strings, each individual string must have a correctly sized fast fuse installed for correct isolation of the battery.

Fuses, Breakers, and Cables in Europe, Africa, and Asia

⚠ DANGER

HAZARD OF ELECTRIC SHOCK, EXPLOSION, OR ARC FLASH

The product must be installed according to the specifications and requirements as defined by Schneider Electric. It concerns in particular the external and internal protections (upstream circuit breakers, battery circuit breakers, cabling, etc.) and environmental requirements. No responsibility is assumed by Schneider Electric if these requirements are not respected.

Failure to follow these instructions will result in death or serious injury.

⚠ DANGER

HAZARD OF ELECTRIC SHOCK, EXPLOSION OR ARC FLASH

All wiring must comply with all applicable national and/or local electrical codes.

Failure to follow these instructions will result in death or serious injury.

⚠ DANGER

HAZARD OF ELECTRIC SHOCK, EXPLOSION OR ARC FLASH

Appropriate disconnect devices must be provided external to the equipment.

Failure to follow these instructions will result in death or serious injury.

NOTE: See Required Breaker Settings for Input Overload and Short-Circuit Protection for Breakers with Electronic Trip Units, page 18 for breaker settings.

Supply the UPS from a 5-wire TN-S system (L1, L2, L3, N, PE).

The recommended cable sizes are based on an environment with an ambient temperature of 40 °C (104 °F). Temperature ratings of conductors: 90 °C (194 °F).

Refer to IEC 60364-5-52 for installation methods. The cable sizes are recommendations for maximum configurations and copper cables. For other system size configurations see label inside of I/O cabinet front door.

Recommended Cable Sizes in Systems with Breaker Protection

Installation method	OCPD (A)	B1 (mm ²)	B2 (mm ²)	C (mm ²)	OCPD (A)	B1 (mm ²)	B2 (mm ²)	C (mm ²)
	400 V				415 V			
	250 kW							
Input	400 ¹¹	2 x 95	2 x 120	2 x 95	400 ¹¹	2 x 95	2 x 120	2 x 95
Bypass	400	2 x 95	2 x 120	2 x 95	355	2 x 95	2 x 120	2 x 95
Battery ¹²	500	1 x 120	3 x 95	2 x 95	500	1 x 120	3 x 95	2 x 95
Output	400	2 x 95	2 x 120	2 x 95	355	2 x 95	2 x 120	2 x 95
	500 kW							
Input	800	4 x 120	-	3 x 150	800 ¹¹	4 x 120	-	3 x 150
Bypass	800	4 x 120	-	3 x 150	800	4 x 120	-	3 x 150

11. Breaker must comply with IEC 60947-2 which guarantees a non-tripping current of 1,05 times current setting for 2 hours. Alternative breaker size must be higher than stated current.
 12. If the UPS system includes a battery breaker cabinet and has one or multiple battery strings, each individual string must have a correctly sized fast fuse installed for correct isolation of the battery.

Recommended Cable Sizes in Systems with Breaker Protection (Continued)

Installation method	OCPD (A)	B1 (mm ²)	B2 (mm ²)	C (mm ²)	OCPD (A)	B1 (mm ²)	B2 (mm ²)	C (mm ²)
	400 V				415 V			
Battery ¹³	1000	-	-	3 x 240	1000	-	-	3 x 240
Output	800	4 x 120	-	3 x 150	800	4 x 120	-	3 x 150

Recommended Cable Sizes in Systems with Fuse Protection

Installation method	OCPD (A)	B1 (mm ²)	B2 (mm ²)	C (mm ²)	OCPD (A)	B1 (mm ²)	B2 (mm ²)	C (mm ²)
	400 V				415 V			
	250 kW							
Input	500	2 x 95	2 x 120	2 x 150	400 ¹⁴	2 x 95	2 x 120	2 x 95
Bypass	400	2 x 95	2 x 120	2 x 95	355	2 x 95	2 x 95	1 x 185
Battery ¹³	500	1 x 120	3 x 95	2 x 95	500	1 x 120	3 x 95	2 x 95
Output	400	2 x 95	2 x 120	2 x 95	355	2 x 95	2 x 95	1 x 185
	500 kW							
Input	1000	-	-	4 x 150	1000	-	-	4 x 150
Bypass ¹⁵	800	4 x 120	-	3 x 150	800	4 x 120	-	3 x 150
Battery ¹³	1000	-	-	3 x 240	1000	-	-	3 x 240
Output	800	4 x 120	-	3 x 150	800	4 x 120	-	3 x 150

Required Breaker Settings for Input Overload and Short-Circuit Protection for Breakers with Electronic Trip Units

Single Utility/Mains Installation (Common Input and Bypass Breaker)

	Input Breaker
In	Maximum input current
STPU	$I_n \times A$ ($3 < A < 4$)
STD	Maximum 100 ms
LTD	Maximum $3 \times I_n$ in 5s
linst	$I_n \times 5$

Dual Utility/Mains Installation (Separate Input and Bypass Breaker)

	Input Breaker	Bypass Breaker
In	Maximum input current	Maximum input current
STPU	$I_n \times A$ ($3 < A < 4$)	$I_n \times B$ ($10 < B < 12$)
STD	Maximum 100 ms	Maximum 100 ms
LTD	Maximum $3 \times I_n$ in 5s	Maximum $3 \times I_n$ in 5s
linst	$I_n \times 5$	$I_n \times 15$

13. If the UPS system includes a battery breaker cabinet and has one or multiple battery strings, each individual string must have a correctly sized fast fuse installed for correct isolation of the battery.

14. Breaker must comply with IEC 60947-2 which guarantees a non-tripping current of 1,05 times current setting for 2 hours. Alternative breaker size must be higher than stated current.

15. Maximum input protection 800 A

Environmental

Operating Temperature	0 to 40° C
Storage Temperature	-15 to 40° C for systems with batteries -30 to 70° C for systems without batteries
Operating Relative Humidity	0 - 95%
Storage Relative Humidity	0 - 95%
Operating Elevation	0-1000 m: 100% load 1000–1500 m: 95% load 1500–2000 m: 91% load 2000–2500 m: 86% load 2500–3000 m: 82% load
Storage Elevation	0-15000 meters
Audible noise at 1 meter from surface of unit @ 25° C	480 V 100% load: <54 dBA 480 V 70% load: <45 dBA 400 V 100% load: <60 dBA 400 V 70% load: <49 dBA
Protection Class	NEMA 1, IP 20
Colour	Black

Torque Specifications

Bolt size M8	Bolt size M10
13.5 Nm	30 Nm

Installation Procedure

Schneider Electric recommends to run the output cables out of the top of the maintenance bypass but it is also possible to run the cables out of the bottom. The running of the output cable does not impact the routing of the input and bypass cables.

Installation Procedure for Single Utility/Mains Systems

1. Remove the Air Guide from the I/O Cabinet, page 22.
2. Prepare for cables. Follow one of the procedures:
 - Prepare for Cables in a Top Entry System, page 23.
 - Prepare for Cables in a Bottom Entry System, page 25.
3. In installations where NEMA 2 hole pattern is not used, Remove the NEMA 2 Hole Pattern Plates, page 26.
4. In installations where terminal blocks are used, Install the Terminal Blocks (Optional), page 27.
5. Connect Input Cables in a Single Utility/Mains System, page 28.
6. In 3–wire systems in the US only, Connect the Bonding Jumper, page 33.
7. In 3–wire systems in the US and 5–wire systems in the Europe, Africa, and Asia, Connect the Technical Earth, page 35.
8. Install the Breaker Adapters and the Breakers in the Maintenance Bypass, page 37.
9. Connect Load to the Distribution Panel in the Maintenance Bypass, page 40.
10. Connect communication cables between the power module cabinet and the I/O cabinet. Follow one of the procedures:
 - Connect the Communication Cables between the Power Module and the I/O Cabinets in 250 kW Systems , page 41.
 - Connect the Communication Cables between the Power Module and the I/O Cabinets in 500 kW Systems, page 42.
11. Connect the EPO, page 44.
12. **Option:** Connect External Synchronization Cables to the Maintenance Bypass (Option), page 45.
13. Install the Battery Solution, page 48.
14. Reinstall the Air Guide in the I/O Cabinet, page 61.
15. **Option:** Install Seismic Option, page 62.
16. **Option:** Install the Air Filter Option in the Power Module Cabinet, page 70.

Installation Procedure for Dual Utility/Mains Systems

1. Remove the Air Guide from the I/O Cabinet, page 22.
2. Prepare for cables. Follow one of the procedures:
 - Prepare for Cables in a Top Entry System, page 23.
 - Prepare for Cables in a Bottom Entry System, page 25.
3. In installations where NEMA 2 hole pattern is not used, Remove the NEMA 2 Hole Pattern Plates, page 26.
4. In installations where terminal blocks are used, Install the Terminal Blocks (Optional), page 27.
5. Connect Input Cables in a Dual Utility/Mains System, page 29.
6. In 3–wire systems in the US only, Connect the Bonding Jumper, page 33.
7. In 3–wire systems in the US and 5–wire systems in the Europe, Africa, and Asia, Connect the Technical Earth, page 35.
8. Install the Breaker Adapters and the Breakers in the Maintenance Bypass, page 37.
9. Connect Load to the Distribution Panel in the Maintenance Bypass, page 40.
10. Connect communication cables between the power module cabinet and the I/O cabinet. Follow one of the procedures:
 - Connect the Communication Cables between the Power Module and the I/O Cabinets in 250 kW Systems , page 41.
 - Connect the Communication Cables between the Power Module and the I/O Cabinets in 500 kW Systems, page 42.
11. Connect the EPO, page 44.
12. Option: Connect External Synchronization Cables to the Maintenance Bypass (Option), page 45.
13. Install the Battery Solution, page 48.
14. Reinstall the Air Guide in the I/O Cabinet, page 61.
15. Option: Install Seismic Option, page 62.
16. Option: Install the Air Filter Option in the Power Module Cabinet, page 70.

Prepare the Installation

⚠ DANGER

HAZARD OF ELECTRIC SHOCK, EXPLOSION, OR ARC FLASH

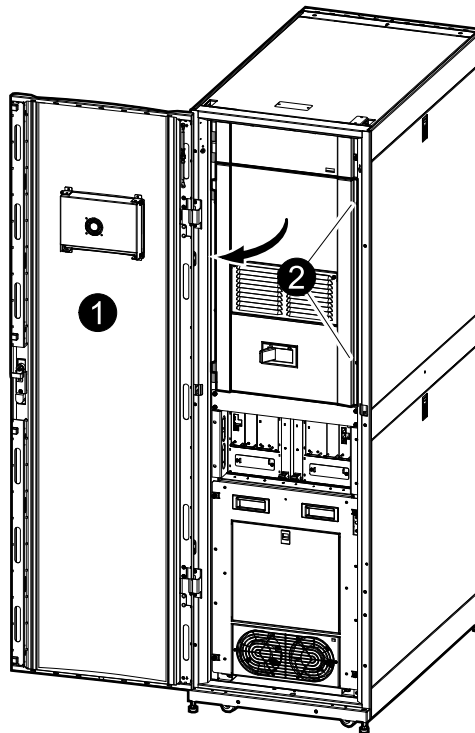
Do not drill or cut holes for cables or conduits with the covers installed and do not drill in close proximity to the UPS.

Failure to follow these instructions will result in death or serious injury.

Remove the Air Guide from the I/O Cabinet

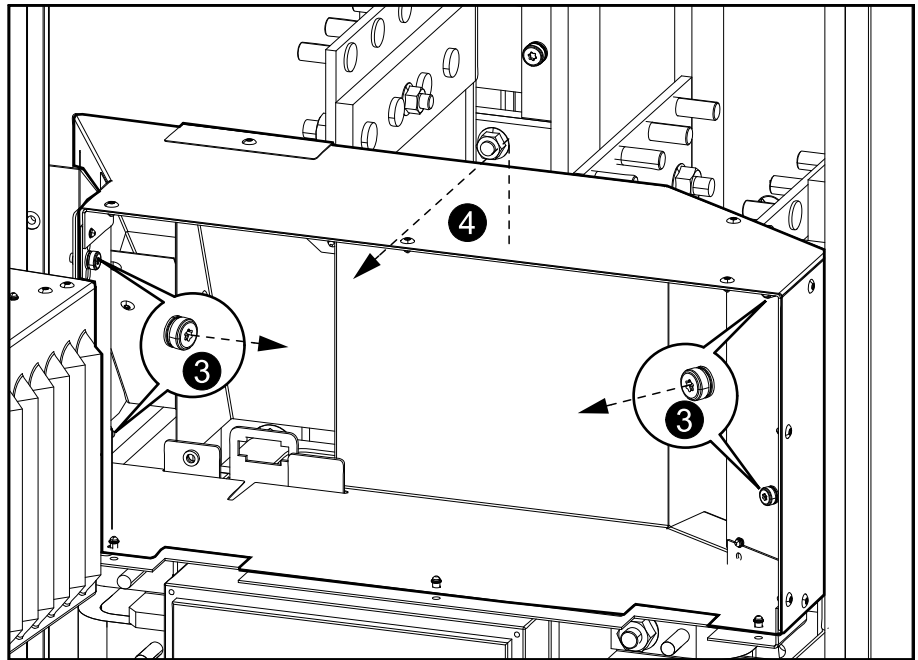
1. Open the front door of the I/O cabinet.
2. Remove the two screws in the right side of the inner door and open the inner door.

Front View of I/O Cabinet



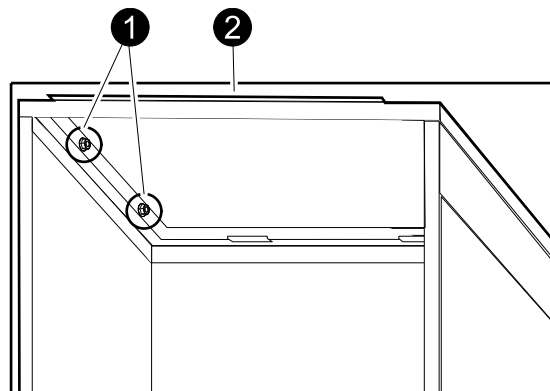
3. Remove the four screws from the air guide as shown.

4. Lift the air guide up and remove it.



Prepare for Cables in a Top Entry System

I/O Cabinet



1. From the inside of the I/O cabinet, loosen the four screws.
2. Lift up the front of the top cover and slide it out.
3. Drill/punch holes for cables.
4. Refit the cover and install conduits (if applicable).

⚠ DANGER

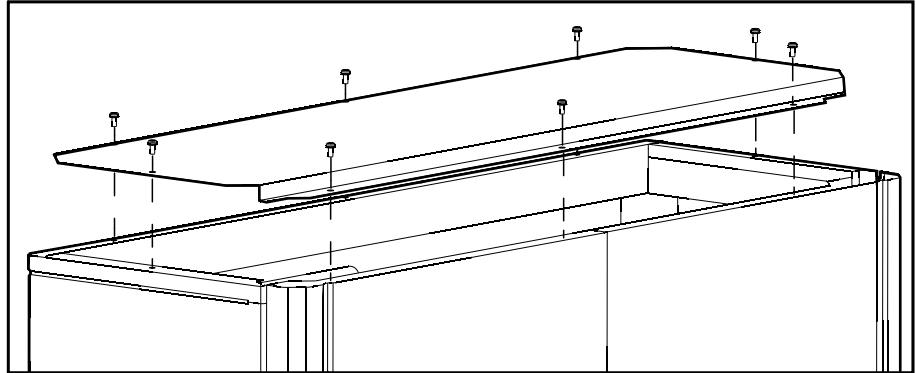
HAZARD OF ELECTRIC SHOCK, EXPLOSION, OR ARC FLASH

Ensure that there are no sharp edges that can damage the cables.

Failure to follow these instructions will result in death or serious injury.

- Remove the top cover of the maintenance bypass by loosening the eight M5 screws.

Maintenance Bypass



- Drill/punch holes for cables.
- Refit the cover and install conduits (if applicable).

⚠ DANGER

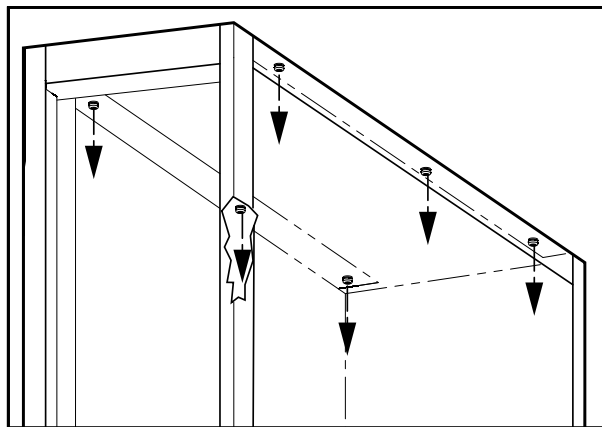
HAZARD OF ELECTRIC SHOCK, EXPLOSION, OR ARC FLASH

Ensure that there are no sharp edges that can damage the cables.

Failure to follow these instructions will result in death or serious injury.

- From the inside of the battery side car, loosen the six nuts.

Battery Side Car



- Lift off the top cover.
- Drill/punch holes for cables.
- Refit the cover and install conduits (if applicable).

⚠ DANGER

HAZARD OF ELECTRIC SHOCK, EXPLOSION, OR ARC FLASH

Ensure that there are no sharp edges that can damage the cables.

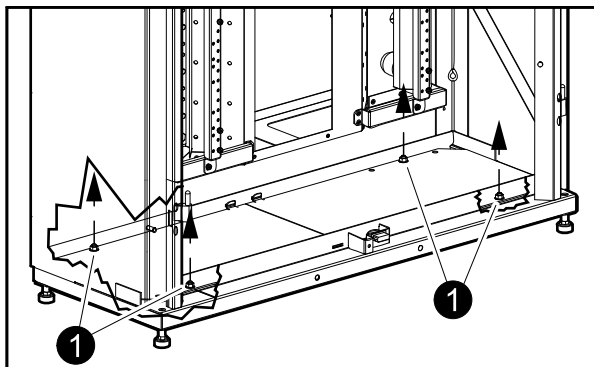
Failure to follow these instructions will result in death or serious injury.

Prepare for Cables in a Bottom Entry System

NOTE: After the system has been leveled, the caster assembly can be removed if additional space for cables is needed. Save the caster assembly.

1. Remove the bottom plates of the maintenance bypass by loosening the M8 nuts.

Maintenance Bypass



2. Drill/punch holes for input and bypass cables in bottom plate.
3. Refit the bottom plate and install conduits (if applicable).

⚠ DANGER

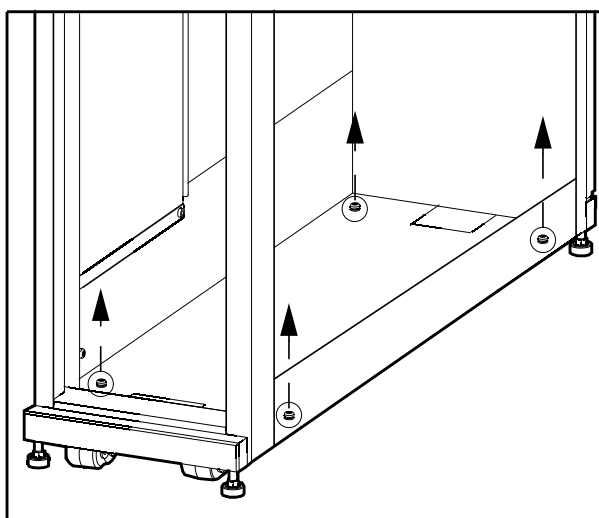
HAZARD OF ELECTRIC SHOCK, EXPLOSION, OR ARC FLASH

Ensure that there are no sharp edges that can damage the cables.

Failure to follow these instructions will result in death or serious injury.

4. Remove the bottom plate of the bottom feed cabinet by loosening the four M8 bolts.

Bottom Feed Cabinet



5. Drill/punch holes for cables.

- Refit the bottom plate and install conduits (if applicable).

⚠ DANGER

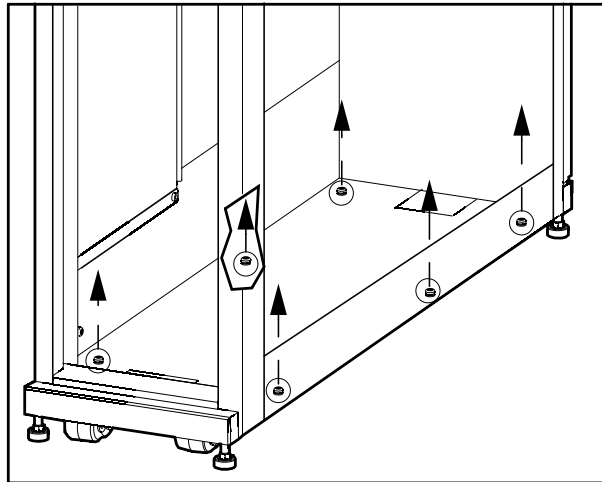
HAZARD OF ELECTRIC SHOCK, EXPLOSION, OR ARC FLASH

Ensure that there are no sharp edges that can damage the cables.

Failure to follow these instructions will result in death or serious injury.

- Loosen the six bolts and remove the bottom plate of the battery side car.

Battery Side Car



- Drill/punch holes for cables.
- Refit the bottom plate and install conduits (if applicable).

⚠ DANGER

HAZARD OF ELECTRIC SHOCK, EXPLOSION, OR ARC FLASH

Ensure that there are no sharp edges that can damage the cables.

Failure to follow these instructions will result in death or serious injury.

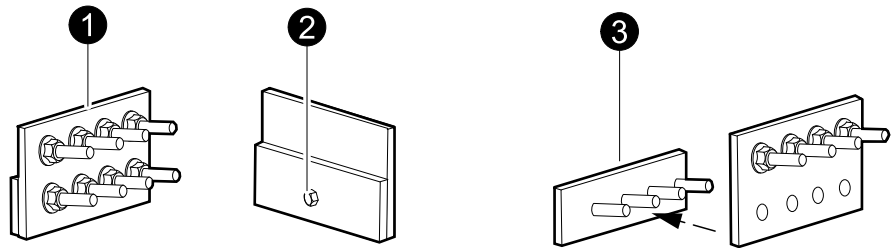
Remove the NEMA 2 Hole Pattern Plates

NOTE: The NEMA 2 hole plates can be installed upside down to gain additional wiring clearances. Use cable lugs with a mutual distance of 44.5 mm in installations with NEMA 2 hole pattern plates.

The NEMA 2 hole pattern plates are only used in some installations in the US. In other installations, the NEMA 2 plates must be removed. Follow the below procedure to remove the NEMA 2 hole pattern plates from the busbars.

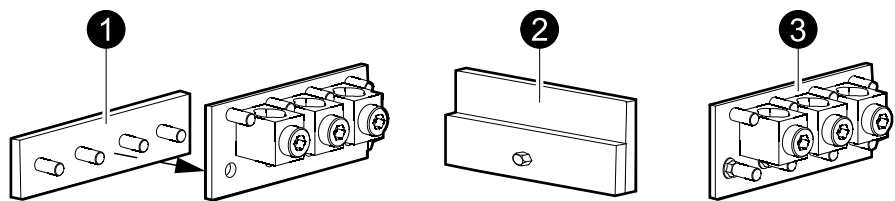
- Loosen the four 10 mm nuts connecting the NEMA 2 hole pattern plate to the busbar.
- Loosen the 8 mm nut on the back of the busbar.

3. Slide the NEMA 2 hole pattern plate off the busbar.



Install the Terminal Blocks (Optional)

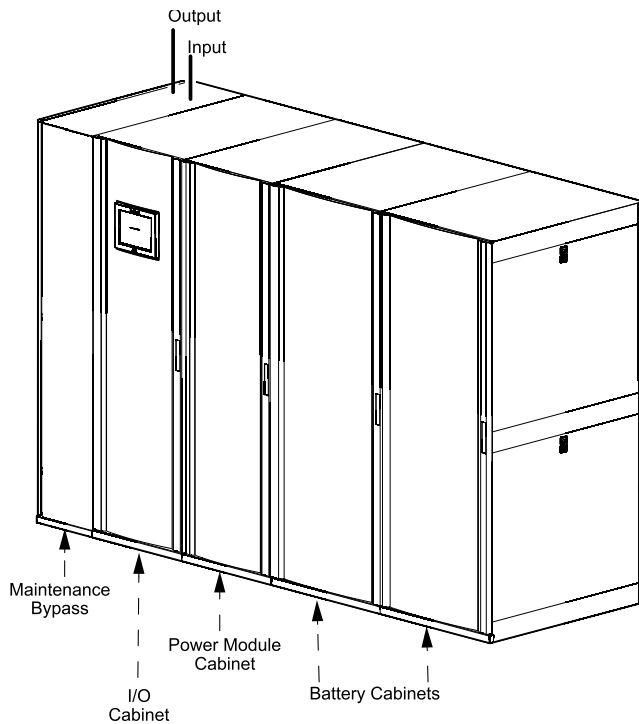
1. Slide the plate with the terminal blocks onto the busbar.
2. Tighten the 8 mm nut on the back of busbar.
3. Tighten the four 10 mm nuts below the terminal blocks.



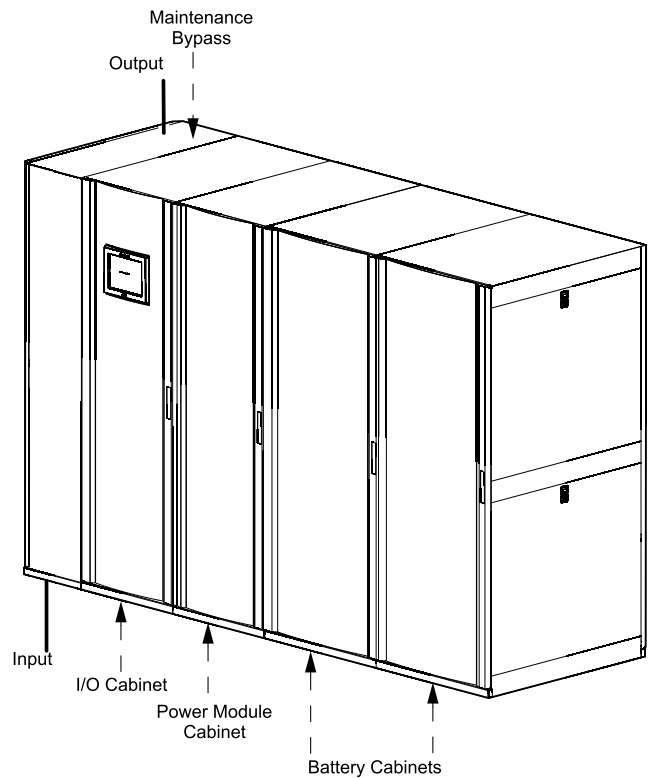
Connect Power Cables

Connect Input Cables in a Single Utility/Mains System

Top Cable Entry with Line-Up Battery Cabinets



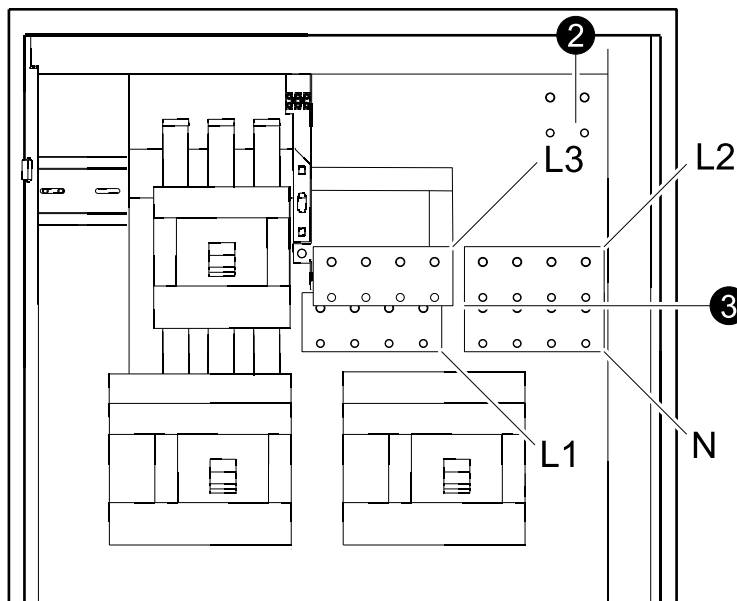
Bottom Cable Entry with Line-Up Battery Cabinets



1. Remove the plastic covers from the busbars in the maintenance bypass.
2. Connect the equipment grounding conductor/PE cable in the maintenance bypass.

3. Connect the input cables to the bypass cable landings in the maintenance bypass (single feed busbars connect the bypass busbars to the input busbars). The N-bus is not applicable to 3-wire systems.

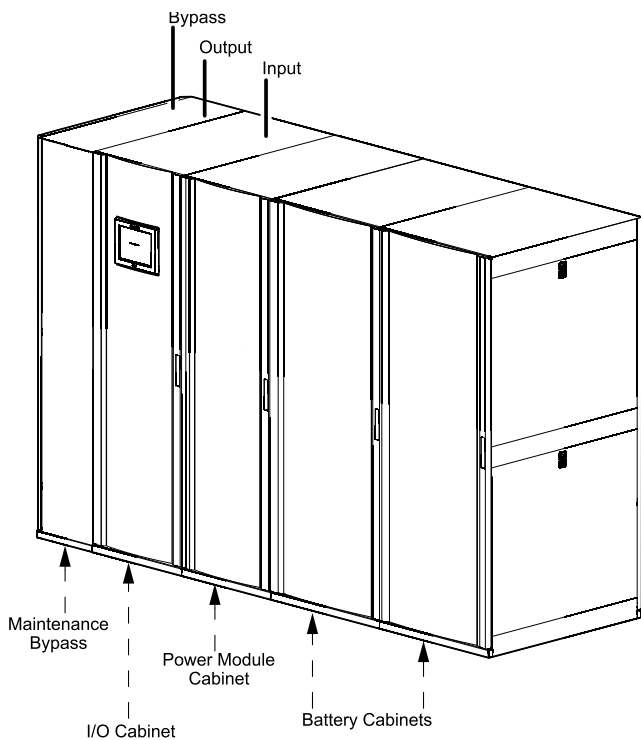
Maintenance Bypass



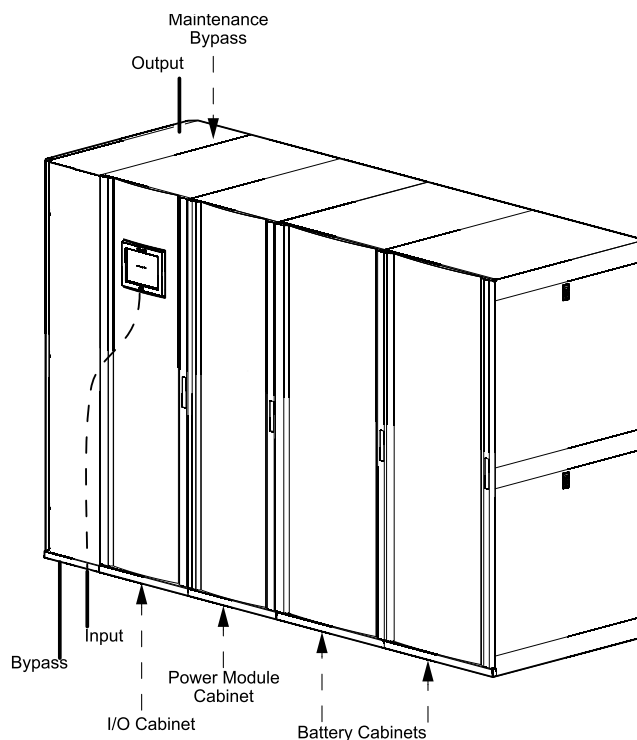
4. Reinstall the plastic covers over the busbars.

Connect Input Cables in a Dual Utility/Mains System

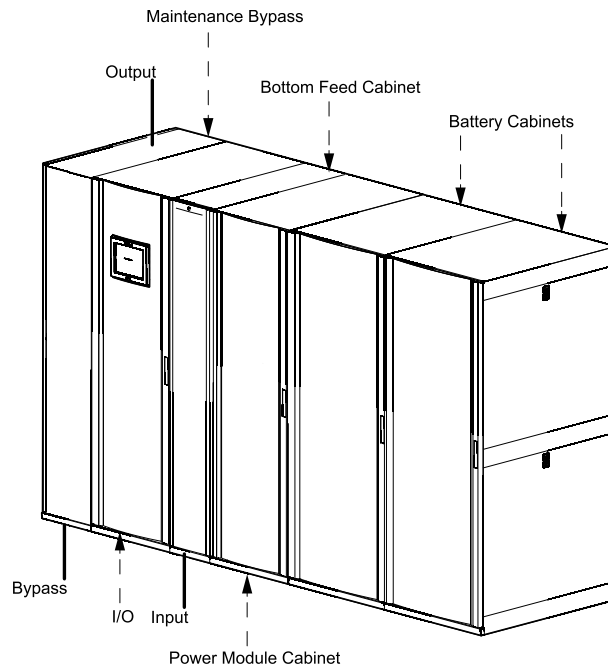
Top Entry Systems with Line-up Batteries



Bottom Entry Systems <250 kW with Line-up Batteries

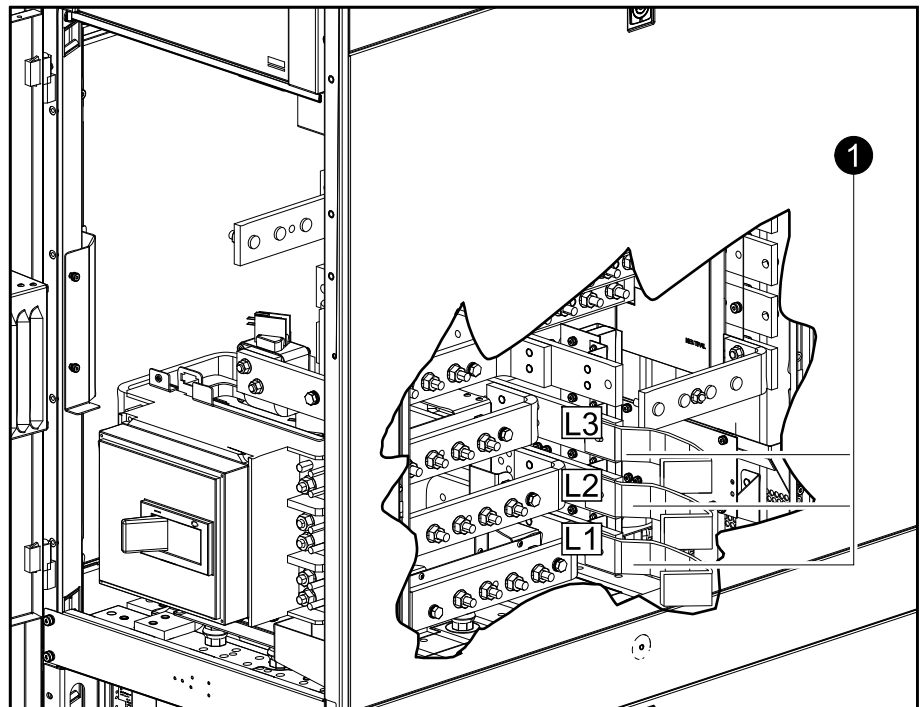


Bottom Entry Systems >250 kW with Line-Up Batteries



1. Ensure that the three single feed busbars (L1, L2, L3) that connect the input busbars in the I/O cabinet to the bypass busbars in the maintenance bypass have been removed.

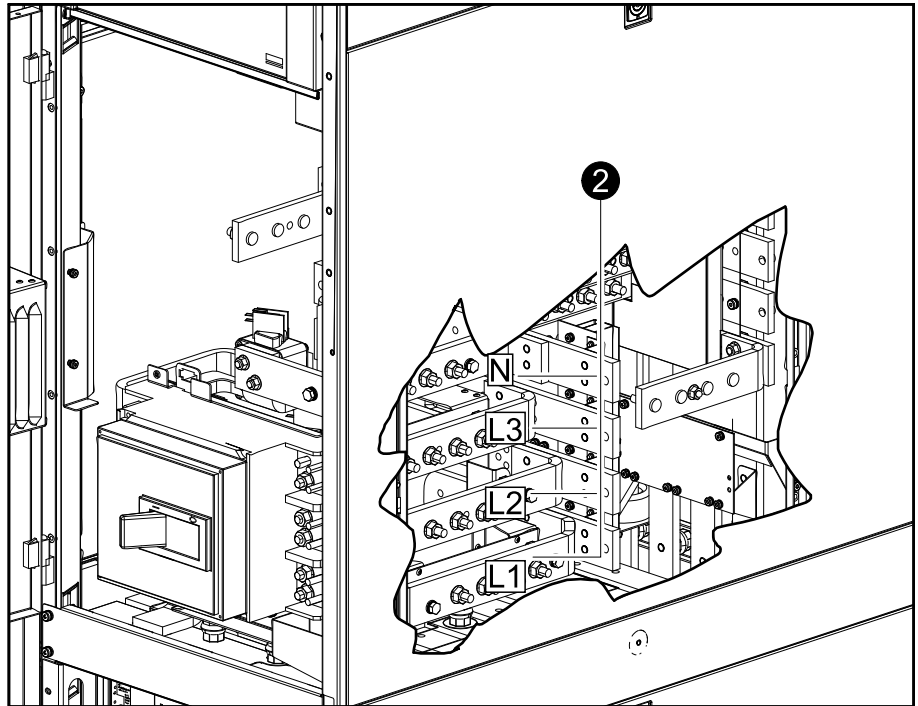
I/O Cabinet



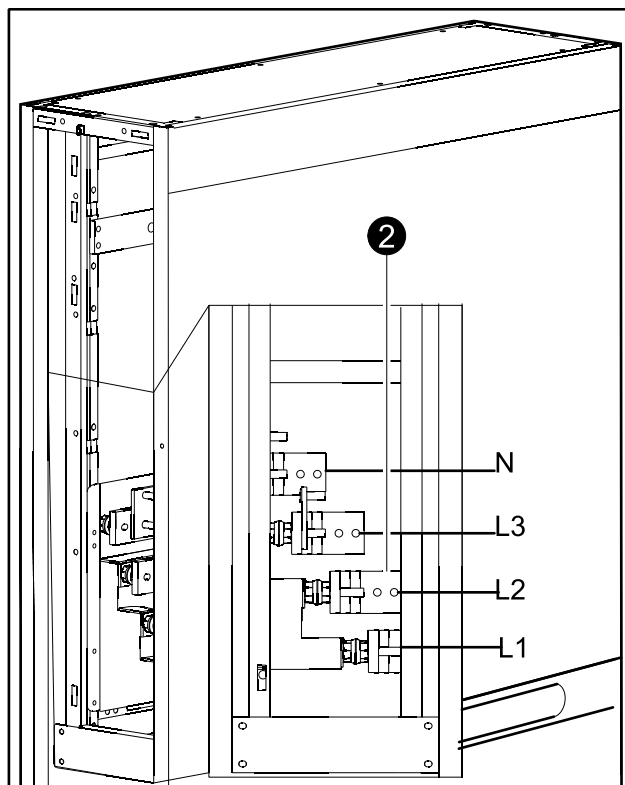
2. Connect the input cables.

- In top entry systems and bottom entry systems ≤ 250 kW connect the input cables to the input cable landings in the I/O cabinet. The N-bus is not applicable to 3-wire systems.
- In bottom entry systems > 250 kW connect the input cables to the input cables landings in the bottom feed cabinet. The N-bus is not applicable to 3-wire systems.

250 kW systems and 500 kW top cable entry systems: I/O Cabinet



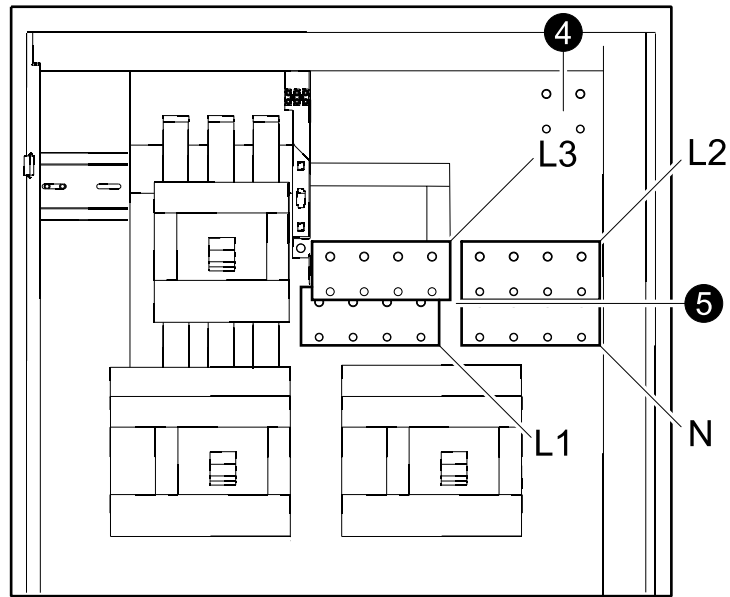
500 kW bottom cable entry systems: Bottom Feed Cabinet



3. Install plastic covers over the terminals L1, L2, L3, N.

4. Connect the grounding conductor/PE cable to the maintenance bypass.

Maintenance Bypass



5. Connect the bypass cables to the bypass cable landings in the maintenance bypass. The N-bus is not applicable to 3-wire systems.

Connect the Bonding Jumper and Technical/System Earth

⚠ CAUTION

HAZARD OF ELECTRIC SHOCK

Connect the bonding jumper and the technical/system earth according to the guidelines below.

Failure to follow these instructions can result in injury or equipment damage.

NOTICE

HAZARD OF EQUIPMENT DAMAGE

The neutral connection to utility/mains must not be disconnected even in battery operation. Therefore 4-pole disconnectors/switches must not be used on the bypass.

Failure to follow these instructions can result in equipment damage.

NOTE: The bonding jumper is not installed from factory.

Systems in the US

- 4-wire systems:
 - Bonding jumper: Not connected
 - Technical/system earth: No local grounding electrode connected
- 3-wire systems:
 - Bonding jumper: Must be connected
 - Technical/system earth: A grounding electrode must be connected via the grounding electrode conductor

Systems in Europe, Africa, and Asia

- 5-wire systems:
 - Bonding jumper: Not connected
 - Technical/system earth: A local earth electrode must be connected

Connect the Bonding Jumper

NOTE: This section is not applicable to 4-wire systems.

⚠ CAUTION

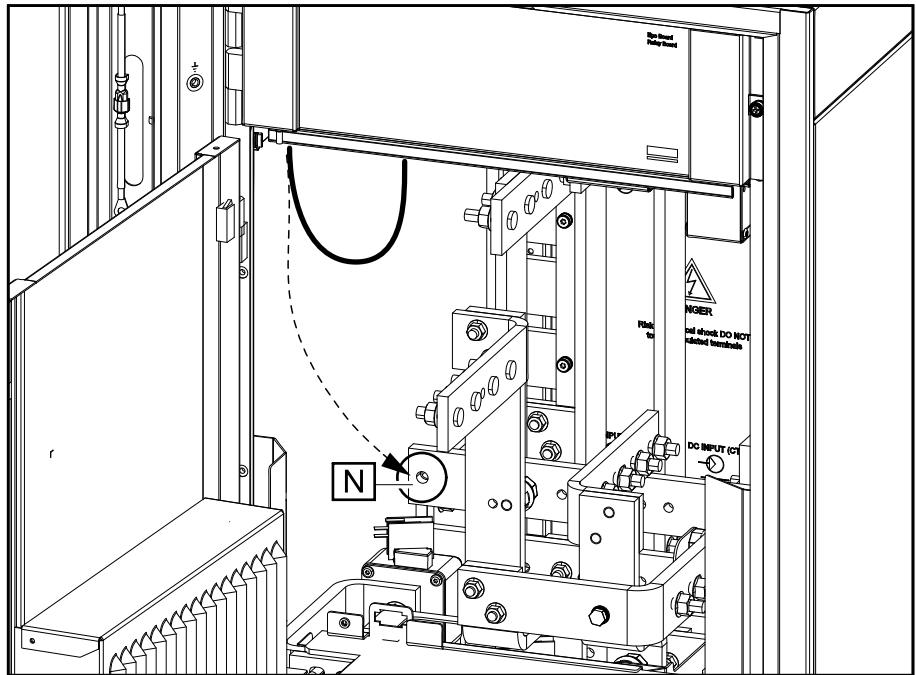
HAZARD OF ELECTRIC SHOCK

Install the bonding jumper in 480 V 3-wire systems.

Failure to follow these instructions can result in injury or equipment damage.

1. Connect the bonding jumper, that is connected to the grounding busbar in the side of the I/O cabinet, to the N-point.

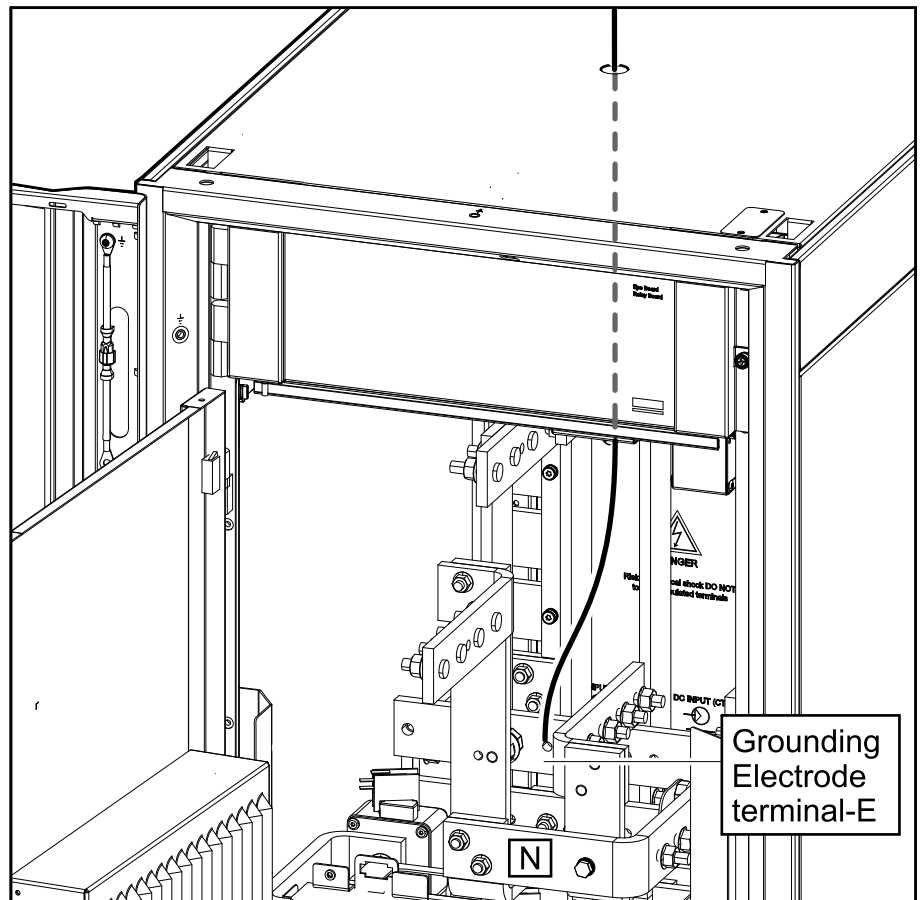
I/O Cabinet



Connect the Technical Earth

1. Connect the earth electrode to the N busbar in the I/O cabinet in the location labeled **Grounding Electrode terminal – E**.

I/O Cabinet



Install the Breaker Adapters and Breakers

⚠ DANGER

HAZARD OF ELECTRIC SHOCK, EXPLOSION, OR ARC FLASH

The system must be completely shut down when breaker adapters and breakers are added.

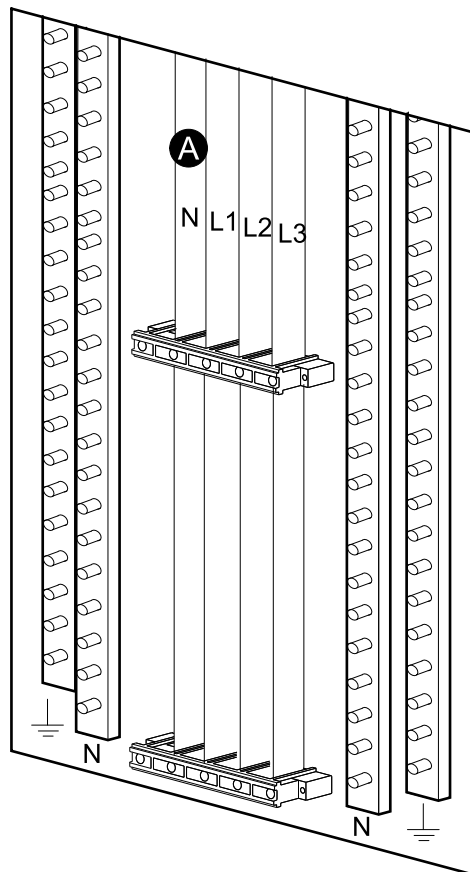
Failure to follow these instructions will result in death or serious injury.

The Distribution Panel

The distribution panel is located in the maintenance bypass of the Symmetra PX 250/500 kW system.

The distribution panel is equipped with three phases (L1, L2, L3) for 3-pole breakers. For use with 4-pole breakers in countries where isolation of the neutral is required, a neutral bar must be installed by Schneider Electric to supply breakers with neutral.

The distribution panel's flexibility enables different frame sizes to be populated in the same panel.

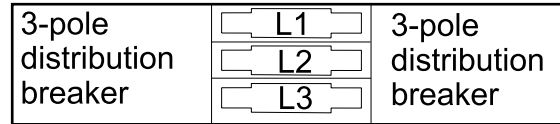


A. Optional neutral bar.

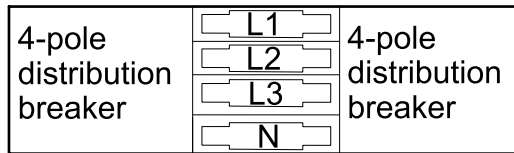
The Breaker Adapters

The breakers connect to the panels by means of a breaker adapter, and they are available in three frame sizes: T1, T3, and T5. The breaker adapters have terminals for installation of two breakers, and contacts in the rear that connect to the output rails.

The 3-pole breaker adapter terminals are designated L1, L2, L3 from the top to the bottom.



The 4-pole breaker adapter terminals are designated L1, L2, L3, N from the top to the bottom.



The below table outlines the number of possible breaker adapters that can be inserted in the distribution panel:

Breaker frame size	Maximum number of 3-pole devices	Maximum number of 4-pole devices
T1	16	12
T3	12	8
T5	8	NA

Install the Breaker Adapters and the Breakers in the Maintenance Bypass

⚠ DANGER

HAZARD OF ELECTRIC SHOCK, EXPLOSION, OR ARC FLASH

Perform a total power off before performing this task.

Failure to follow these instructions will result in death or serious injury.

NOTE: All parts needed for the installation procedure are included with the breaker kit.

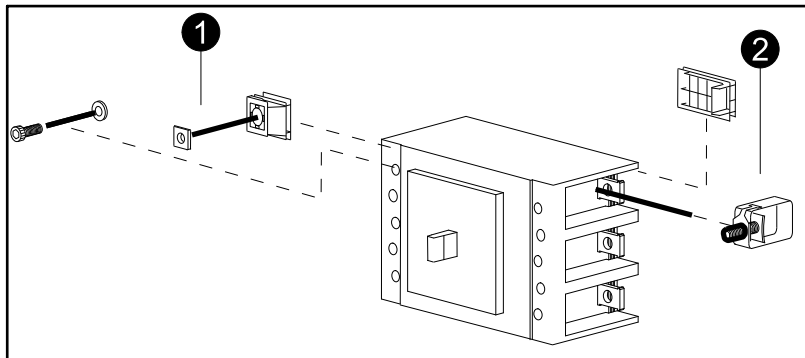
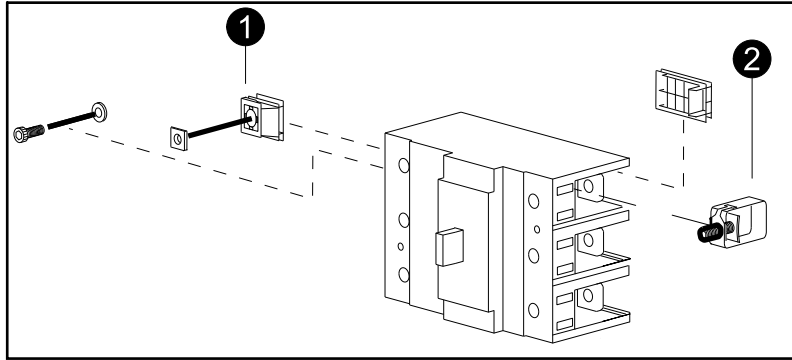
NOTE: A breaker schedule should be maintained and kept in the schedule holder on the front of the inner door.

Both the input and output sides of the T3 and T5 breakers require preparation before they are installed on the panel. Follow the instructions below for each pole.

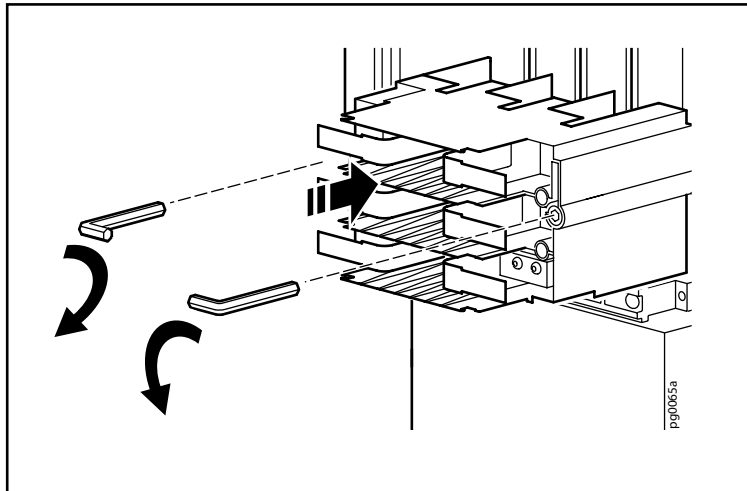
Steps 3–9 below show the installation of the T1 3-pole breaker assembly. The steps are identical for the other breaker assemblies.

1. On the input side of the breaker, place an M8 square nut into a square nut retainer, and insert the nut retainer into the pole position. Slide an M8 washer onto an M8 bolt and insert the bolt into the pole position by loosely attaching the bolt to the M8 square nut.

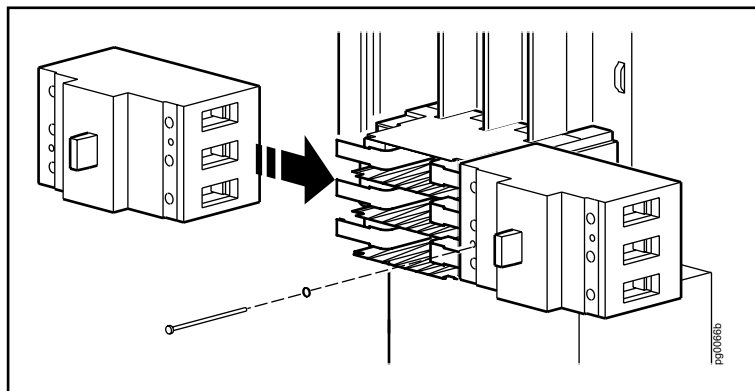
2. On the output side of the breaker, slide a saddle lug into the pole position. You may need to loosen the bolt in the lug. Insert a saddle lug retainer into the pole position.



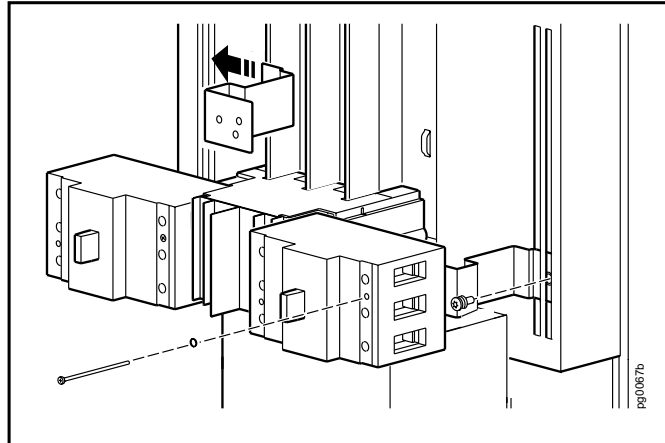
3. Attach the breaker adapter to the distribution panel, and lock it using a hex key.



4. Snap the breakers onto the breaker adapter bus, and lock in place with an M4 x 70 screw. Use a Phillips screwdriver to tighten.



5. Attach the breaker brackets to the slots in the distribution panel, and attach them using an M6 x 12 Torx screw. Use a T25 Torx driver to tighten.



6. Attach the breaker to the breaker bracket using an M4 x 70 screw. Use a Phillips screwdriver to tighten.
7. When the panel is configured, cut the plastic rail covers provided with the distribution panel to appropriate length to cover the live busbar rails.
8. Install terminal covers (supplied) over the terminals that are not used.

⚠ DANGER

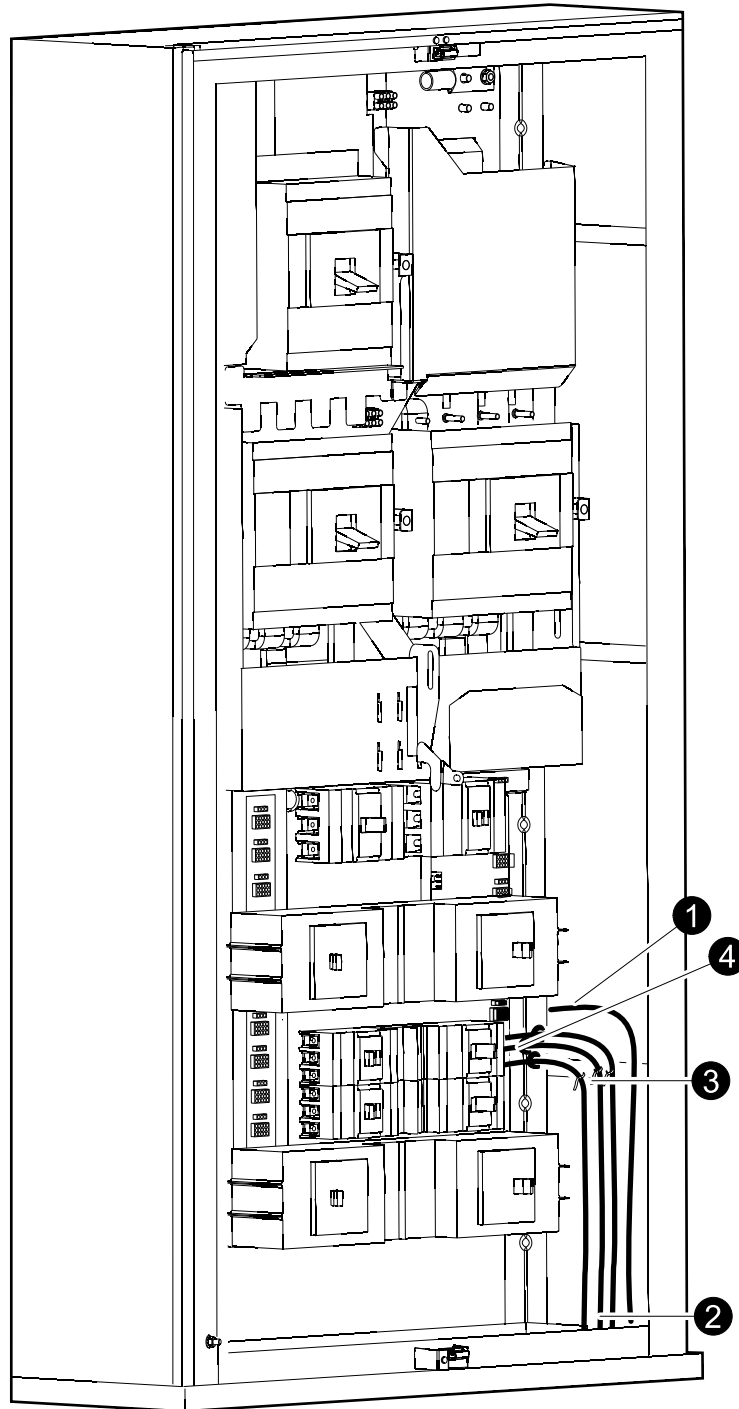
HAZARD OF ELECTRIC SHOCK, EXPLOSION, OR ARC FLASH

No terminals or live parts must be left exposed.

Failure to follow these instructions will result in death or serious injury.

Connect Load to the Distribution Panel in the Maintenance Bypass

Maintenance Bypass

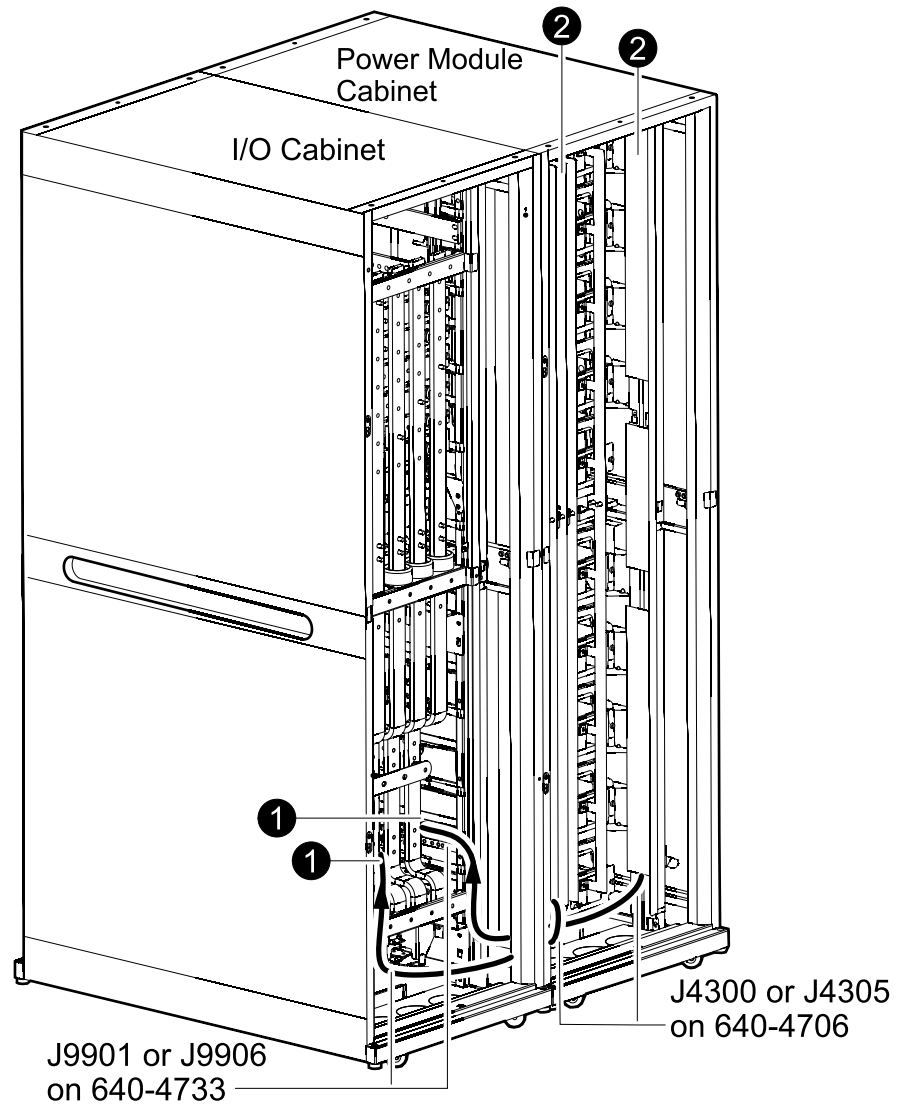


1. Connect neutral (if applicable) and ground/PE conductor to the Neutral and PE busbars located at both sides of the distribution panel. Place sleeves over the conductors, insert conductors with sleeves into the connectors and torque appropriately.
2. Route the cables through either the top or the bottom of the maintenance bypass to the distribution breakers.
3. Attach the cables to the brackets in the right or left panel.
4. Connect the cables to the breakers according to the distribution breaker documentation.

Connect the Communication Cables

Connect the Communication Cables between the Power Module and the I/O Cabinets in 250 kW Systems

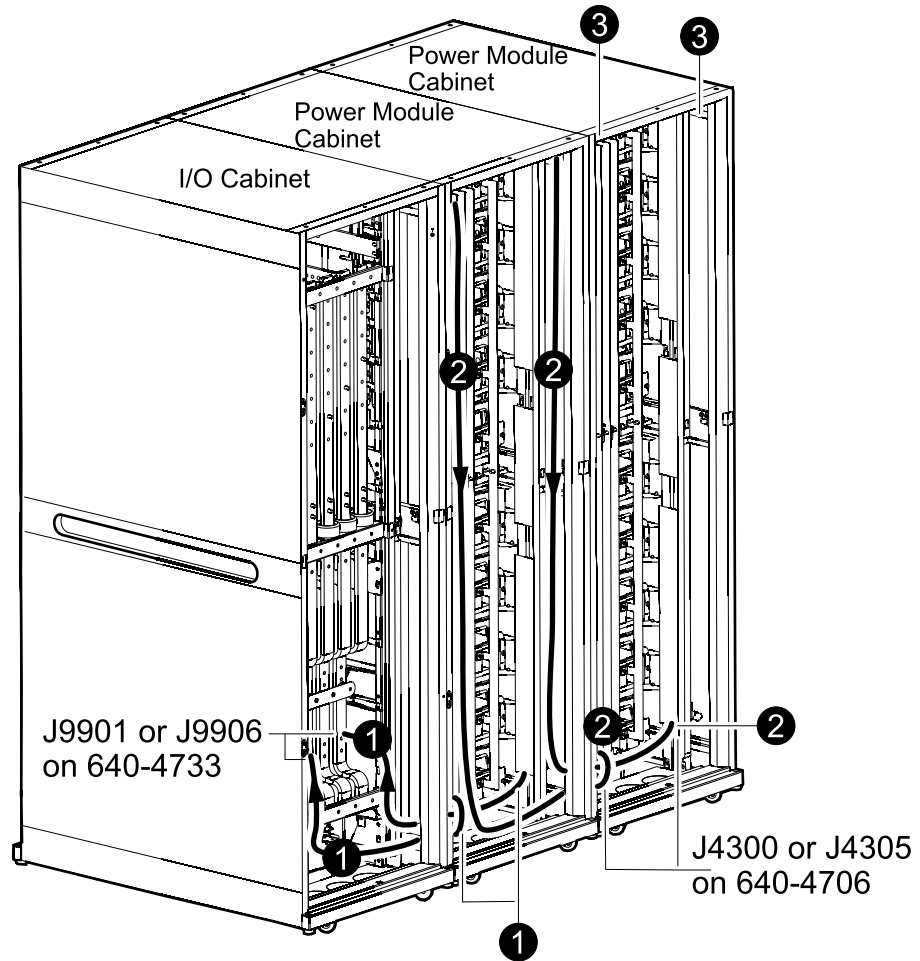
Rear View of I/O Cabinet and Power Module Cabinet



1. Locate the MIM/RIM cables that are placed in the bottom of the power module cabinet and connect them in the bottom of the I/O cabinet (left to left and right to right).
2. Verify that terminators are installed.

Connect the Communication Cables between the Power Module and the I/O Cabinets in 500 kW Systems

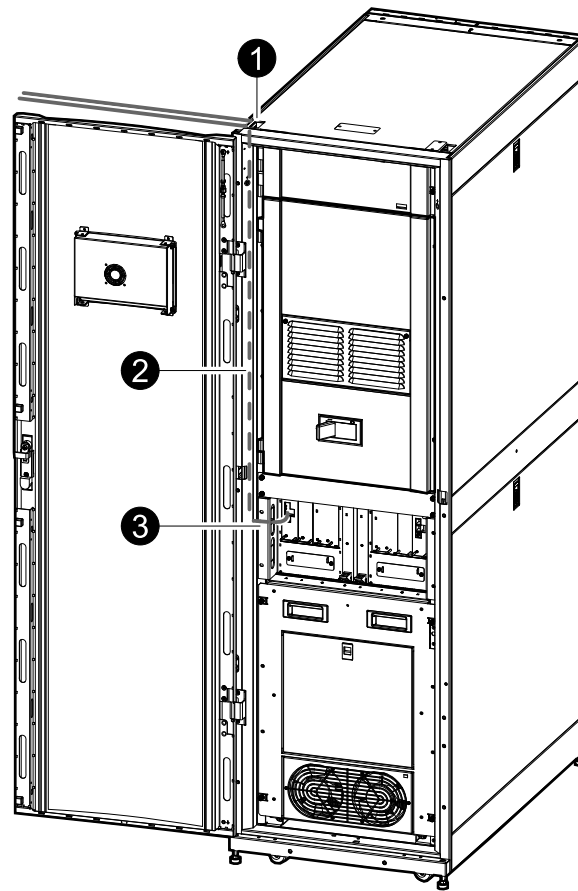
Rear View of I/O Cabinet and Two Power Module Cabinets



1. Locate the MIM/RIM cables that are placed in the bottom of the power module cabinet next to the I/O cabinet and connect them in the bottom of the I/O cabinet (left to left and right to right).
2. Locate the MIM/RIM cables that are placed in the bottom of the other power module cabinet. Connect one end in the top of this power module cabinet and the other end in the bottom of the first power module cabinet (left to left and right to right).
3. Verify that terminators are installed.

Run the Communication Cables

I/O Cabinet



1. Run the cables through the openings in the top cover.
2. Guide the cables through the cable channel in the side.
3. Guide the cables through the hole from the cable tray to the board assembly.

EPO switch wiring

In installations with EPO, the UPS must be connected to either a dry contact or an external 24 VDC EPO (Emergency Power Off) switch.

For installations in the US and Canada

The EPO circuit is considered Class 2 and SELV (Safety Extra Low voltage). A SELV circuit is isolated from primary circuitry through an isolating transformer and designed so that under normal conditions, the voltage is limited to 42.4 V peak or 60 VDC. SELV and Class 2 circuits must be isolated from all primary circuitry. Do not connect any circuit to the EPO terminal block unless it can be confirmed that the circuit is SELV or Class 2.

Installations in the US:

- CL2 Class 2 cable for general purpose use
- CL2 Plenum cable for use in a vertical shaft or from floor to floor
- CL2 R Racer cable for use in dwellings and raceways
- CL2 X Limited use cable for dwellings and raceways

Installations in Canada:

- CL2 R Certified, type ELC (Extra-Low-Voltage Control Cable)

- CL2 X Certified, type ELC (Extra-Low-Voltage Control Cable)

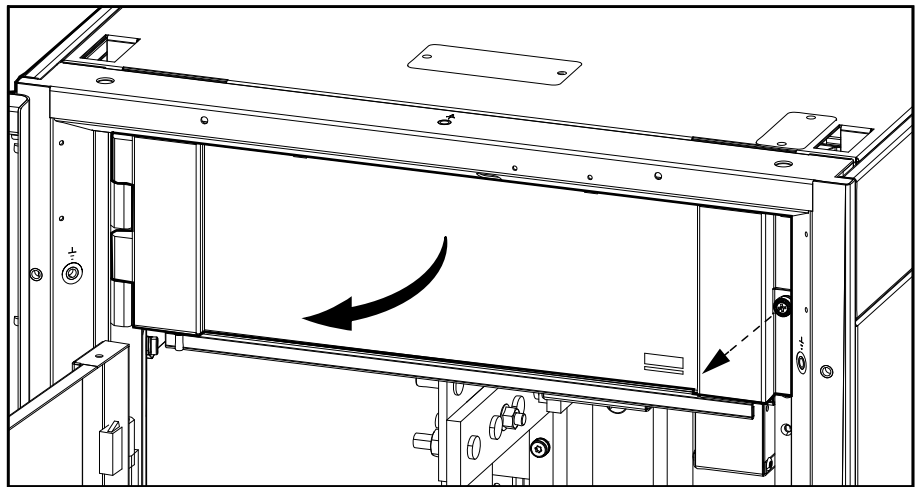
For installations in Europe

The EPO can be achieved with either a contact closure or application of an external 24 V or 24 VDC from a SELV (Safety Extra Low voltage). It is important to note that the hazardous voltage from the input voltage must be isolated from the contact closure or 24 V/24 VDC circuit. The EPO circuit contact closure, the V or VDC circuit is considered a SELV circuit as defined in EN60950 "Safety of Information Technology Equipment".

Connect the EPO

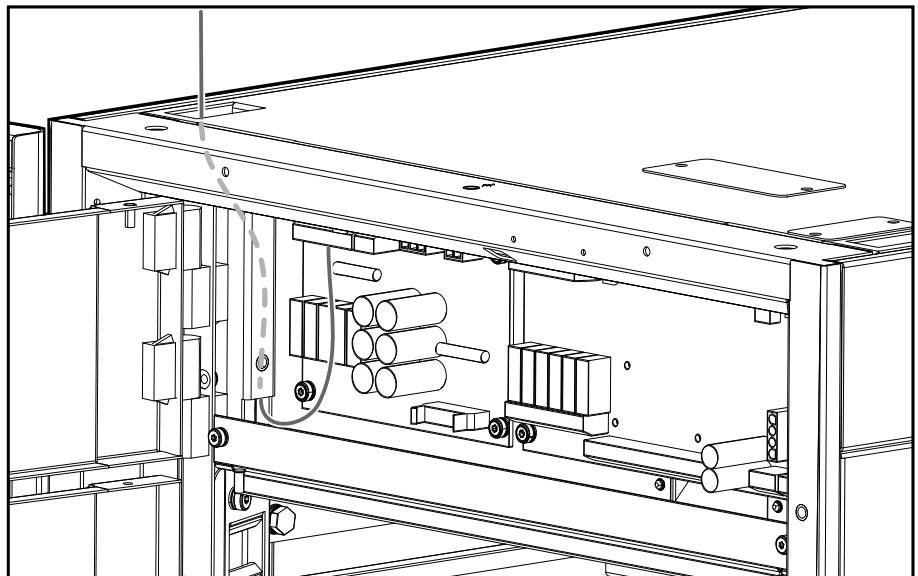
1. Open the door to the communication section in the I/O cabinet.

I/O Cabinet

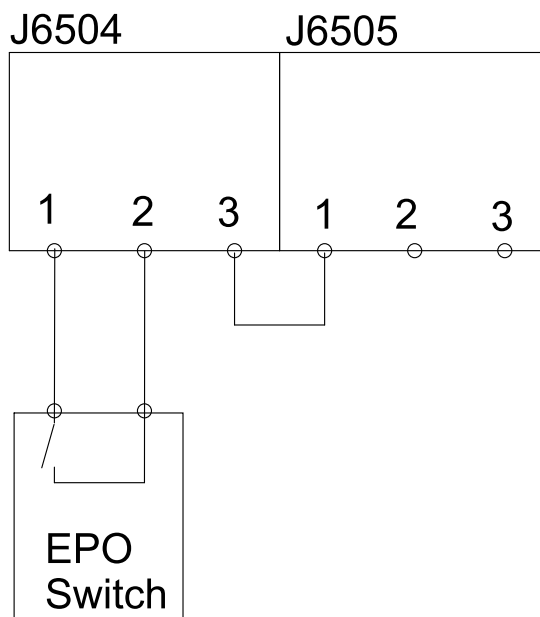


2. Run the cables through the openings in the front left corner of the I/O cabinet.

I/O Cabinet



3. Connect the cable from the EPO to the EPO connection and trip board. A normally open installation is shown.

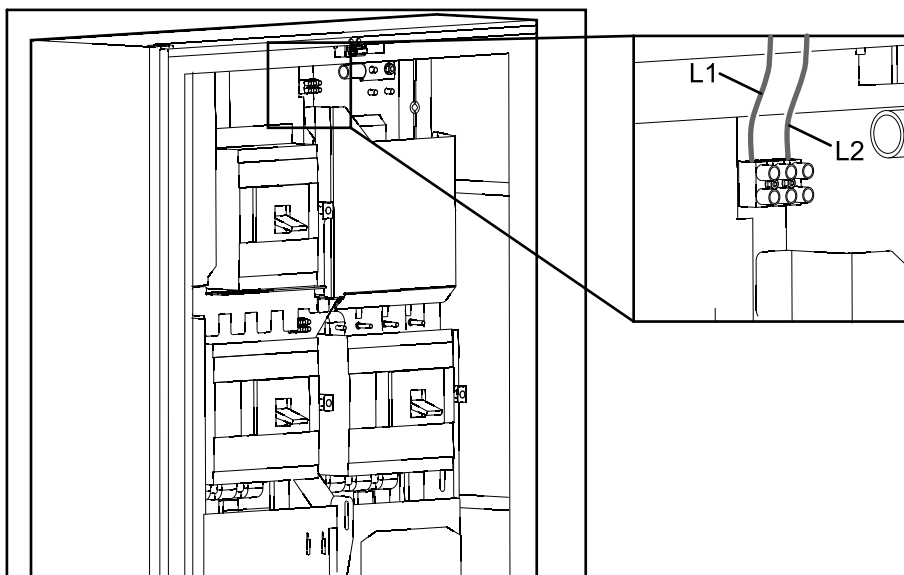


Connect External Synchronization Cables to the Maintenance Bypass (Option)

1. Connect external synchronization cables from L1 and L2 of the preferred AC source to the L1 and L2 terminals in the maintenance bypass.

NOTE: Install a fuse on the external synchronization cable.

Maintenance Bypass

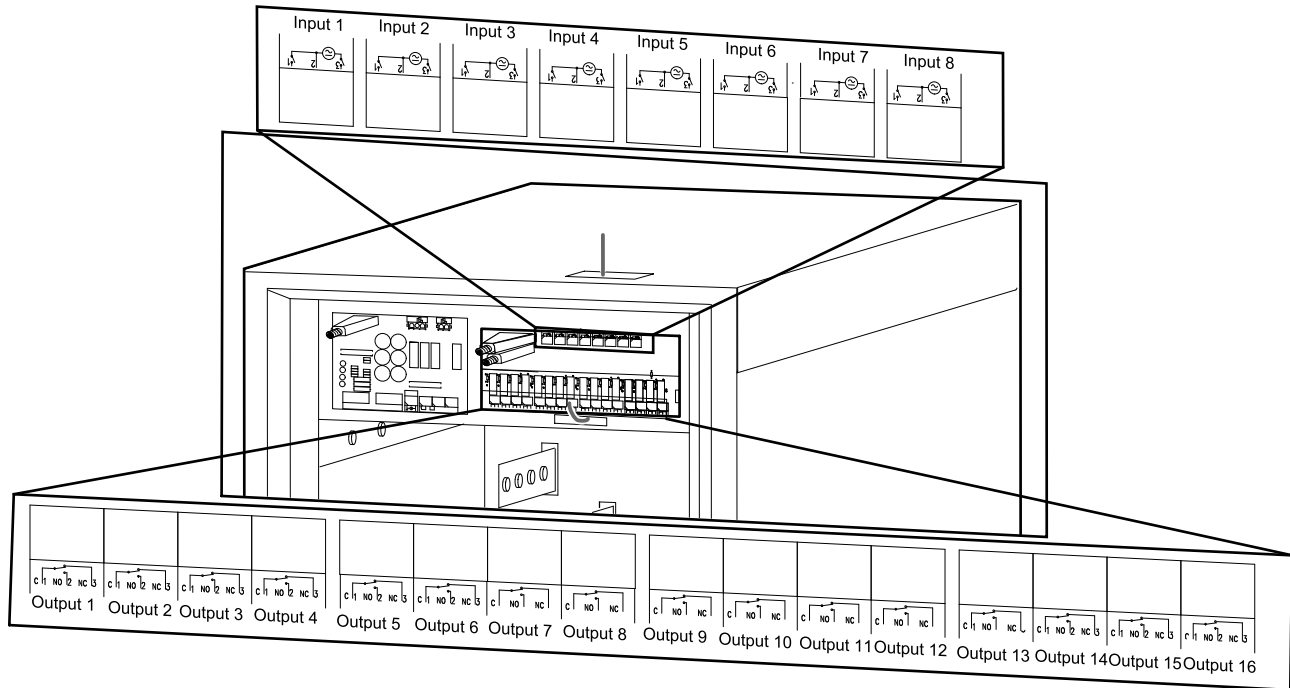


Relay Inputs/Outputs

The relay board informs the user of the operation mode, status, and alarm conditions and has eight input ports and 16 output terminals.

All wiring to the relay board should be considered as field wiring rated minimum 480 V, and must use copper conductors only.

NOTE: Communication cables to the relay board must be run through the openings in the middle of the I/O cabinet via the cable channel to the relay board.



Inputs

All input voltages must have the same ground and 0 V reference.

- Minimum: 12 VAC/VDC
- Maximum: 28 VAC/40 VDC

Input 1	Reduction of charge power
Input 2	Boost charge inhibit
Input 3	Battery ground fault
Input 4	Enable external synchronization
Input 5	Internal use
Input 6	Internal use
Input 7	Door contact
Input 8	Activate mega tie mode

NOTE: When the UPS is installed in environments sensitive to interference, the EMC kit with three ferrite cores must be installed with three loops. Add a clip on ferrite for high frequency noises. Use kit 0J-9147.

Outputs

- Maximum. 8 A/250 VAC
- Maximum. 8 A/24 VDC

Output 1	Common alarm, configurable
Output 2	Normal operation, configurable
Output 3	Bypass operation, configurable
Output 4	Battery operation, configurable
Output 5	Battery voltage low, configurable
Output 6	Battery fault, configurable
Output 7	Maintenance bypass on, configurable
Output 8	Input outside tolerance, configurable
Output 9	Bypass outside tolerances, configurable
Output 10	Output outside tolerance, configurable
Output 11	Battery disconnected, configurable
Output 12	Overload on inverter/bypass, configurable
Output 13	Option 1, configured via display
Output 14	Option 2, configured via display
Output 15	Option 3, configured via display
Output 16	Option 4, configured via display

Install the Battery Solution

Follow the installation procedure for your specific battery solution.

Installation Procedure for the Line-Up Battery Cabinets

1. Connect the Communication Cables between the I/O Cabinet and the Battery Cabinet, page 54.
2. Connect the Communication Cables between the Battery Cabinets, page 55.

Installation Procedure for the Remote Battery Cabinets

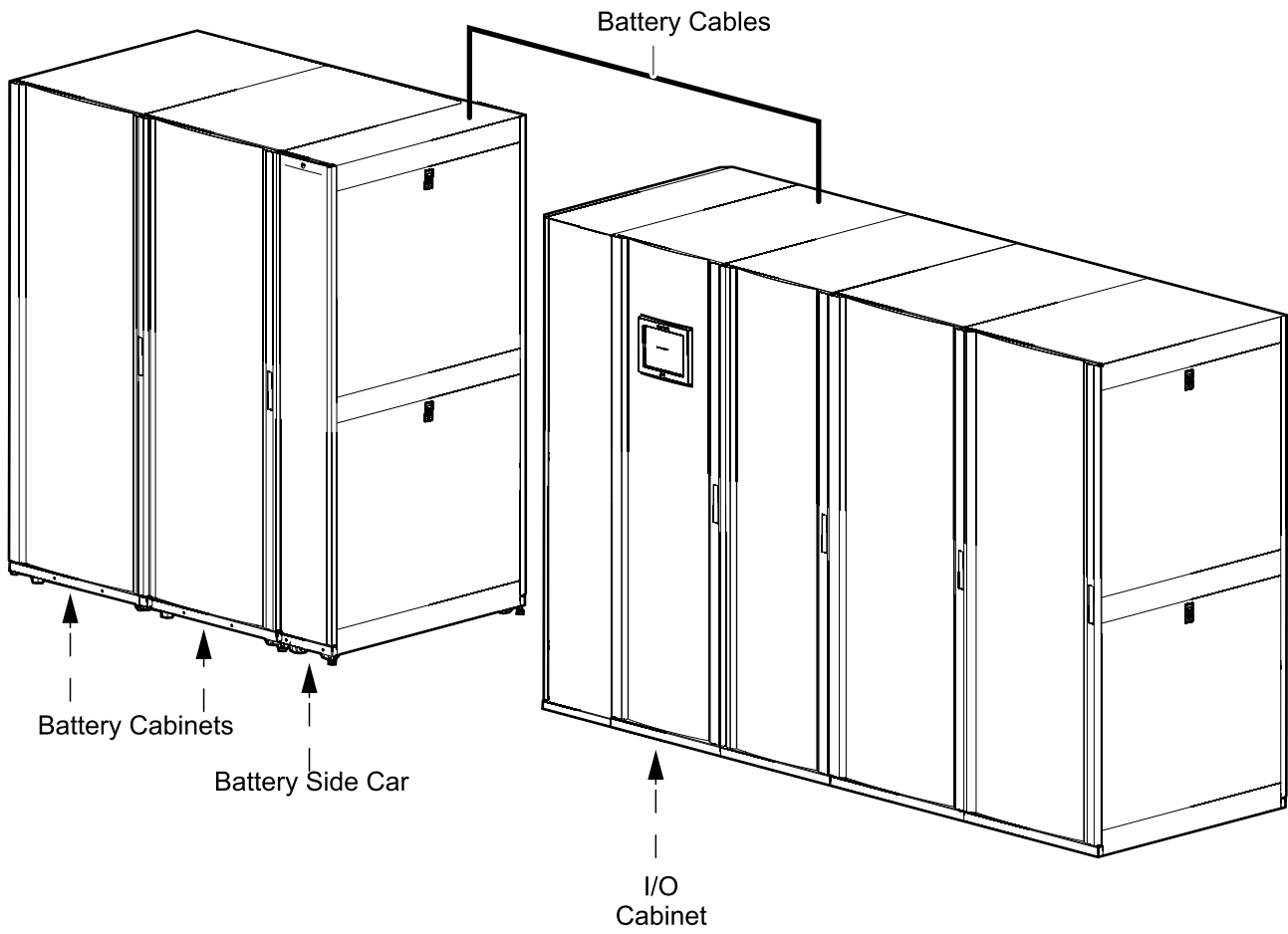
1. Connect the Battery Cables in Systems with Remote Batteries, page 49.
Follow one of the procedures:
 - Connect the Battery Cables in Top Cable Entry Systems, page 49.
 - Connect the Battery Cables in Bottom Cable Entry Systems, page 51.
2. Connect the Communication Cables between the I/O Cabinet and the Battery Cabinet, page 54.
3. Connect the Communication Cables between the Battery Cabinets, page 55.

Installation Procedure for Battery Breaker Cabinet

1. Connect the battery cables. Follow one of the procedures:
 - Connect the Battery Cables in Systems with Line-Up Battery Breaker Cabinets, page 58.
 - Connect the Battery Cables in Systems with Remote Battery Breaker Cabinets, page 59.
2. Connect Communication Cables between I/O Cabinet and Battery Breaker Cabinet, page 59.
3. Connect Battery Breaker Cabinet Communication Cables, page 60.

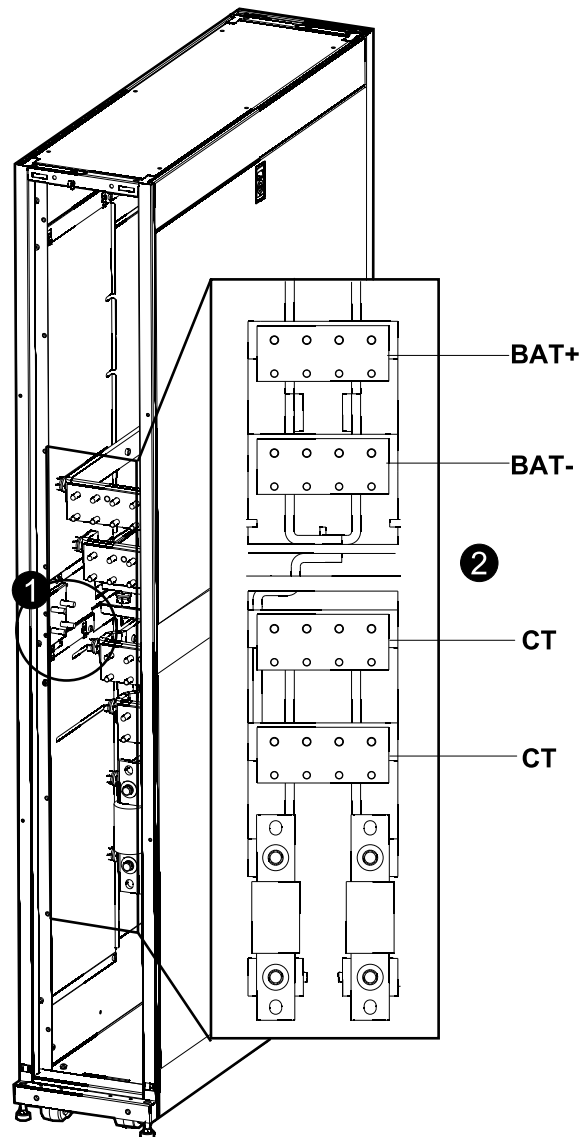
Connect the Battery Cables in Systems with Remote Batteries

Connect the Battery Cables in Top Cable Entry Systems



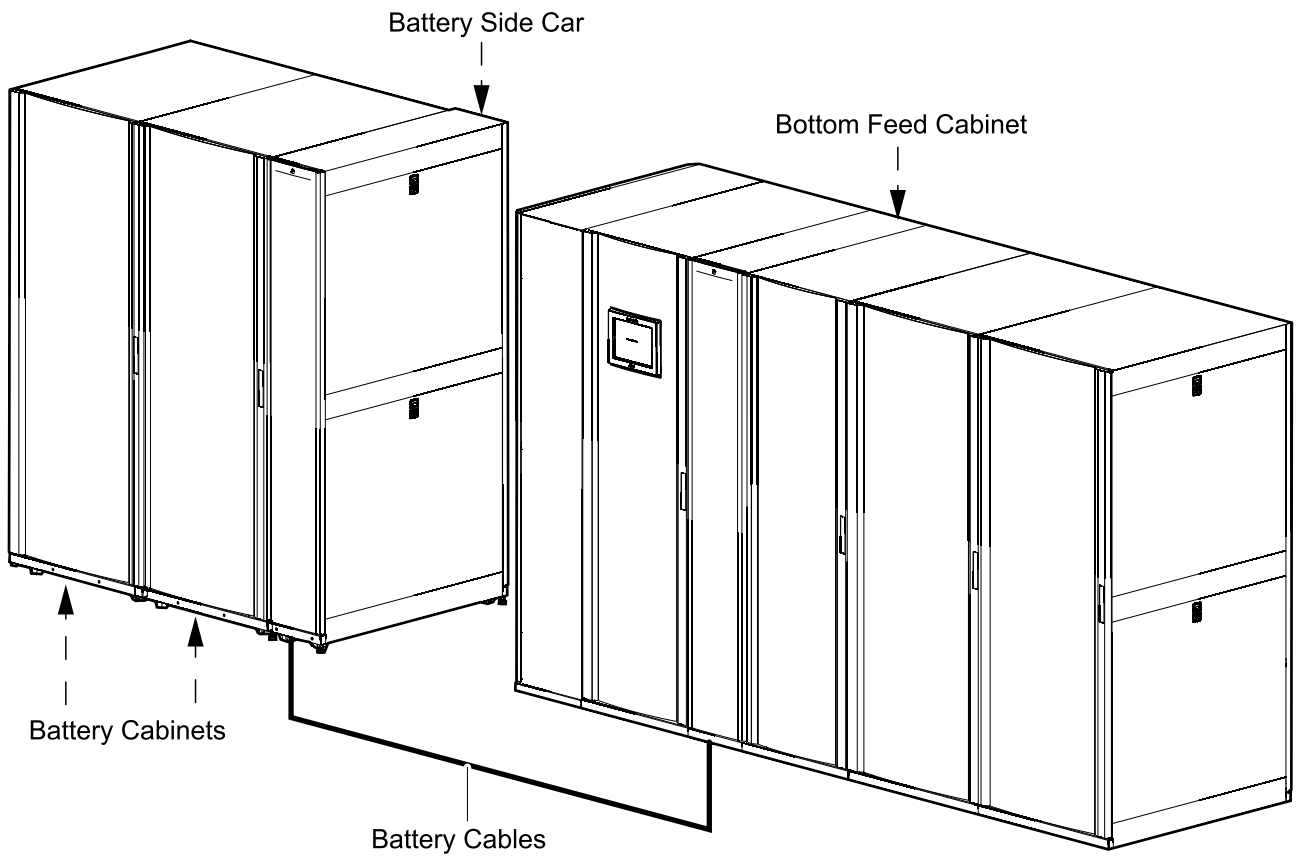
1. In the battery side car, connect the ground/PE cable.

Battery Side Car



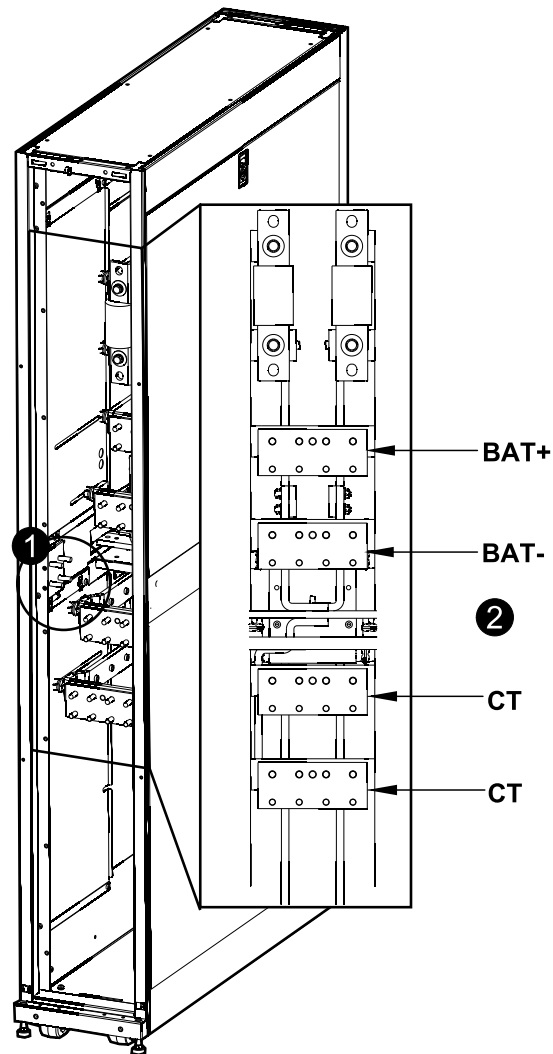
2. Connect one end of the battery cables to the BAT+, BAT-, and CT (Midpoint) cable landings in the battery side car.

Connect the Battery Cables in Bottom Cable Entry Systems



1. In the battery side car, connect the ground/PE cable.

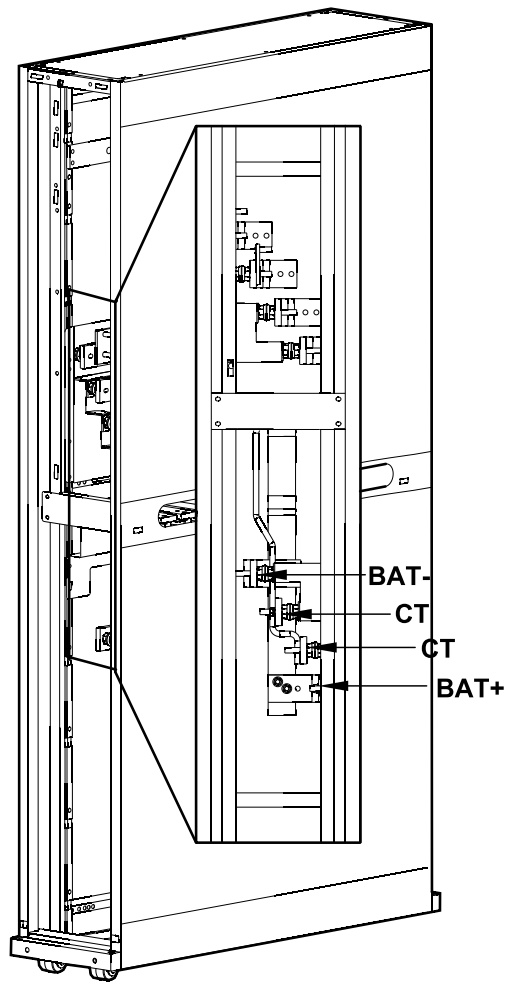
Battery Side Car



2. Connect one end of the battery cables to the BAT+, BAT-, and CT (Midpoint) cable landings in the battery side car.

3. Connect the other end of the battery cables to BAT+, BAT-, and CT (Midpoint) cable landings in the bottom feed cabinet.

Bottom Feed Cabinet



Connect the Communication Cables between the I/O Cabinet and the Battery Cabinet

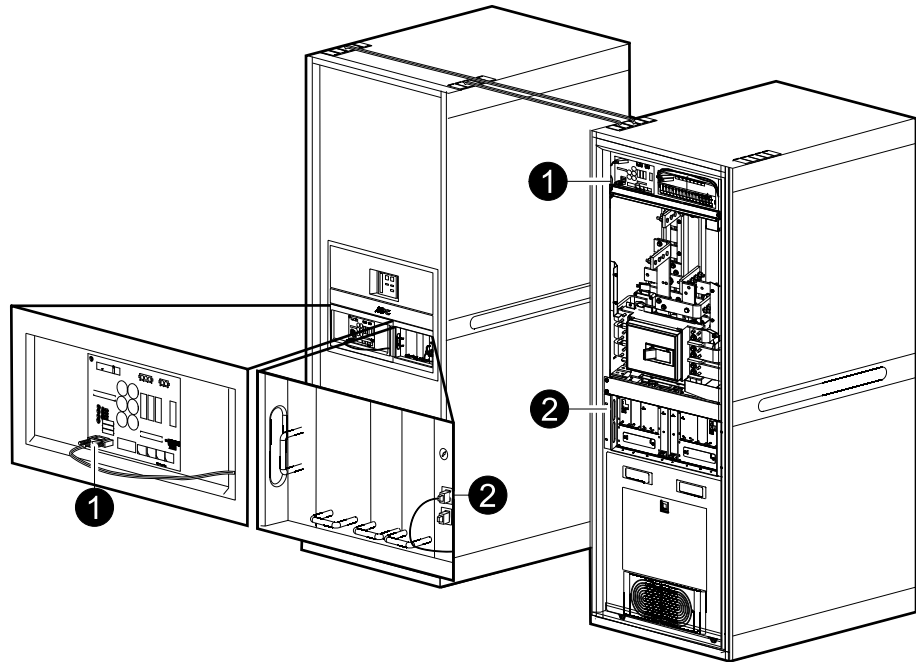
⚠ DANGER

RISK OF ELECTRIC SHOCK

Do not stick fingers behind the EPO connection and trip board as hazardous voltages are present if batteries are installed.

Failure to follow these instructions will result in death or serious injury.

I/O Cabinet and Battery Cabinet



1. Connect the cable 0W4528 (0W3759 in installations with remote batteries) from connector J6500 on OP4711 in the I/O cabinet to connector J6500 on OP4711 in the battery cabinet.
2. Route the Abus cable 0W4527 (0W3758 in installations with remote batteries) from the Abus terminal in the I/O cabinet to the top Abus terminal in the battery cabinet. Route the cable in the right cable channel and remove the two bolts securing the top baying kit while routing the cable. Connect the cable.

NOTE: Only one Abus cable can be used in the installation.

Connect the Communication Cables between the Battery Cabinets

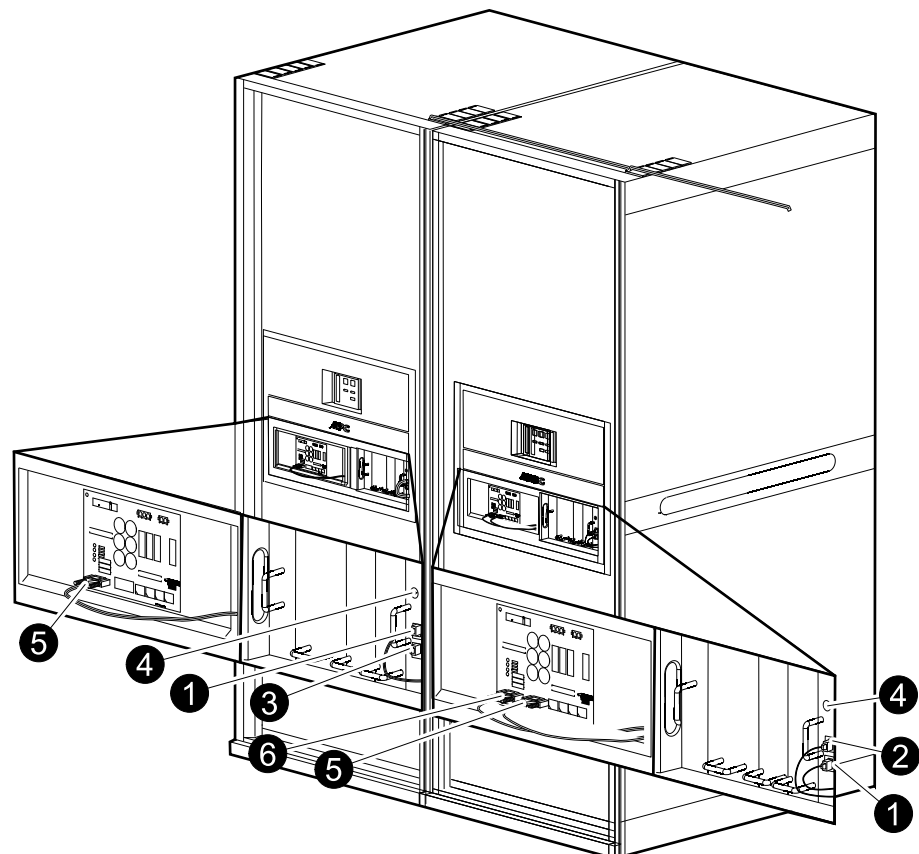
⚠ DANGER

RISK OF ELECTRIC SHOCK

Do not insert your fingers behind the boards as hazardous voltages are present if batteries are installed.

Failure to follow these instructions will result in death or serious injury.

Battery Cabinets



1. Remove the terminator from the bottom Abus terminal on the battery cabinet that is connected to the I/O cabinet. Connect the cable 0W4527 from the Abus terminal to the top Abus terminal in the next battery cabinet.
2. Route the Abus cables 0W4527 between all battery cabinets in the system from the bottom Abus slot to the top Abus slot in the next battery cabinet. Route the cable in the right cable channel and remove the two bolts securing the top baying kit while routing the cable.
3. Install the terminator in the bottom Abus terminal in the last battery cabinet.
4. Set the number of each battery cabinet using the selector.
5. Connect the cable 0W4528 from connector J6501 in the battery cabinet connected to the I/O cabinet to connector J6500 on the next battery cabinet in the system.
6. Connect the cables 0W4528 between all battery cabinets in the system as in step 5.

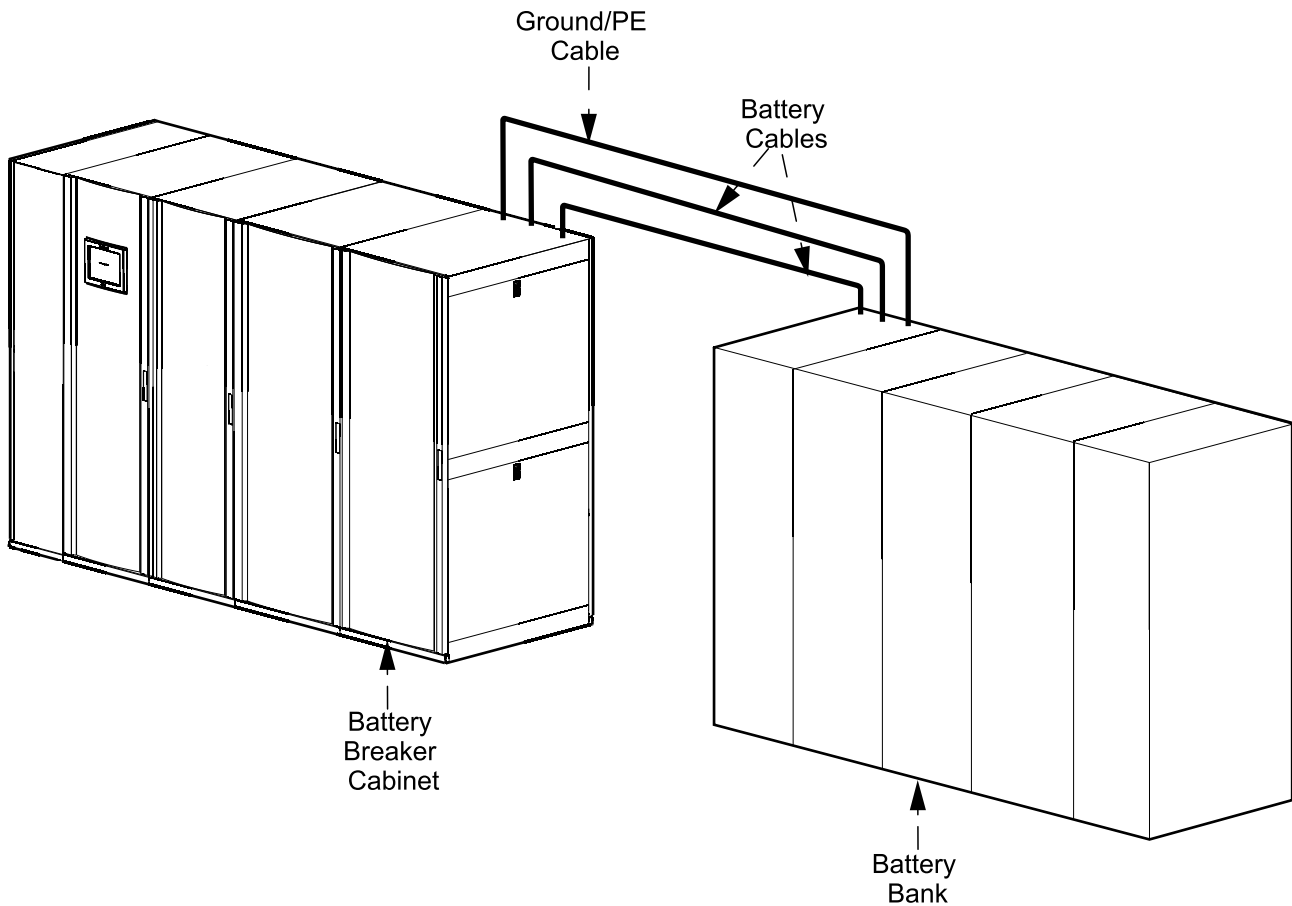
Install the Battery Breaker Cabinet (Option)

The battery breaker cabinet can be installed up against the power module cabinet or remotely.

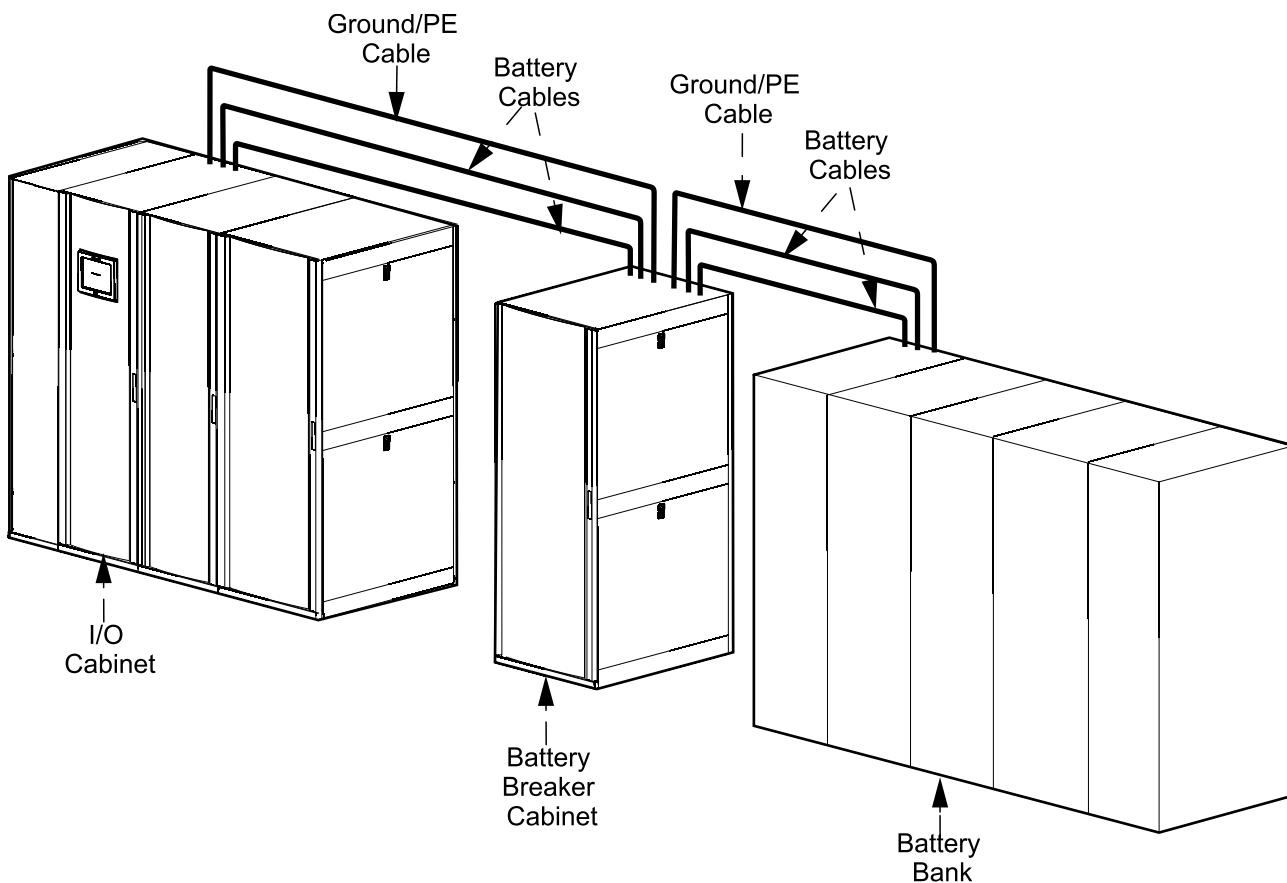
NOTE: In systems with a line-up battery breaker cabinet, the battery breaker cabinet is grounded via the baying kit.

NOTE: In systems with a line-up battery breaker cabinet, the DC output is hard-wired by Schneider Electric via busbars between the battery breaker cabinet and the power module cabinet.

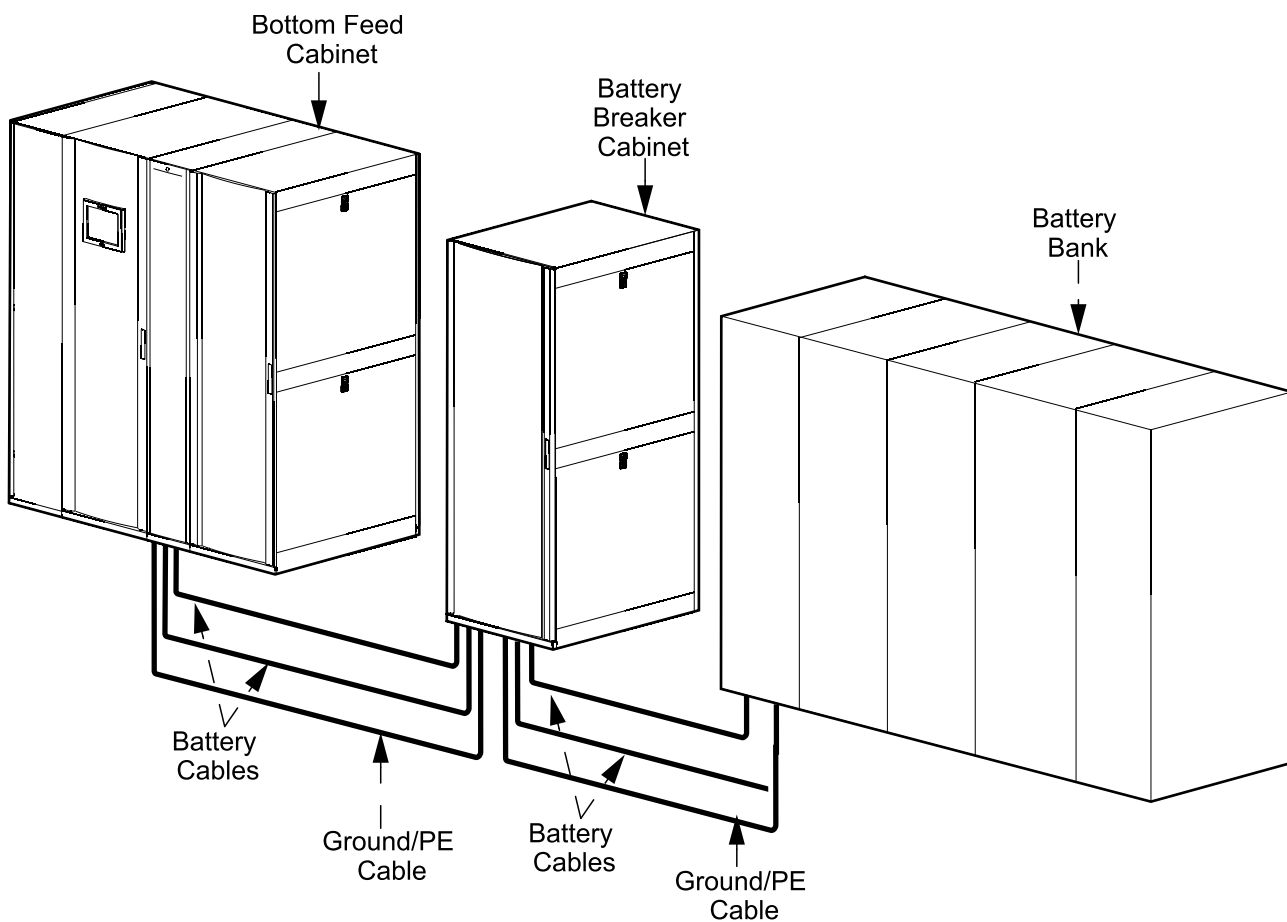
Line-Up Battery Breaker Cabinet



Remote Battery Breaker Cabinet in Top Cable Entry Systems



Remote Battery Breaker Cabinet in Bottom Cable Entry Systems

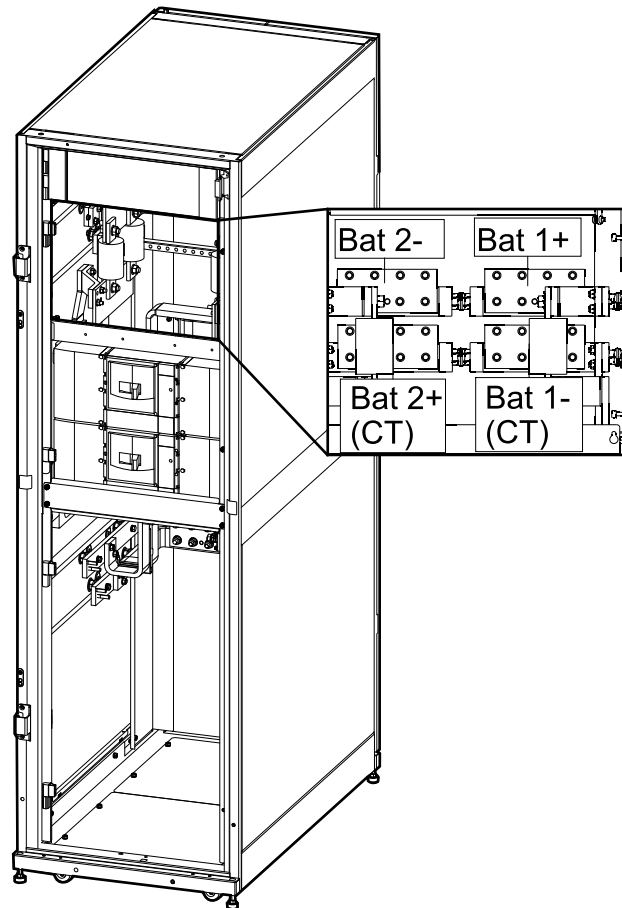


Connect the Battery Cables in Systems with Line-Up Battery Breaker Cabinets

The battery breaker supports two strings of 144 VLA batteries (equal 2 x 288 V). The two strings are divided into a positive (+) and a negative (-) string. For runtime optimization, the number of cells can be adjusted to +/- 6 cells (138-150 cells).

1. Route the battery cables from the battery bank and through the top or bottom of the battery breaker cabinet and guide them to the battery terminals in the top of the cabinet.
2. Connect the battery cables to the Bat 1 and Bat 2 busbars.

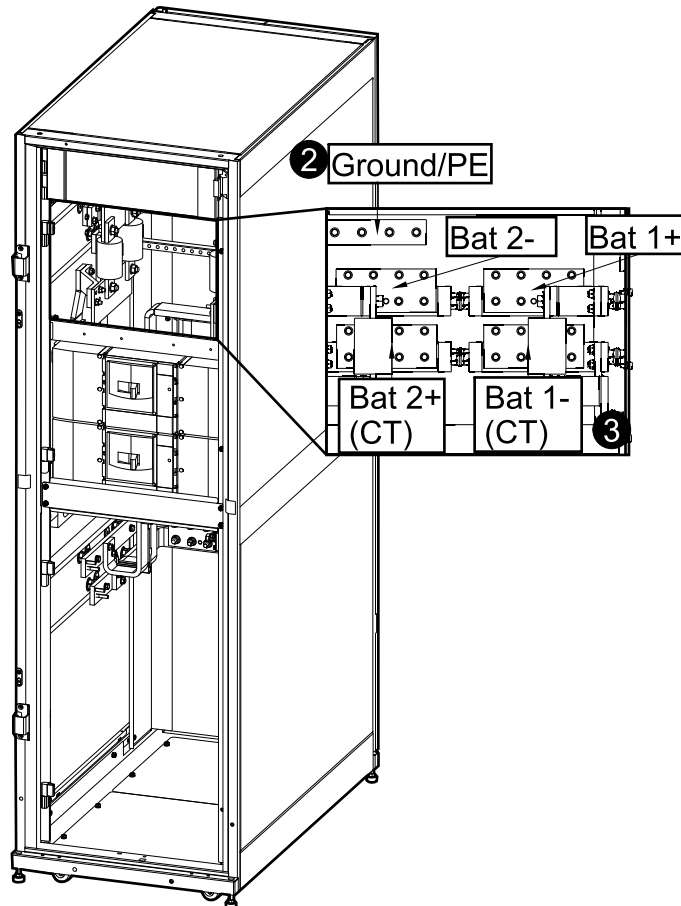
Battery Breaker Cabinet



Connect the Battery Cables in Systems with Remote Battery Breaker Cabinets

1. Route the battery cables from the battery bank and through the top or bottom of the battery breaker cabinet and guide them to the battery terminals in the top of the cabinet.
2. Connect the ground/PE cable to the equipment grounding terminal in the upper left corner of the cabinet.
3. Connect the battery cables to the Bat 1 and Bat 2 busbars.

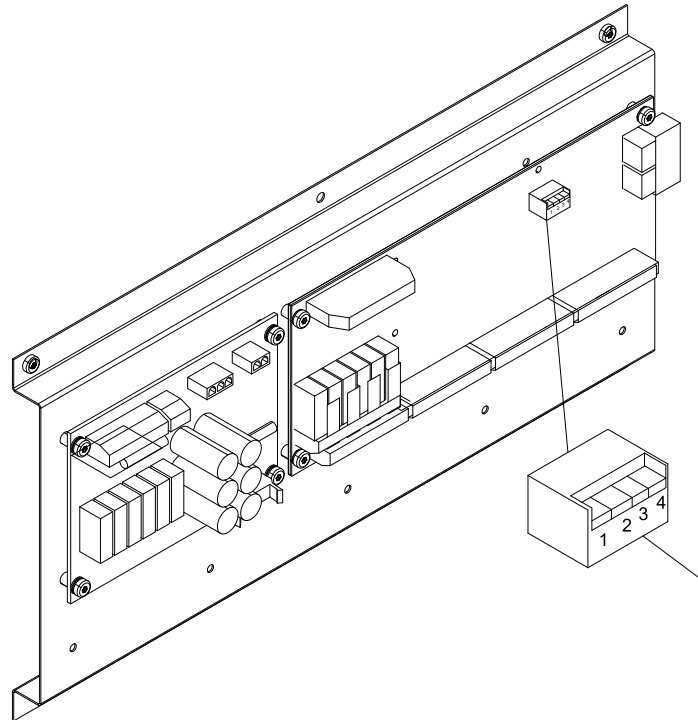
Battery Breaker Cabinet



Connect Communication Cables between I/O Cabinet and Battery Breaker Cabinet

1. Connect the cable 0W3759 from connector J6500 on 0P4739 in the I/O cabinet to connector J6500 on 0P4739 in the battery breaker cabinet. Attach the cable to the cable relief in the lower left corner.
2. Connect the Abus cable 0W3758 from the Abus terminal in the I/O cabinet to the top Abus terminal J2 on the ancillary monitor board in the battery breaker cabinet. Attach the Abus cable 0W3758 to the cable relief in the upper right corner.
3. Verify that the terminator 0W03913 is installed in the J4 terminal on the ancillary monitor board in the battery breaker cabinet.

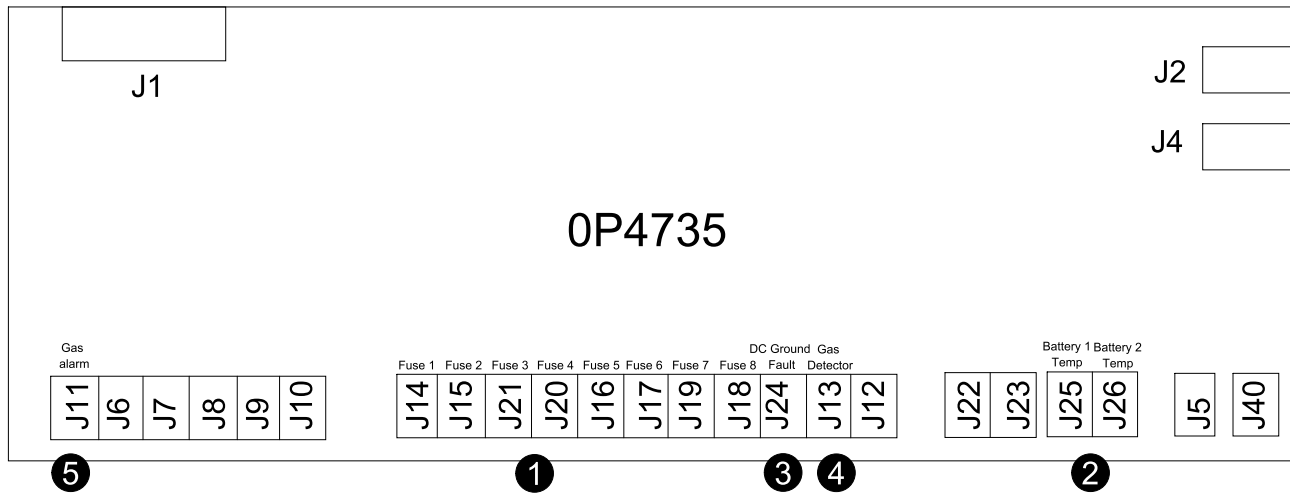
- Verify that the ancillary monitor board DIP switch is configured for use in a battery breaker cabinet (Pins 1–4 down).



SW1	Pin 1	Pin 2	Pin 3	Pin 4
Ancillary monitor board	Down	Down	Down	Down

Connect Battery Breaker Cabinet Communication Cables

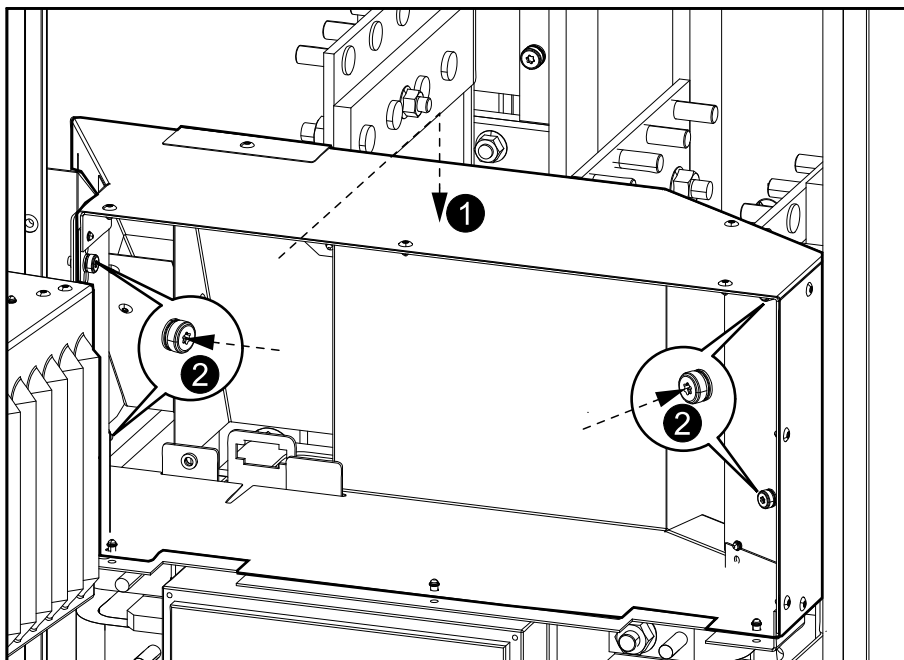
0P4735 in Battery Breaker Cabinet



- Connect cables from fuse indicators in the battery bank to J14-J21. If not used, jump the inputs as they are configured as normally closed (NC).
- Install the battery temperature sensors in the battery bank as described in the documentation supplied with the battery temperature sensors, and connect cables from the battery temperature sensors to J25 and J26.
- Connect cables from the DC ground fault detection to J24. If not used, jump the inputs as they are configured as normally closed (NC).
- Connect cables from the gas detector to J13. If not used, jump the inputs as they are configured as normally closed (NC).
- Connect cables from gas alarm relay to J11.

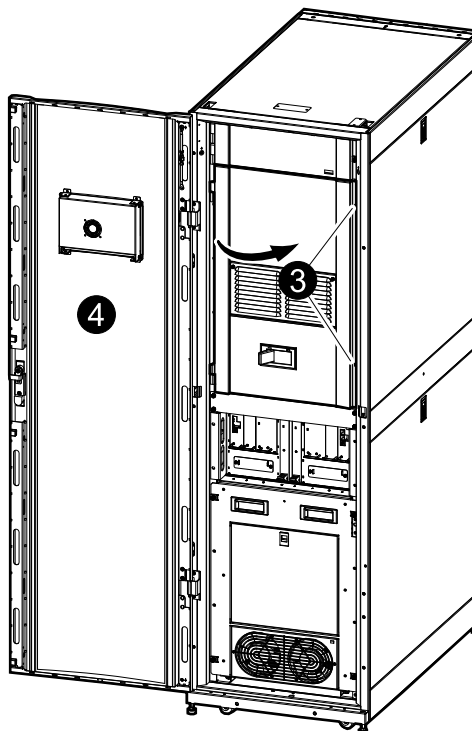
Reinstall the Air Guide in the I/O Cabinet

1. Place the air guide back into the upper section of the I/O cabinet.
2. Reinstall the four screws in the air guide as shown.



3. Close the inner door and reinstall the two screws.
4. Close the front door.

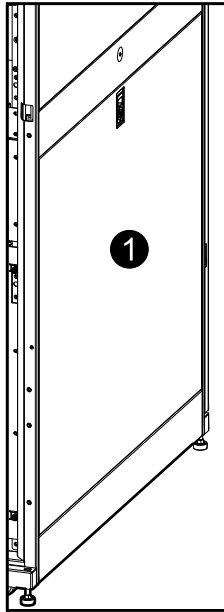
I/O Cabinet



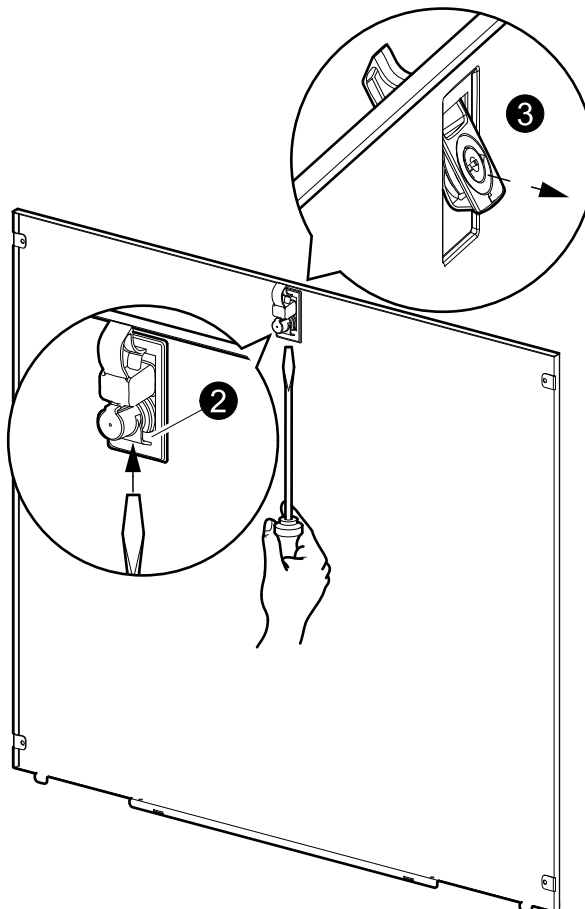
Install Seismic Option

Replace the Side Panel Lock

1. Remove the side panel from the end of row cabinets.

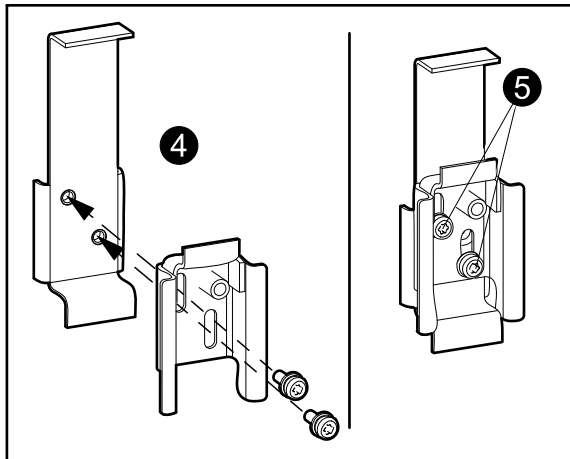


2. Use a screwdriver to press in the tab on the back to remove the lock from the side panel.
3. Pull the lock out and up and remove it from the side panel.

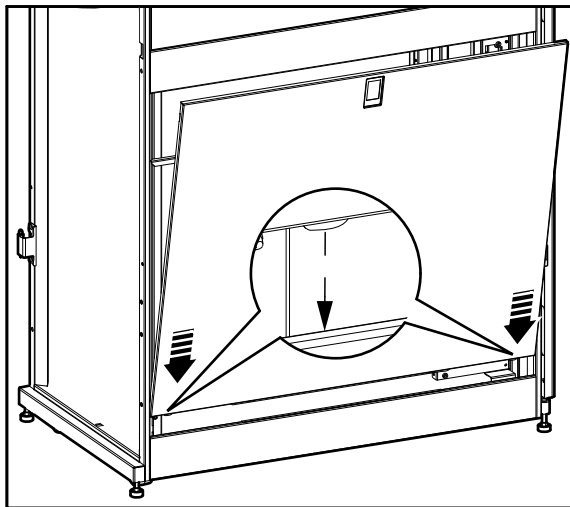


4. Take the two seismic lock parts and put them together.

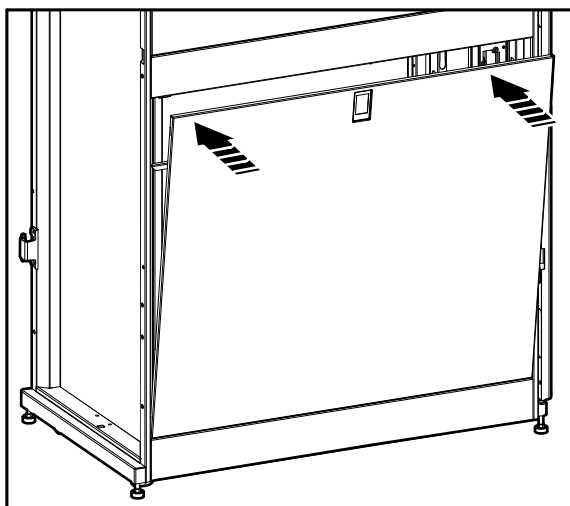
5. Put in the screws but do not tighten completely.



6. Place the side panel at an angle at the bottom of the frame.

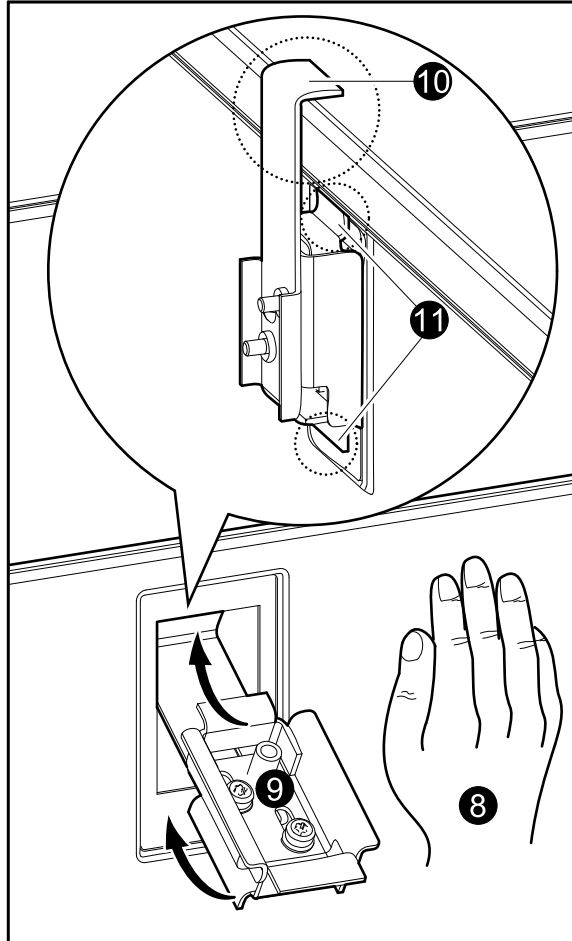


7. Push the top of the side panel in place.

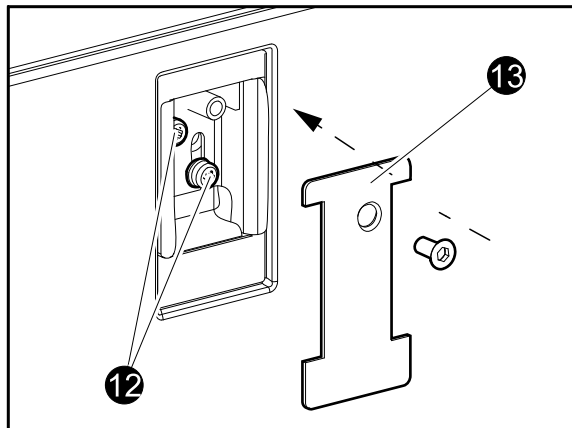


8. Hold the side panel with one hand.
9. Take the lock assembly and guide the top through the hole in the side panel.
10. Lift the lock assembly in place.

11. Ensure that the upper and lower tabs are hidden behind the side panel.

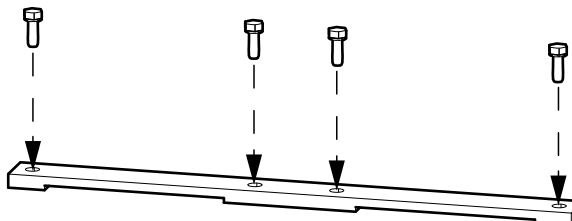


12. Tighten the two screws in the lock assembly.
13. Install the lock cover using the provided screw.

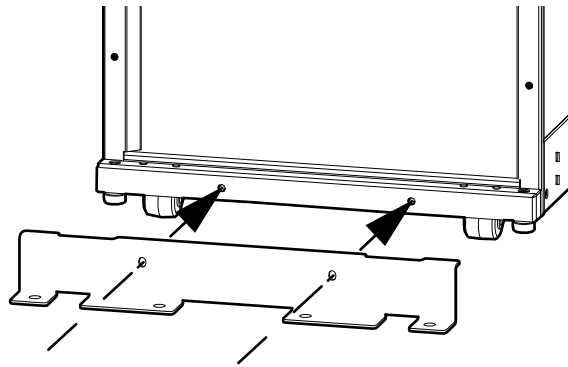


Install the Rear Anchoring Brackets

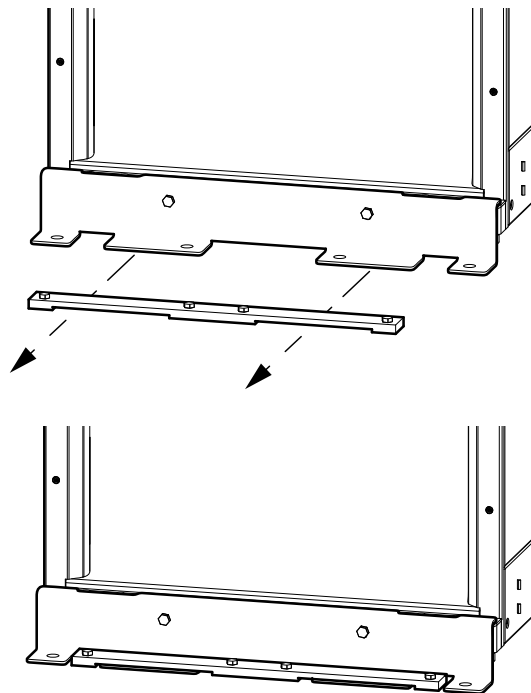
1. Bolt the floor anchoring bracket to the floor using floor anchoring bolts (not supplied). Use M12 strength class 8.8 or 1/2 in grade 5 steel bolts.



2. Attach the other part of the rear anchoring bracket to the back of the cabinet.

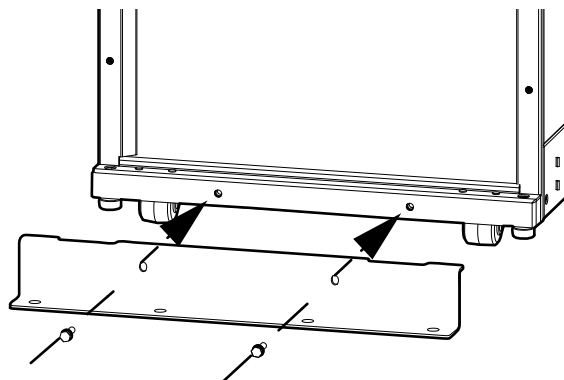


3. Push the cabinet backwards so the rear anchoring bracket on the cabinet slides under the floor anchoring bracket.

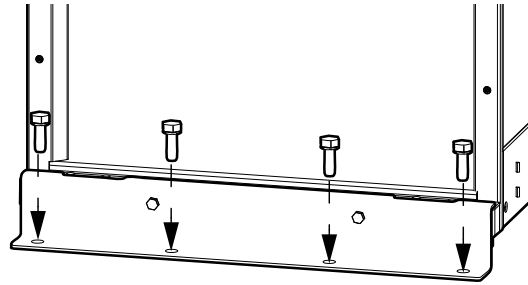


Install the Front Anchoring Bracket

1. Attach the front anchoring bracket to the cabinet.



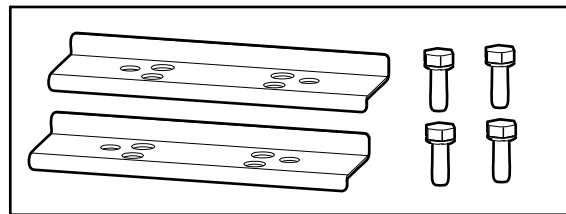
2. Bolt the front anchoring bracket to the floor using floor anchoring bolts (not supplied). Use M12 strength class 8.8 or 1/2 in grade 5 steel bolts.



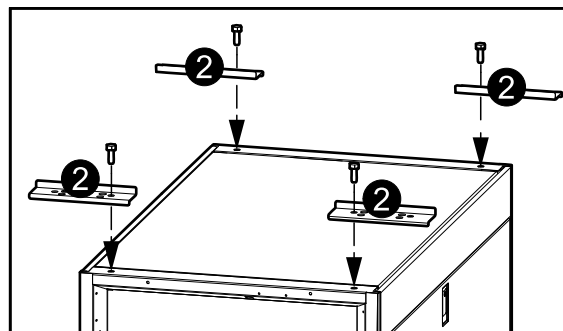
Install the Top Assembly Bracket

Required parts for each assembly:

- Two top assembly brackets
- Four screws



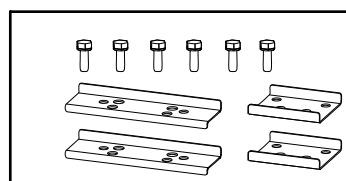
1. **Only applicable for Symmetra PX 100 kW systems:** Dispose of the top assembly brackets supplied with the battery cabinet.
2. Place the top assembly bracket over two adjacent cabinets and attach using two screws.



Install the Assembly Brackets between I/O Cabinet and the Maintenance Bypass

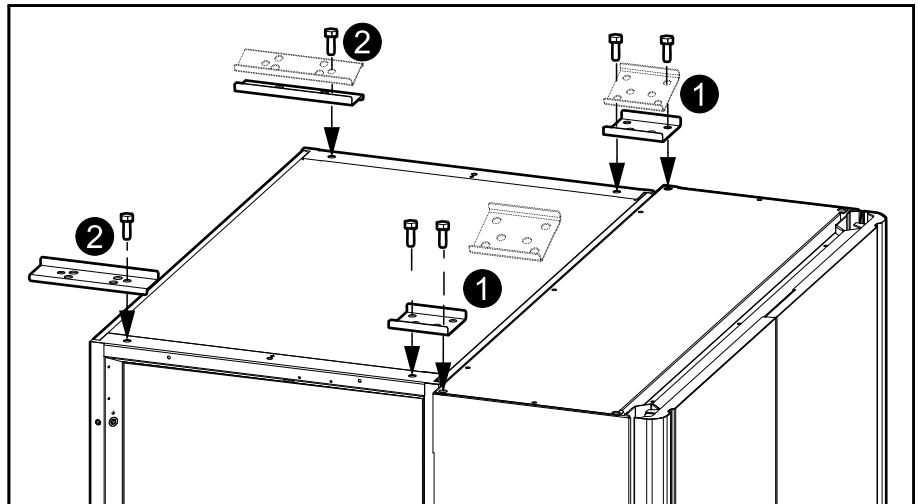
Required parts:

- Four top assembly brackets
- Six screws



1. Place the two narrow top assembly brackets over the corners of the I/O cabinet and the maintenance bypass and attach using the provided four screws.

2. Place the two wide top assembly brackets over the I/O cabinet and the adjacent power module cabinet and attach using the provided two screws.

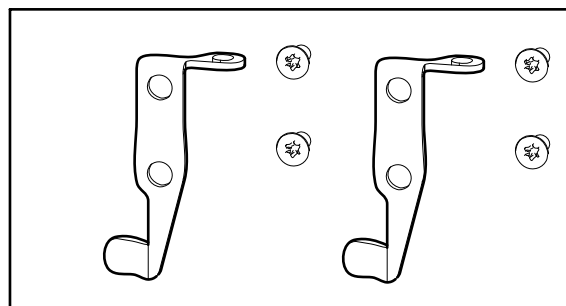


Install the Door Hinge Lock

NOTE: This procedure is only applicable for 600 mm and 750 mm wide cabinets.

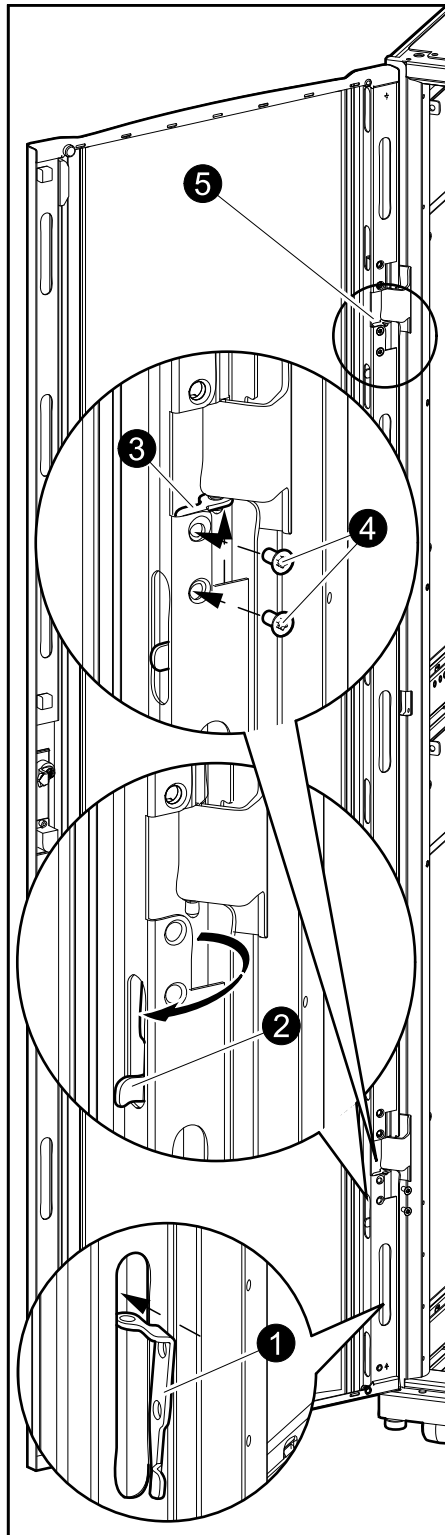
Required parts:

- Two door hinge locks
- Four screws



1. With one hand slide the lock into the hole below the hinge.
2. With the other hand turn the lock 90° while holding the bottom of the lock.
3. Push the lock upwards to the bottom of the hinge.
4. Attach using the two provided screws.

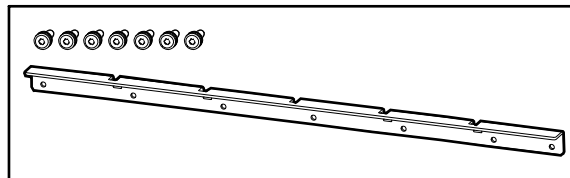
5. Use the same procedure to install the upper door hinge lock.



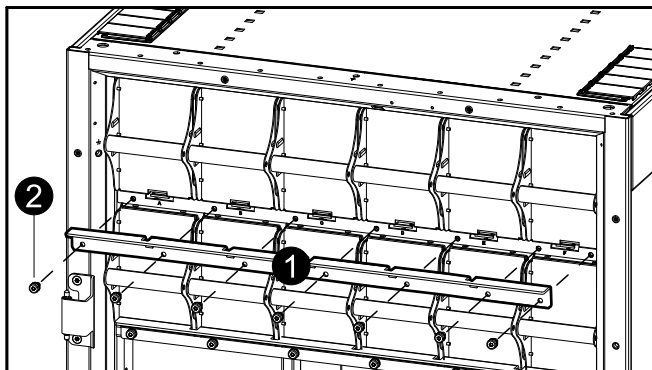
Install the Battery Locks

Required parts:

- Eight battery locks
- 56 screws



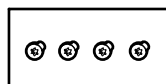
1. Place the battery lock below the battery row.
2. Attach the lock by the seven provided screws.



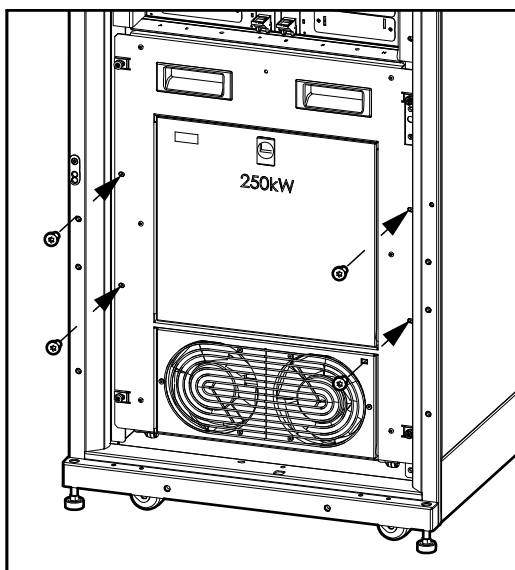
Install the Bypass Static Switch

Required parts:

- Four M5 bolts



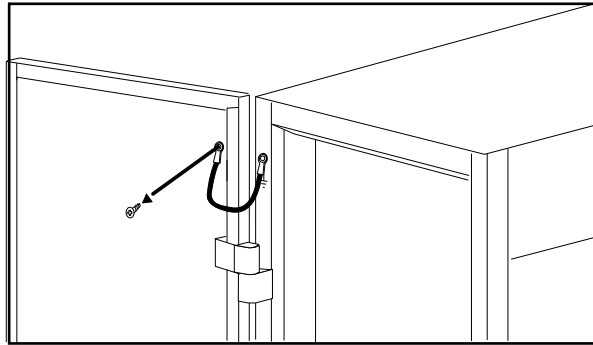
1. Attach the bypass static switch using the four provided bolts.



Install the Air Filter Option in the Power Module Cabinet

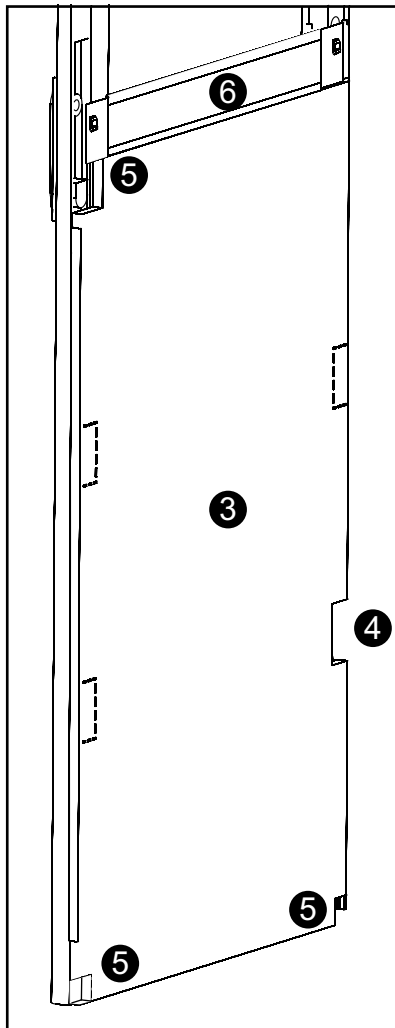
The air filters are used for extra protection of systems installed in environments with conductive dust. Check the air filters once a month. If the air filters show visible dust or other impurities, the air filters must be replaced.

1. Open the front door.
2. Loosen the screws and disconnect the ground wire between the front door and the power module cabinet.



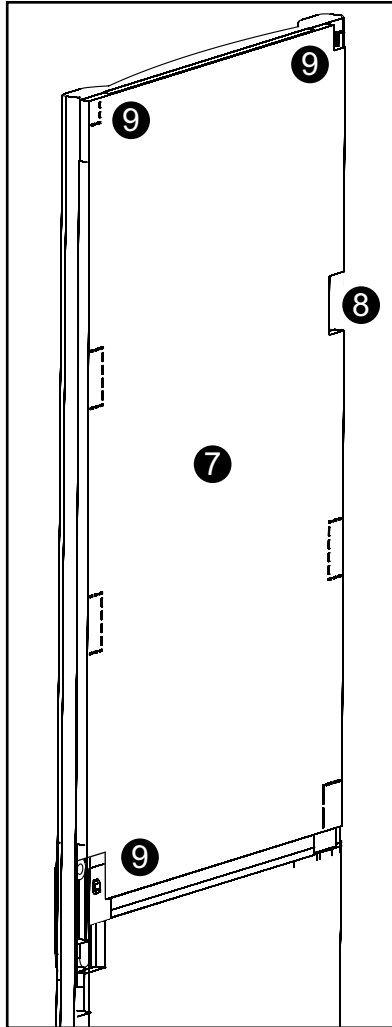
3. Press the bottom air filter plate against the bottom half of the front door.
4. Remove the perforated area in the bottom right of the air filter to get access to the bottom hinge.
5. Remove the three perforated corners marked in the drawing.

6. Install the logo plate.



7. Press the top air filter plate against the top half of the front door.
8. Remove the top right perforated area of the air filter to get access to the top hinge.

9. Remove the three perforated corners marked on the drawing.



10. Reconnect the ground wire disconnected in step 2.

Schneider Electric
35 rue Joseph Monier
92500 Rueil Malmaison
France

+ 33 (0) 1 41 29 70 00



As standards, specifications, and design change from time to time,
please ask for confirmation of the information given in this publication.

© 2013 – 2022 Schneider Electric. All rights reserved.

990-2746P-001