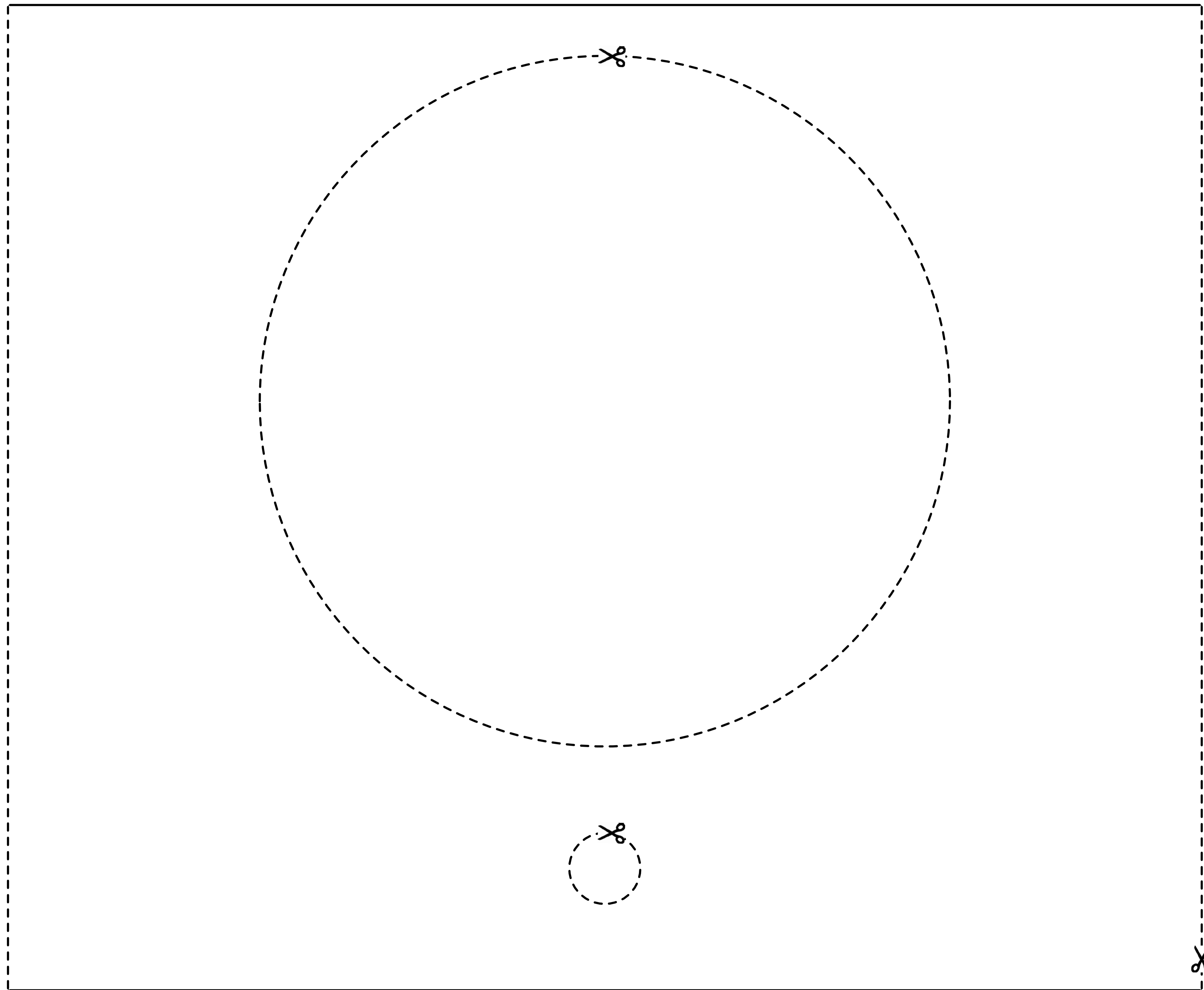
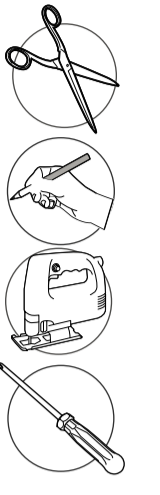
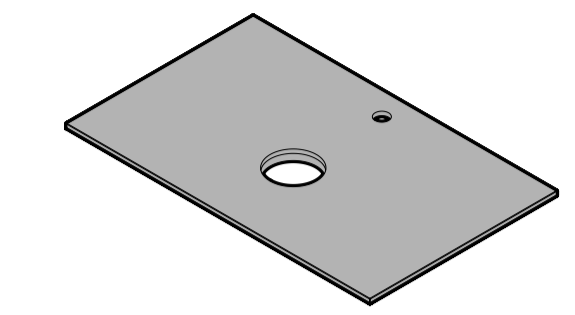


SEMI INSERT WASHBASIN SQUARE INSPIRA



1 Diagram showing the washbasin being placed into the cabinet. A warning icon is present.

2 Diagram showing the washbasin being cut out from the cabinet top. A pair of scissors icon is present.

3 Diagram showing the washbasin being secured with screws. A warning icon and a checkmark icon are present.

4 Diagram showing the washbasin being fully installed in the cabinet. A pair of scissors icon is present.

5 Diagram showing the washbasin being secured with screws. A warning icon, a checkmark icon, and a screwdriver icon are present.

6 Diagram showing the washbasin being secured with screws. A screwdriver icon is present.

7 Diagram showing the washbasin being secured with screws. A screwdriver icon is present.

8 Diagram showing the final installation with a callout box labeled "Q40600077G". A screwdriver icon is present.

DIN A1