

Pebble toilet roll holder

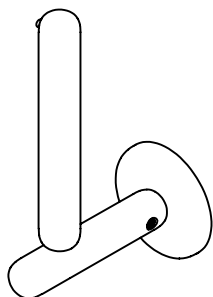
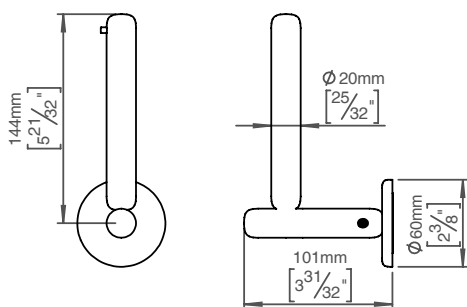


Bjarke Ingels Group collection

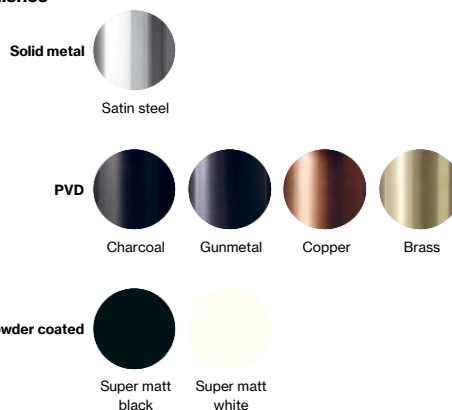
Product 174x101x60mm, satin finish.

Tender text Bjarke Ingels Group collection, pebble toilet roll holder, 174x101x60mm in satin finished AISI 304 stainless steel, self-tapping screws included. 20-year warranty.

Product specification Dimensions: 60x159x111mm
Material: stainless steel AISI 304
Surface finish: satin grain 320, crafted by hand
[20-year warranty \(5 years for coated items\)](#)



Available finishes



Spare parts/ accessories 14970102019 - Grub screw M5x8,3mm
14970145038 - Wood screw Ø4,2x38mm
14970100840 - Fischer Dübel SxØ8x40mm

Mounting <https://dline.com/mounting-instructions/>

Product care

d line products are produced in the highest quality AISI 304 stainless steel. To sustain the unique d line finish please follow the below instructions:

- Wash down the surfaces using soapy water or mild detergent
- Always thoroughly rinse off with clean water
- To complete the cleaning procedure dry/polish the surface with a soft dry cloth

Please do not use scouring powder, steel wool, chloride based detergents or other aggressive cleaning products as these may damage the surface.

If spots or corrosion appear on the surface it is not due to the stainless steel quality, but to impurities in the environment, aggressive conditions or improper or insufficient cleaning.