



PESO NETTO/NET WEIGHT: 19,00 kg

ACCESSORI/ACCESSORIES:

PIL01 - Piletta universale click clack con coperchio in ceramica / Universal push open with ceramic cap

PIL01NM - Piletta universale click-clack NERO MATT con coperchio in ceramica / Universal click-clack drain in MATT BLACK with ceramic lid

PIL01BR - Piletta universale click-clack BRONZO con coperchio in ceramica / Universal click-clack drain in BRONZE with ceramic lid

PIL01CM - Piletta universale click-clack CEMENTO con coperchio in ceramica / Universal click-clack drain in CEMENTO with ceramic lid

PAA - protezione antiurto acustica/ impact and acoustic protection panel

508 - staffa di fissaggio universale per wc e bidet sospesi/universal fixing brackets for wall-hung wc/bidet

FINITURE

FINISHES

○ Bianco/white - glossy

Le Terre di Cielo

- Talco
- Pomice
- Brina
- Arenaria
- Avena
- Cemento
- Basalto
- Lavagna

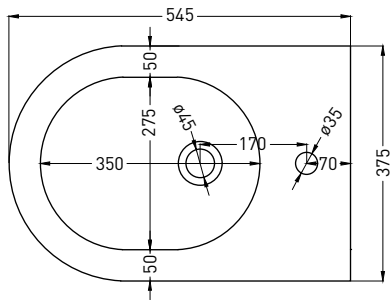
Le Acque di Cielo

- Oltremare
- Smeraldo
- Alga
- Corallo
- Ninfea
- Anemone

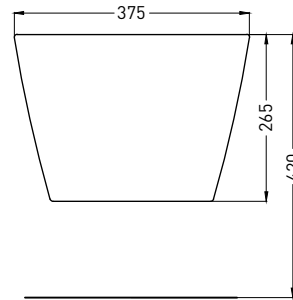


DoP No. 14528.01

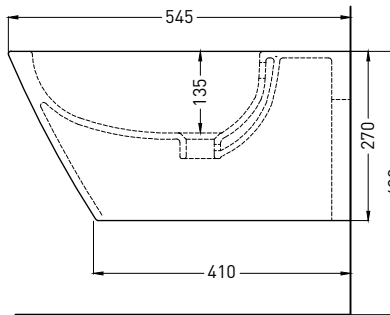
Gennaio 2023



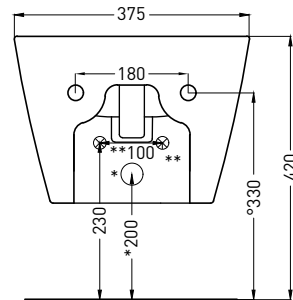
TOP



FRONT



SIDE



BACK

* = water outlet
** = water inlet (hot\cold)
• = fixings

NOTE:

- A. The hole must be round. According to the UNI EN 38 EXTERNAL diameter size must be 15mm after firing process. Tolerance must be +/- 2mm
 - B. The hole must be round. According to the UNI EN 38 INTERNAL diameter size must be 55mm after firing process. Tolerance must be + 3mm - 1mm
 - C. Fixing holes must be round and clear from any obstruction. According to the UNI EN 38 INTERNAL diameter size must be 25mm after firing process. Tolerance must be +/- 3mm
 - D. The hole must be round. According to the UNI EN 38 EXTERNAL diameter size must be 102mm after firing process. Tolerance must be +/- 5mm
 - E. According to the UNI EN 38 the distance MUST be 180mm after firing process. Tolerance must be +/- 5mm
 - F. According to the UNI EN 38 the distance MUST be 35mm after firing process. Tolerance must be +/- 5mm
 - G. According to the UNI EN 38 the distance MUST be 100mm after firing process. Tolerance must be +/- 5mm
 - H. The hole must be round and clear from any obstruction. The diameter size must be 20mm after firing process. Tolerance must be +/- 1mm
- Allowed tolerance on dimensions after firing process: +/- 3mm

ATTENZIONE:

Superfici, pesi e misure riportate possono presentare leggere differenze rispetto ai pezzi reali, in considerazione e accordo delle caratteristiche di tolleranza intrinseche del materiale ceramico e del suo processo produttivo. L'azienda si riserva di cambiare schede tecniche e caratteristiche di funzionamento degli articoli in ogni momento e senza necessità di preavviso.

ATTENTION:

Surfaces, weights and dimensions can show some little differences compared to the real item, following typical intrinsic characteristics of ceramics material and production. The company reserves the right to change any technical specifications/ dimension and/or operating characteristics of the products at any time and without giving notice.