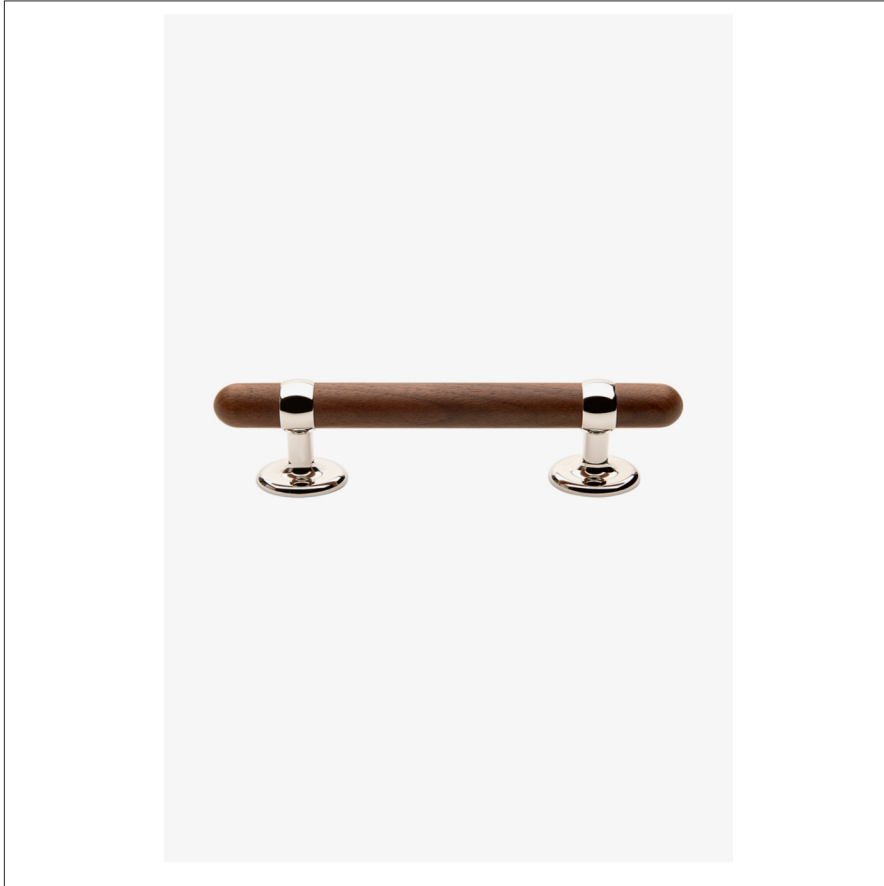


## STOCKTON

Stockton 6 1/4" Walnut Pull

SKHW06



SHOWN IN STOCKTON 6 1/4" WALNUT PULL| SKHW06

### TECHNICAL DETAILS

---

Height: 1 1/4"  
Length: 6 1/4"

### INSPIRATION

---

The Stockton family of pulls combines hand-finished solid brass and solid walnut for a mid-twentieth century modern feel. With transitional appeal, these pieces share a streamlined flavor. Available in two-tone and solid metal finishes.

### PRODUCT FEATURES

---

American Walnut paired with Brass

Walnut is protected with primer and wood lacquer

Solid brass is hand-polished

Includes per fixing: 8-32 Truss Head Machine Screw-Combo-Slotted

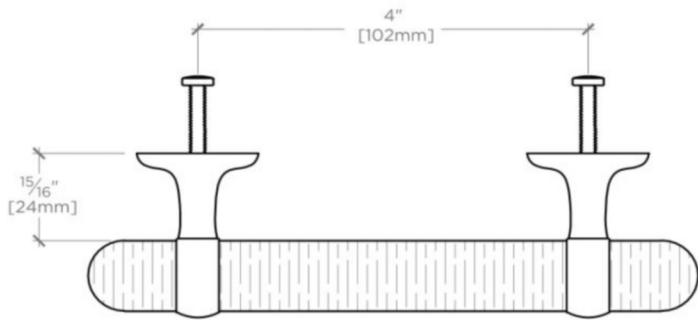
# WATERWORKS

## STOCKTON

SKHW06

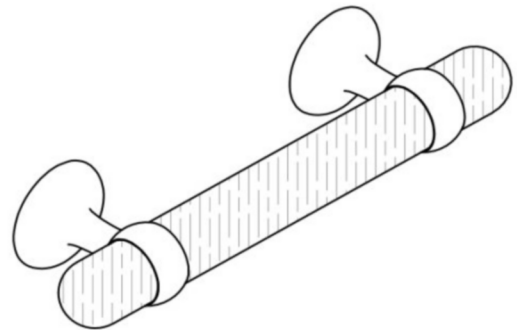
Stockton 6 1/4" Walnut Pull

MOUNTING HARDWARE INCLUDED		
STYLE #	DESCRIPTION	QTY
998945	Service Parts 8-32 1" Truss Head Machine Screw, Combo, Slotted	2
998946	Service Parts 8-32 1 1/2" Truss Head Machine Screw, Combo, Slotted	2



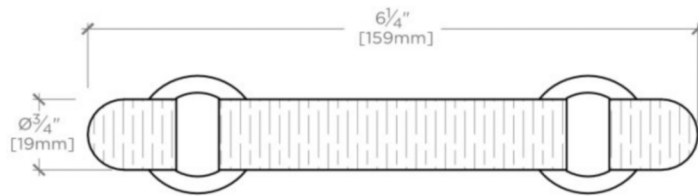
TOP VIEW

SCALE: 6"=1'-0"



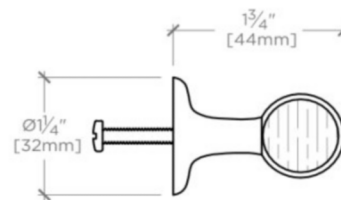
ISO VIEW

SCALE: 6"=1'-0"



FRONT VIEW

SCALE: 6"=1'-0"



SIDE VIEW

SCALE: 6"=1'-0"