

STOCKTON

Stockton 6 1/4" Metal Pull

SKHW07



TECHNICAL DETAILS

Height: 1 1/4"
Length: 6 1/4"

SHOWN IN STOCKTON 6 1/4" METAL PULL | SKHW07

INSPIRATION

The Stockton family of pulls combines hand-finished solid brass and solid walnut for a mid-twentieth century modern feel. With transitional appeal, these pieces share a streamlined flavor. Available in two-tone and solid metal finishes.

PRODUCT FEATURES

Mixed-finish solid brass

Walnut is protected with primer and wood lacquer

Solid brass is hand-polished

Includes per fixing: 8-32 Truss Head Machine Screw-Combo-Slotted

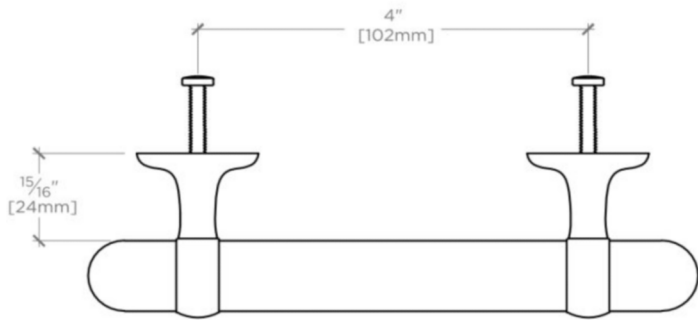
WATERWORKS

STOCKTON

SKHW07

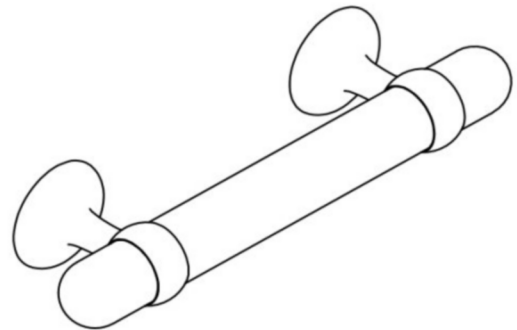
Stockton 6 1/4" Metal Pull

MOUNTING HARDWARE INCLUDED		
STYLE #	DESCRIPTION	QTY
998945	Service Parts 8-32 1" Truss Head Machine Screw, Combo, Slotted	2
998946	Service Parts 8-32 1 1/2" Truss Head Machine Screw, Combo, Slotted	2



TOP VIEW

SCALE: 6"=1'-0"



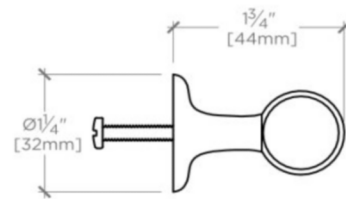
ISO VIEW

SCALE: 6"=1'-0"



FRONT VIEW

SCALE: 6"=1'-0"



SIDE VIEW

SCALE: 6"=1'-0"