

Toilet roll holder f/grab rail

Knud Holscher Collection

d line

PRODUCT DATA SHEET

ITEM NUMBER	SURFACE
14.7501.02.001	Satin Stainless Steel
16.7501.01.000	Polished stainless steel

PRODUCT

Toilet roll holder f/grab rail, f/14/167500, Satin finish D802

PICTURE



TENDER TEXT

Toilet roll holder f/grab rail. Outstanding classic danish design by Knud Holscher. Material: stainless steel AISI 316 satin finish, hinged cantilever. W:19 mm x H:130 mm x D:107 mm.

PRODUCT SPECIFICATION

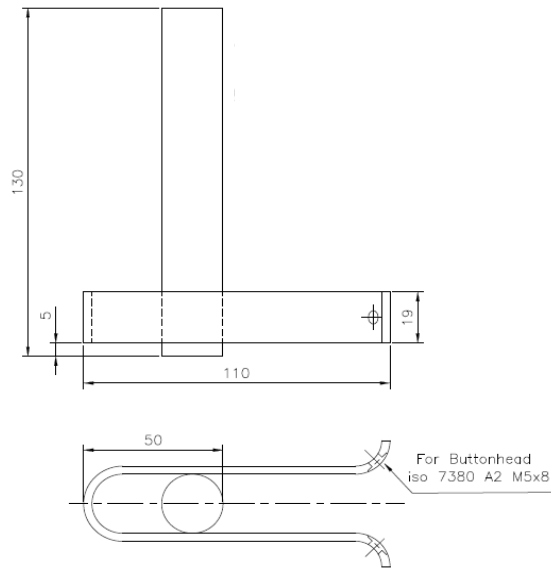
Dimensions: W:19 mm x H:130 mm x D:107 mm.

Material: stainless steel AISI 316

Surface finish: satin grain 320, crafted by hand

Warranty for stainless steel (non movable) parts - 20 years

DRAWING



SPARE PARTS / ACCESSORIES:

14.7500.02.680	Hinged grab rail 680 mm
14.7500.02.850	Hinged grab rail 850 mm
14.7503.02.850	Padding for hinged grab rail

MOUNTING:

Mounting instruction enclosed with product

PACKING:

1pcs per kolli

PRODUCT CARE

d line products are produced in the highest quality stainless steel, marine grade, AISI 316. To sustain the unique d line finish appearance please follow the below instructions:

- Wash down the surfaces using soapy water or mild detergent
- Always thoroughly rinse off with clean water
- To complete the cleaning procedure dry/polish the surfaces with a soft dry cloth

Please do not use scouring powder, steel wool, chloride based detergents or other aggressive cleaning products as these may damage the surface.

If spots or corrosion appear on the surface it is not due to the stainless steel quality, but to impurities in the environment, aggressive conditions or improper or insufficient cleaning.