

Collection

WAVE

Article

WA206

Description

Wall mounted washbasin mixer

Built-in body to be purchased separately INC206XXXN_19

Box Dimensions

265 x 260 x 70 mm

Weight

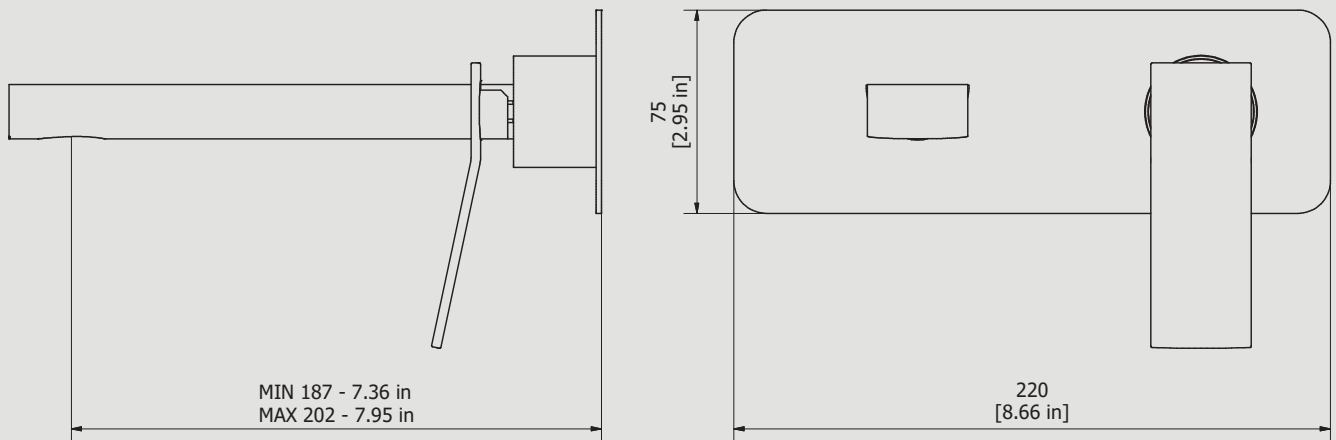
1.7 kg



Finishes

- **CC**
CHROME
- **CF**
BLACK CHROME
- **OO**
GOLD
- **BB**
ANTIQUE BRONZE
- **SS**
BRUSHED NICKEL
- **CS**
BRUSHED BLACK CHROME
- **BO**
MATT WHITE
- **NP**
MATT BLACK
- **IS**
BRUSHED PALE GOLD
- **OS**
BRUSHED GOLD
- **II**
PALE GOLD
- **RR**
ANTIQUE COPPER
- **RS**
ROSE GOLD
- **ON**
NATURAL BRASS
- **SR**
BRUSHED ROSE GOLD
- **PL**
PLATINUM

Dimensions



Cartridge

Ø35 ceramic cartridge

Threaded fitting

Threaded fitting G1/2" female

Aerator

M24x1

Flow Rate (+/-10%)

1 BAR 12.2 l/min	2 BAR 17.4 l/min	3 BAR 21.4 l/min
----------------------------	----------------------------	----------------------------

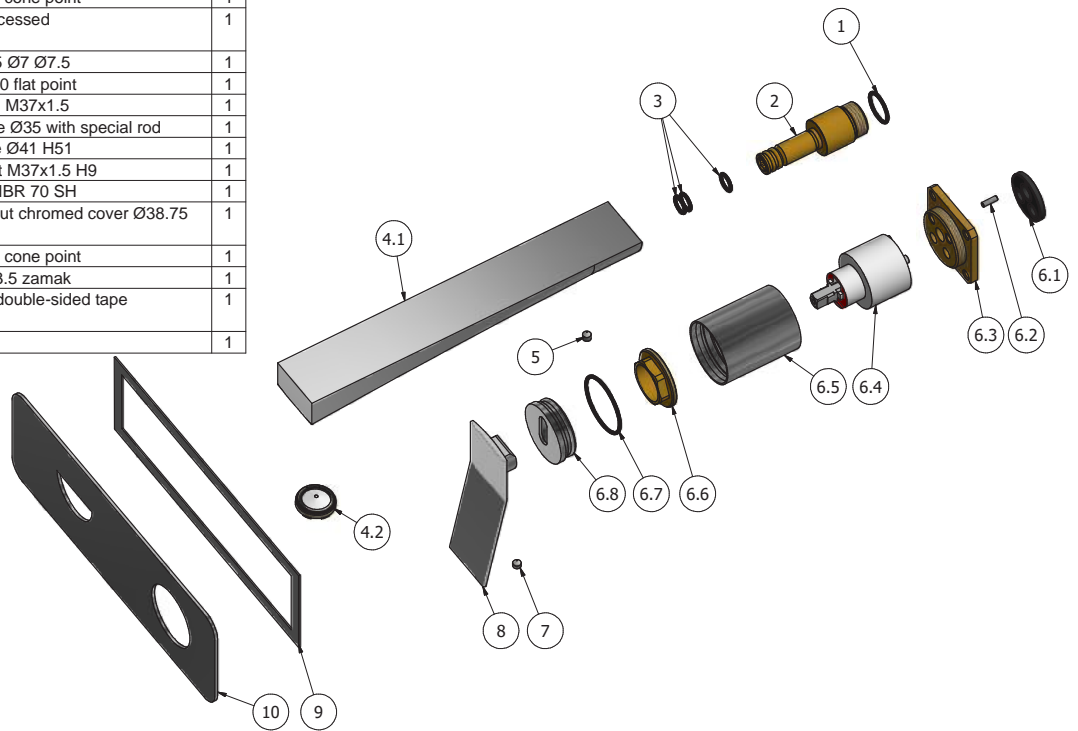
Production

Main body is a single casted pieces

Material

BRASS
According to CuZn35Pb2Al-B (CB752S)
Max Lead content: 1.36%

Parts list			
ELEM	CODE	DESCRIPTION	QT
1	AQ0004630	OR 17.16x1.78 NBR 70 SH	1
2	AS0011579	Connection piece for spout-ou G1/2" L68	1
3	AQ0001340	OR 8.73x1.78 NBR 70 SH	3
4	CP2207CC-1	Preassembled spout-out	1
4.1	AQ0013774	Spout-out 37x20x230	1
4.2	AQ0012140	Aerator NP slim M24x1 (01.5511.0)	1
5	AQ0014670	Grubscrew M5x6 cone point	1
6	CPIN206CC_39	Mixer 47x47 x recessed	1
6.1	AQ0015684	Gasket Ø31 H3.5 Ø7 Ø7.5	1
6.2	AQ0015357	Grubscrew M3x10 flat point	1
6.3	AS0013040	Insert 47x47 H11 M37x1.5	1
6.4	AQ0013189	Ceramic cartridge Ø35 with special rod	1
6.5	AC0011367	Seat for cartridge Ø41 H51	1
6.6	AQ0001040	Cartridge ring nut M37x1.5 H9	1
6.7	AQ0006497	OR 34.65x1.78 NBR 70 SH	1
6.8	AC0011366	Cartridge fixing nut chromed cover Ø38.75 H11.5	1
7	AQ0009729	Grubscrew M5x5 cone point	1
8	AQ0013838	Handle 37x105x3.5 zamak	1
9	AQ0014142	Rubber packing double-sided tape 200x65x8x1	1
10	AC0013125	Plate 220x75x2	1



WARRANTY

All IB Rubinetterie SpA products are warranted for 10 years from the date of purchase, for the following cases:

- Defects of casting, porosity and chrome plating.
- Operating defects caused by incorrect fabrication.

The warranty provides for repair or replacement of products with fabrication defects recognized by our technical office. There is no other type of compensation anche the merchandise must be returned FOB our warehouse. The warranty only cover surface defects (scatches, dings, etc.) on fitting that have not been installed and used, returned in its original packaging with all components. O-ring, gasket seals and components subject to wear proportional to use are warranted for 2 years.

The warranty is void in the following cases:

Error installing and putting the product into service.

Deterioration of finished surfaces due to use of cleaning products containing acids or abrasive substances. Deterioration of surface with finishes other than chrome plating. Their durability is, in fact, dependent on the user's care and gentleness of use.

Deterioration of the fitting due incorrect installation.

Improper repairs and maintenance performed without the company's prior authorization.

The warranty from IB Rubinetterie SpA is not renewable.

Cleaning

We recommended cleaning the finish surfaces with water and soap, using a soft cloth.

Do not use detergents that contain hydrochloric acid or abrasive substances.

