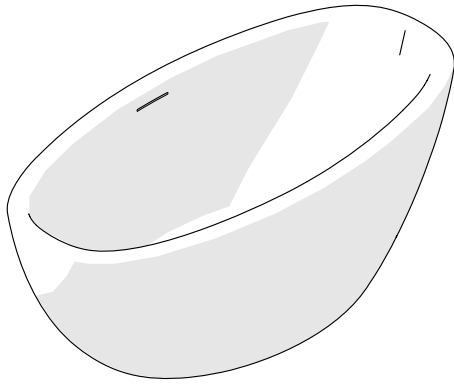


**STYLE No. STBT66**



**SPECIFICATIONS:**

Adjustable Levelers / Feet: No  
Assembly / Configuration: One Piece  
Bathing Type: Bathing and Soaking  
Bottom Angle / Pitch: 1°  
Depth to Overflow: 13 1/2" [342mm]  
Drain Hole Depth: 1 1/4" [32mm]  
Drain Hole Diameter: 2" [51mm]  
Depth / Width: 32" [787]  
Height: 24" [559mm]  
Length: 66" [1701mm]  
Overflow Hole Diameter: 2.0 [51mm]  
Overflow Opening: Yes  
Single or Double Ended: Double Ended  
Water Capacity: 68 gallons [257 Liters]

**REQUIRED PLUMBING DETAILS:**

Universal Push Touch Waste and Overflow Drain  
**STYLE No. UNWO15**

**IMPORTANT:**

- Immediately after receiving the bathtub and removal of packing, you MUST inspect the unit for freight damage. Any claims for damage, whether apparent or hidden, must be made to the carrier immediately in order for them to assume all associated costs. Should inspection reveal any defect in the finish, do not install the bathtub. Damage or defect to the finish claimed after the bathtub is installed is excluded from the warranty. The warranty DOES NOT cover labor or materials to remove or reinstall the bathtub.
- To ensure this product is installed properly, you must read and follow these guidelines.
- The owner/user of this product must keep this information for future reference.
- All final connections are made below the finished floor. Accessibility below the finished floor is recommended.
- For installations that have access from below the finished floor, trap adapters can be used instead of the slip joint gasket supplied with the Universal Push Touch Waste and Overflow Drain (sold separately).

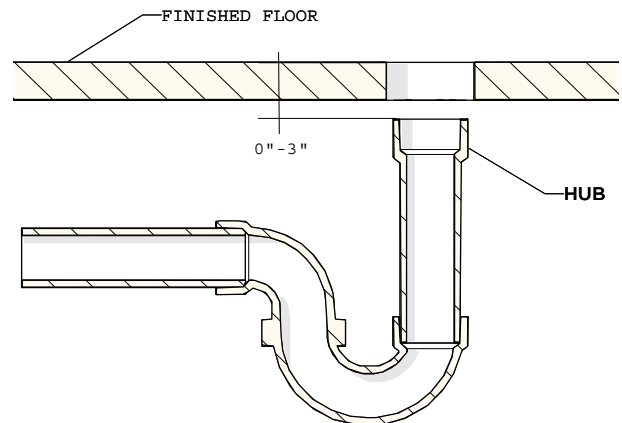
- For installations where access from below the finished floor is limited, i.e. slabs, the slip joint gasket supplied with the Universal Drain Plug Waste and Overflow Drain UNWO15 (sold separately)
- This product must be installed by a professional licensed contractor. Be sure your installation conforms to all federal, state, and local codes.
- Inspect this product to assure it is the correct model and you have all parts required for proper installation. Take all necessary precautions to ensure the tub is protected during installation.
- Ensure the bathtub is properly supported by the skirt and adequate floor support is provided.
- The use of certain plumber's putty may stain stone or tile surfaces.

**FREESTANDING INSTALLATION:**

- Installations that have access from below the finished floor, trap adapters can be used instead of the SLIP JOINT GASKETS
- Universal Waste and Overflow Drain, Style No. UNWO15 is sold separately.

**ROUGH-IN:**

- See Figure - 01 for Steps 1 and 2.
1. Determine the placement of the BATHTUB and mark the floor at the center point of the drain opening then drill a hole through the floor to accommodate the drain.
  2. Rough in a 1-1/2" DWV system (not supplied). Assure all DWV system pipes and fittings are well supported to eliminate the possibility of shifting. Be sure the HUB is 0 to 3" from the finished floor. If there is no access below the floor, position the HUBS as close to the finished floor as possible for easier installation. See Figure - 01



**FIGURE - 01**

These guidelines have been prepared for the professional contractor to aid in the installation of:  
**STYLI 66" x 32" x 24" FREESTANDING ACRYLIC OVAL BATHTUB (STYLE No. STBT66)**  
All dimensions are based on original specification and are subject to change and variation.  
Please consult your Design Associate for current specifications.

**WATERWORKS**

## CUTTING TAIL PIECES TO LENGTH:

- Place SLIP JOINT GASKET in DRAIN HUB.
- Measure and cut the OVERFLOW the DRAIN TAILPIECE so that it will extend 1" [25mm] past the SLIP JOINT GASKET when installed. See Figure - 02.

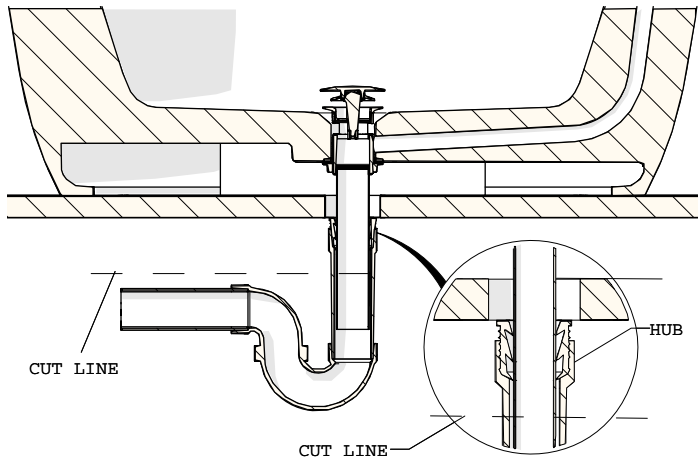


FIGURE - 02

## TUB INSTALLATION:

- Cover the floor with a pad or other protective material and gently rest the BATHTUB on its side to allow for final drain and overflow installation.

➤ See Figure - 03 for Steps 6 - 9.

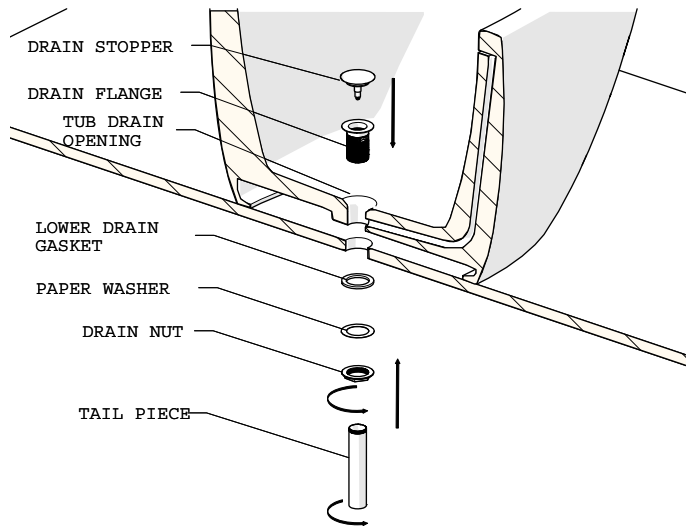


FIGURE - 03

- Unthread the TAILPIECE from the DRAIN FLANGE, then unthread the DRAIN NUT and remove the LOWER DRAIN GASKET, and the PAPER WASHER.

- Apply a generous bead of silicone or putty to the UPPER DRAIN GASKET, and set the DRAIN FLANGE in the tub drain opening.
  - Apply a bead of silicone to the LOWER DRAIN GASKET, and install on the DRAIN FLANGE along with the PAPER WASHER, and secure with the DRAIN NUT.
  - Install the TAILPIECE into the DRAIN FLANGE. Thread sealant is recommended on the TAILPIECE threads.
- See Figure - 04 for steps 10 - 12

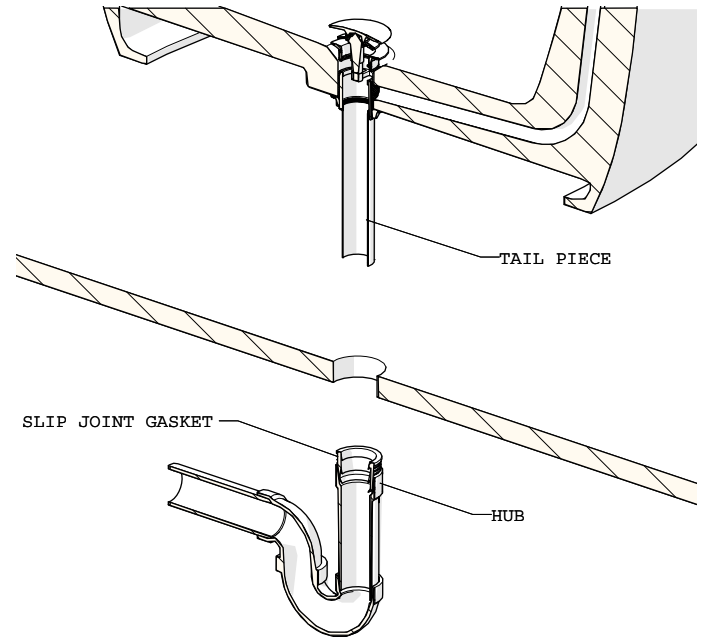


FIGURE - 04

- Apply a generous coating of silicone sealant to both the inside and outside of the SLIP JOINT GASKET, and place them in the HUB
  - Position the TUB, so the TAILPIECE is positioned over the DRAIN HUB.
  - Lower the TUB so the DRAIN TAILPIECE fits into the SLIP JOINT GASKET.
- NOTE:** The silicone will act as a lubricant then act as a seal when it cures.
- Verify the BATHTUB rests on its skirt and is level. If needed, add shims beneath the skirt.

## FINISH AND INSPECT THE INSTALLATION:

- Fill the BATHTUB with water to the point where water enters the overflow opening. Drain the BATHTUB while inspecting all connections above and below the flooring for leaks.

15. Run a bead of tub and tile caulk around the bottom edge of the tub where it meets the finished floor and finished walls for alcove installation.
  16. Wipe away any excess caulk with a wet paper towel.
  17. Cover the BATHTUB surface with a liner or other form of protection until construction is completed.
- If further assistance is required, please contact Product Support at 1-800-927-2120 Monday through Friday, 8am - 7pm EST.

**WARNING:** The following basic safety precautions should always be followed when using your bathtub.

- Caution should always be exercised when entering or leaving the bathtub.
- **DANGER:** To reduce the risk of injury, do not permit children or persons with a disability to use the bathtub without close supervision.
- Keep all electrical appliances such as radios and hairdryers a safe distance from the bathtub.
- Do not use the bathtub when sleepy or drowsy, under the influence of alcohol or prescription medications or when overheated.