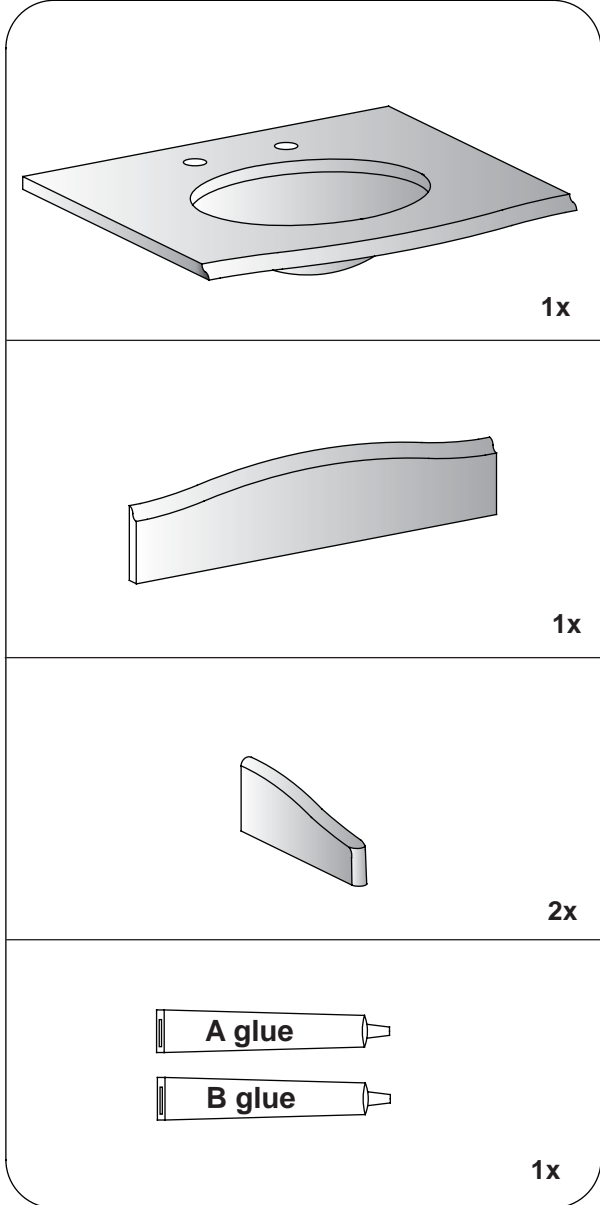
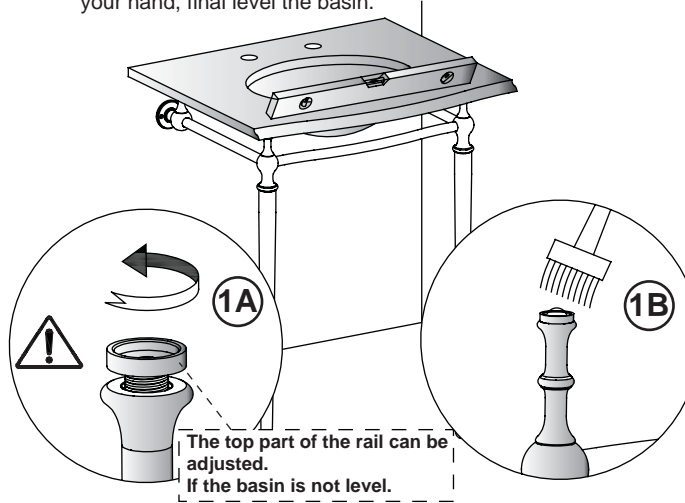


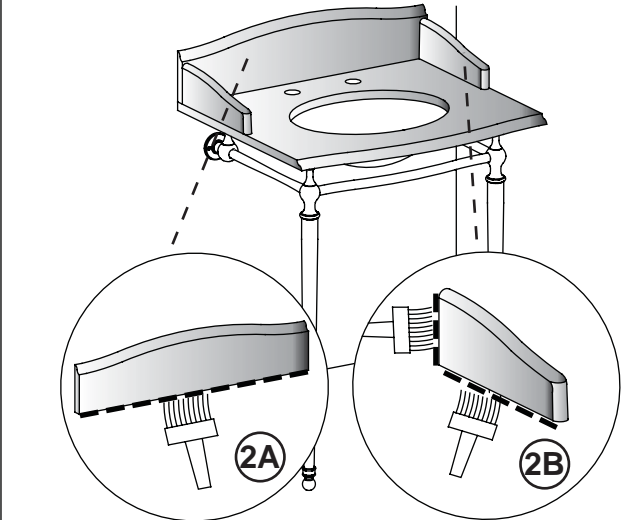
Parts supplied:



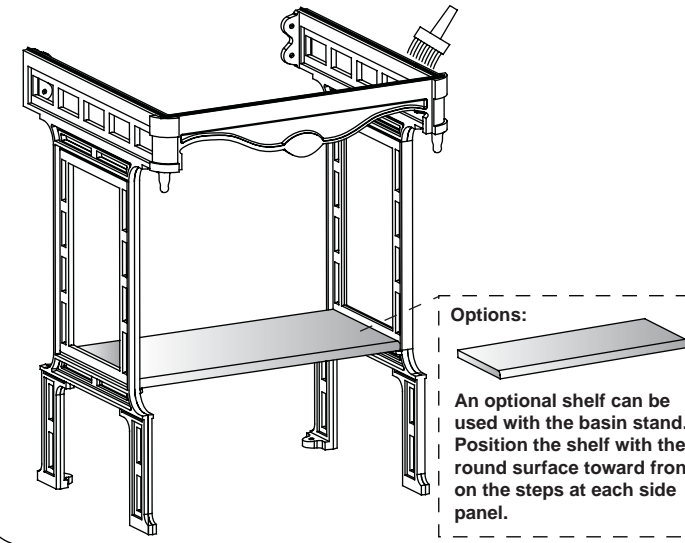
1 Place the basin in position and use the adjustable brackets (1A) to level. Use a spirit level to ensure the worktop is level. Attach the AB glue into the 4 bracket heads (1B). Reposition the basin and apply gentle pressure with the base of your hand, final level the basin.



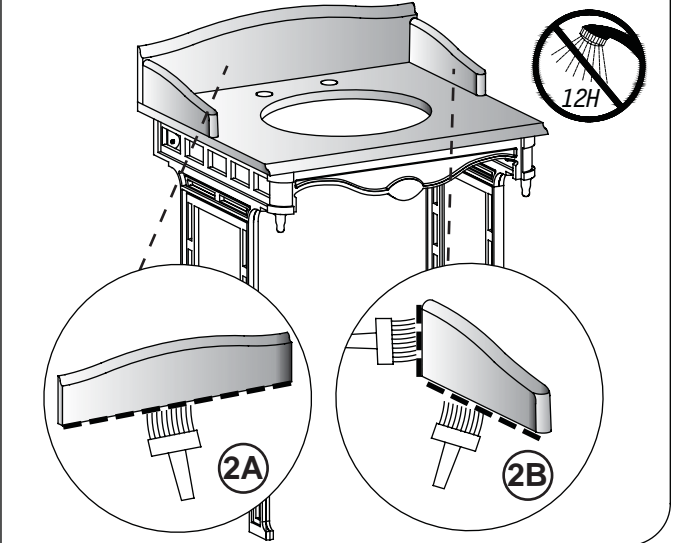
2 Spread the AB glue on the bottom & back of the rear splash back (2A), push the rear splash back into position. Repeat, if necessary with the side splashes (2B).



1 Spread the AB glue on the top surface of the basin stand. Position the basin and apply gentle pressure with the base of your hand, final level the basin.



2 Spread the AB glue on the bottom & back of the rear splash back (2A), push the rear splash back into position. Repeat, if necessary with the side splashes (2B).



GRANIT/MARBLE CARE & MAINTENANCE

Your new granite/marble vessel top has been factory sealed and polished to a smooth glass finish. In order to maintain the surface and keep it looking fresh and natural, we recommend the following procedures:



- For routine maintenance and cleaning, you should clean the granite/ marble at least once a week or more frequently with warm soapy water.
- Liquid spills, such as alcohol, medications, etc should be cleaned up promptly. Some liquids with high-acid content can etch granite/marble surfaces if left for any length of time.
- Popular products that should be promptly cleaned up are: shaving cream, toothpaste, perfume, cologne, nail polish remover, hair coloring and perm products, shampoo, drain opener, and toilet bowl cleaner.
- Place protective pads on the bottoms of any heavy objects, such as pottery, appliances, or other objects that may scratch the granite/marble surface.
- Avoid abrasive cleaners or rough cleaning pads. If necessary, a soft buffing pad can be used.
- Check the chemical content of your cleaning products to ensure that they contain no laquer removing chemicals.
- Use coasters under drinking glasses to prevent glass rings on the surface.
- Do not stand on the granite/marble top to fix overhead lights or other items. Do not place extremely heavy items on the top.