

## Cooker hob - Modular Induction Plate 7361 270

Cooker hobs

Code: 7361 270



### DETAILS

Coloring Black

Material Ceramic glass

Supply Single-phase: 230 V; 1P + N; Two-phase 400 V; 2P + N; 50.60 Hz

Edge/Installation Type Flush-mount | Top-mount

Dimensions Ø 270 mm

Full description Induction plate ø 270 mm - black - for Modular Induction system

Heating element single zone

Total power 1.100 (1.400)\* W

Power settings 9 power settings per zone + Powerboost

Safety

Safety equipment

---

Type

Induction Hob

---

Type of commands

Touch Control

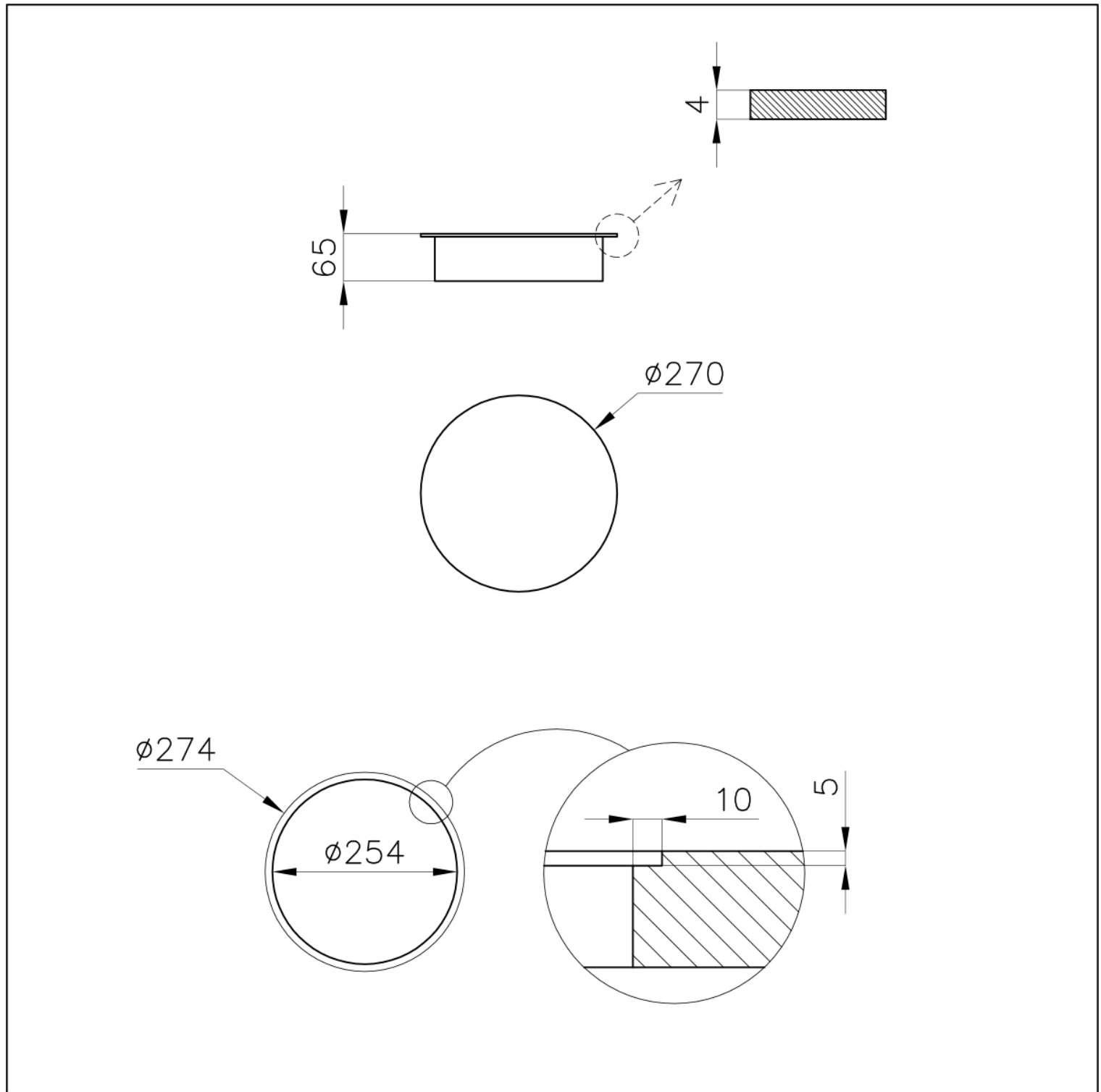
---

Notes:

\* Powerboost

---

## TECHNICAL DATA



## OPTIONAL ACCESSORIES



Induction Pro - Cookware set -  
8pcs 8210 008

## RECOMMENDED PAIRINGS



Cooker hob Touch Control  
Modular Induction 7368 020



Cooker hob Touch Control  
Modular Induction 7368 030



Cooker hob Touch Control  
Modular Induction 7368 040



Modular Induction 7369 020 -  
Connection Box



Modular Induction 7369 030 -  
Connection Box



Modular Induction 7369 040 -  
Connection Box