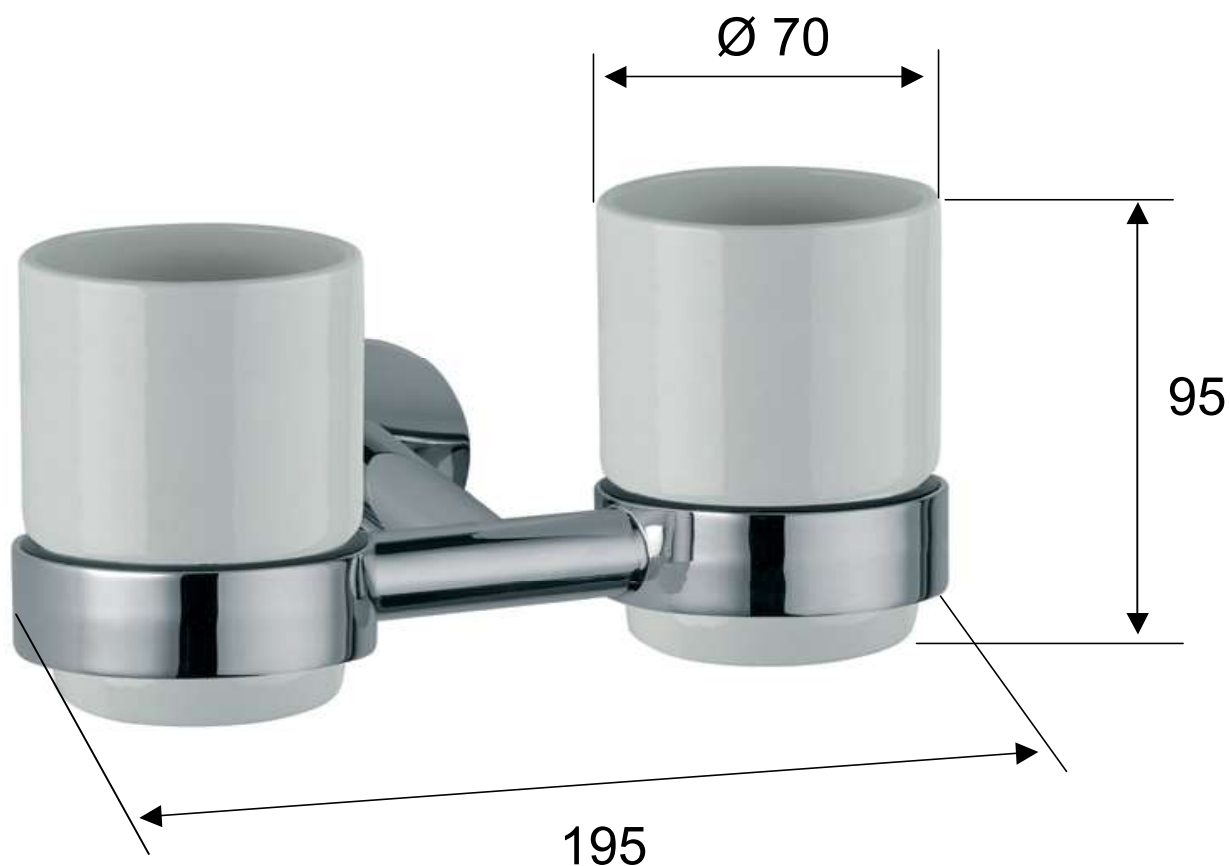


ART. COD. **HIPB941**



MATERIALI / MATERIALS

OTTONE CROMATO / CHROME PLATED BRASS
CERAMICA / CERAMIC

CROMATURA / CHROME PLATING

UNI EN 248