

Galaxy Lithium-ion Battery Cabinet




Safety Precautions

⚠ WARNING
<p>HAZARD OF ELECTRIC SHOCK, EXPLOSION, OR ARC FLASH</p> <ul style="list-style-type: none"> Do not unpack the units before the time of installation. Cover the units and store the units in a temperature controlled indoor environment free of conductive contaminants and humidity, where the units are protected from moisture until the time of start-up. Moisture inside the cabinet can create hazardous short circuits. <p>Failure to follow these instructions can result in death, serious injury, or equipment damage.</p>

Storage

NOTICE
<p>RISK OF EQUIPMENT DAMAGE</p> <p>Batteries should not be stored beyond 12 months from the date of production. If they are stored for longer the calendar degradation will cause the batteries to be irreversible degraded beyond what is expected – a reduced runtime will be the consequence. Performance guarantee will be measured from the time of deployment or from production date +12 months, whichever comes first.</p> <p>Failure to follow these instructions can result in equipment damage.</p>

If the equipment is to be stored prior to installation, it should be stored in a cool, dry, well-ventilated location that is protected against rain, splashing water, chemical agents, etc. The equipment should be covered with a tarpaulin or plastic wrapper to protect it against dust, dirt, paint, or other foreign materials.

		
Storage temperature: 0 °C to 40 °C (32 °F to 104 °F)	Relative humidity: 0–90% Non-condensing	Altitude: 0-3000 m (0-10000 ft)

Shipping Weights and Dimensions

Commercial reference	Weight kg (lbs)	Height mm (in)	Width mm (in)	Depth mm (in)
LIBSESMG13IEC/ LIBSESMG13UL LIBSESMG16IEC/ LIBSESMG16UL LIBSESMG17IEC/ LIBSESMG17UL (LIBSMGCABIEC/ LIBSMGCABUL)	211 (465)	2150 (84.65)	1200 (47.24)	800 (31.50)
LIBSMG95MODA LIBSMG95MODB	17 (37.4)	215 (8.47)	485 (19.1)	297 (11.7)

NOTE: The battery cabinets are shipped without batteries. The battery modules are shipped separately per the chosen configuration with 13, 16, or 17 battery modules.

Weights and Dimensions

Commercial reference	Weight kg (lbs)	Height mm (in)	Width mm (in)	Depth mm (in)
LIBSESMG13IEC/ LIBSESMG13UL	415 (915)	1970 (77.56)	650 (25.59)	587 (23.11)
LIBSESMG16IEC/ LIBSESMG16UL	470 (1036)	1970 (77.56)	650 (25.59)	587 (23.11)
LIBSESMG17IEC/ LIBSESMG17UL	490 (1080)	1970 (77.56)	650 (25.59)	587 (23.11)

Receiving

External Inspection

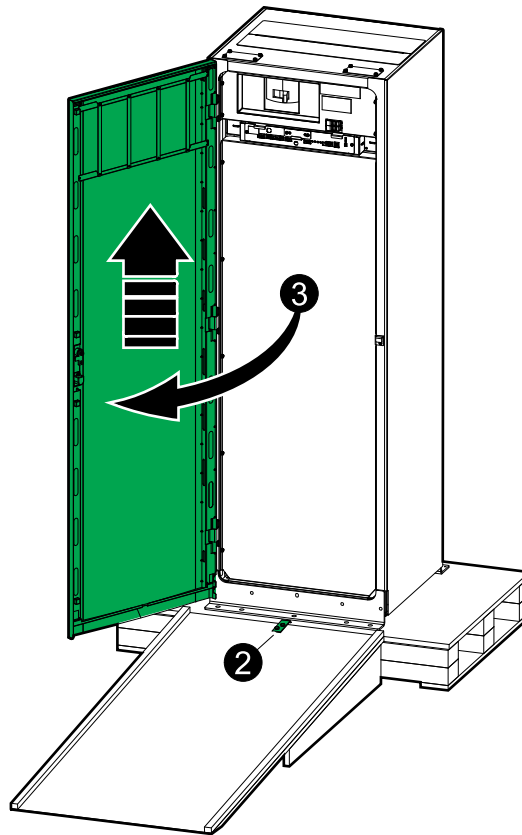
When the shipment arrives, inspect the shipping material for any signs of damage or mishandling. Check tilt and impact indicators. Do not attempt to install the system if a damage is apparent. If any damage is noted, contact Schneider Electric and file a damage claim with the shipping agency within 24 hours.

Compare the components of the shipment with the bill of lading. Report any missing items to the carrier and to Schneider Electric immediately.

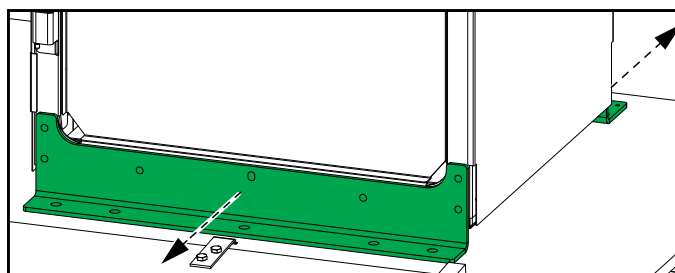
Verify that labelled units match the order confirmation.

Remove the Battery Cabinet from the Pallet

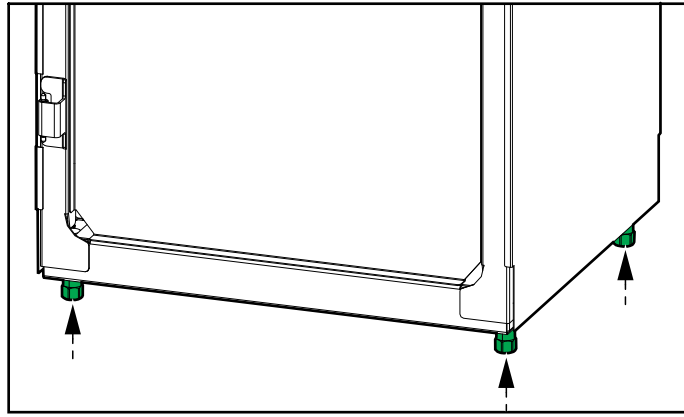
1. Remove the shipping material.
2. Place the ramp in front of the pallet and fasten to the pallet using the provided bracket.



3. Open the front door, lift it up and remove it.
NOTE: The front door can only be opened 120°.
4. Remove the front and rear shipping brackets.
NOTE: Save the front and rear shipping brackets for seismic anchoring (if applicable).



5. Turn the levelling feet until they reach the top position.



6. Wheel the battery cabinet down from the pallet.

⚠ CAUTION

HEAVY LOAD

- Two persons are required to wheel the battery cabinet down from the pallet.
- Support the battery cabinet when wheeling it down from the pallet as the battery cabinet is top heavy.

Failure to follow these instructions can result in injury or equipment damage.

