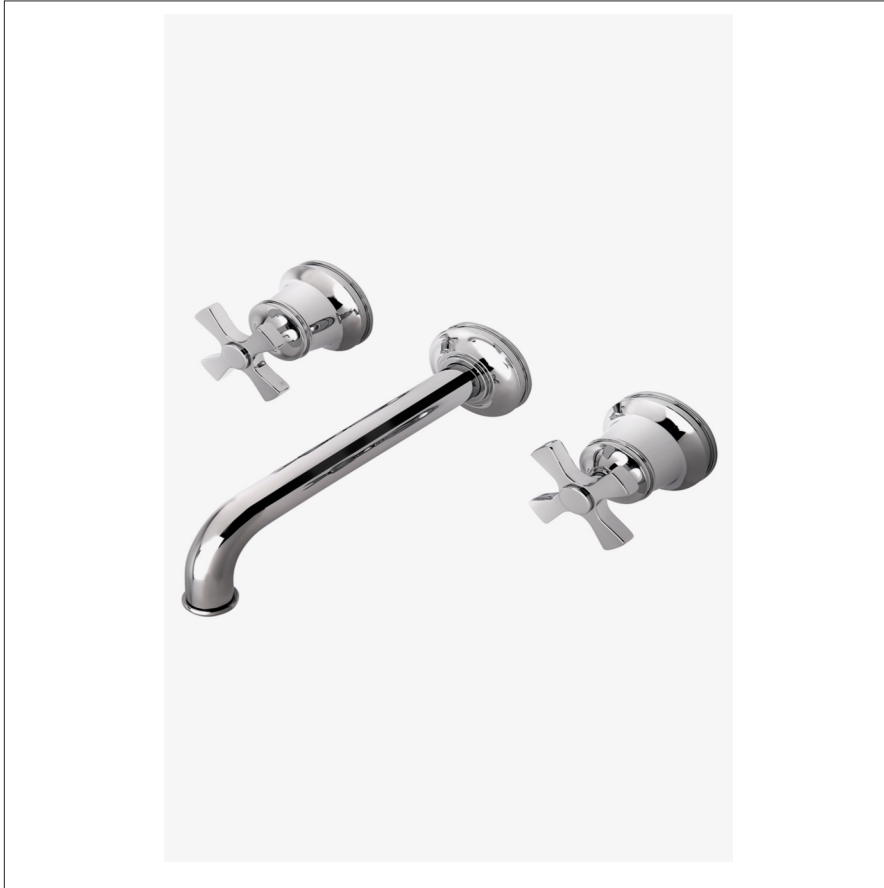


TRANSIT

TRLS60

Transit Low Profile Three Hole Wall Mounted Lavatory Faucet with Metal Cross Handles



SHOWN IN TRANSIT LOW PROFILE THREE HOLE WALL MOUNTED LAVATORY FAUCET WITH METAL CROSS HANDLES|TRLS60

TECHNICAL DETAILS

ADA Compliance: Yes
 Control Valve Rough-in Depth Maximum: 5 5/8"
 Control Valve Rough-in Depth Minimum: 3"
 Drain Assembly Materials: Brass
 Drain Style: USA Lift & Turn
 Escutcheon Primary Material: Brass
 Fittings Hole Diameter: 1 3/8"
 Flow Restriction Options: 1.0 , 1.2 , 1.5 , 1.75, 2.2
 Handle Spread Maximum: 8"
 Handle Spread Minimum: 8"
 Handle Turn Angle: Quarter Turn
 Height: 3"
 Inlet Connection Size: 1/2"
 Inlet Connection Type: Female NPT
 Inlet Supply Spread Maximum: 8"
 Inlet Supply Spread Minimum: 8"
 Length: 10 3/4"
 Number of Holes: Three Hole
 Primary Material: Brass
 Restricted Maximum Flow Rate: 1.2 gpm
 Valve Material: Brass, Ceramic
 Water Pressure Maximum: 80.0 psi
 Water Pressure Minimum: 20.0 psi
 Water Pressure Recommended: 45.0 psi

INSPIRATION

Stylish simplicity that fits into any decor. Each design represents a sophisticated mix of modern and traditional influences, streamlined into a sculpted and tapered look.

CODES & STANDARDS

Code # TRLS60: CEC

PRODUCT FEATURES

USA style drain included

This item is stocked in a Chrome, Nickel and Unlacquered Brass finishes.

Cross Handles

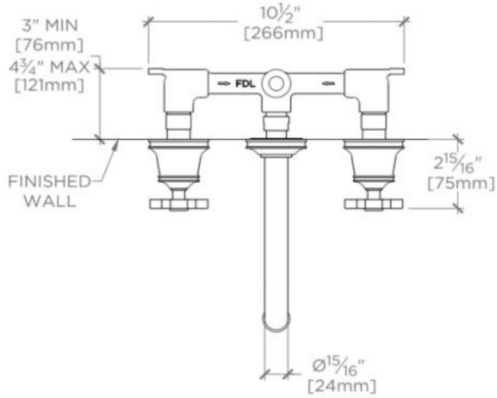
Standard flow rate is 1.2gpm (4.5 L/min) and meets State of California requirements. Also available in other flow options. Contact a sales associate for details.

WATERWORKS

TRANSIT

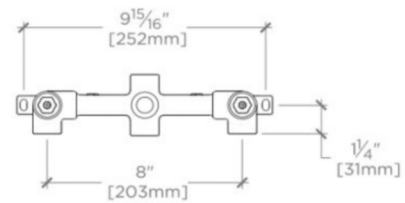
TRLS60

Transit Low Profile Three Hole Wall Mounted Lavatory Faucet with Metal Cross Handles



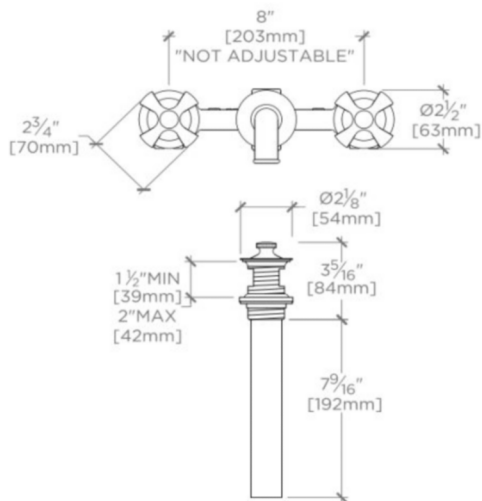
TOP VIEW

SCALE: 1/2"=1'-0"



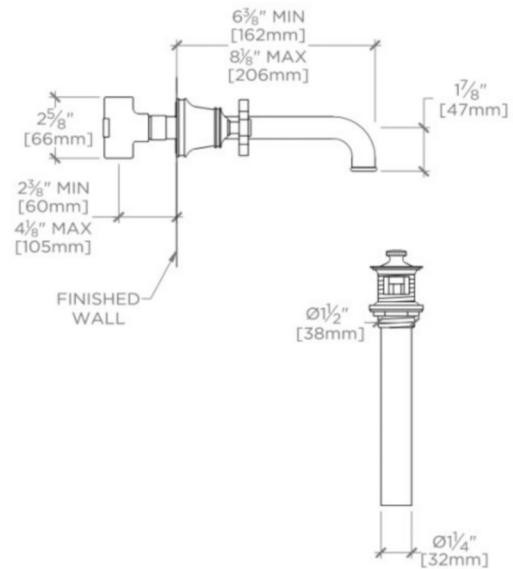
VALVE FRONT VIEW

SCALE: 1/2"=1'-0"



FRONT VIEW

SCALE: 1/2"=1'-0"



SIDE VIEW

SCALE: 1/2"=1'-0"