



WE ARE IB

Collection

HEYJOE!

Article

EHJ312

Description

Exposed parts for manual wall mixer with three ways diverter

Built-in body to be purchased separately INC312.

Box Dimensions

150 x 190 x 98 mm

Weight

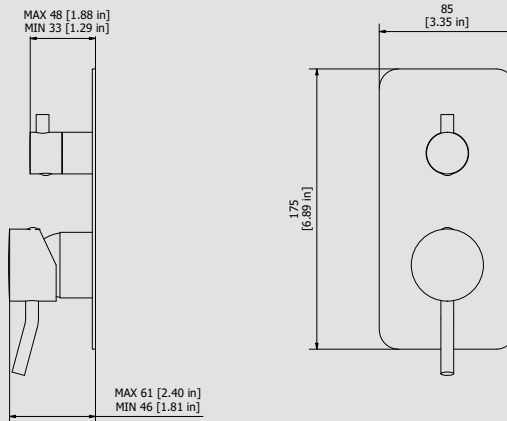
1.8 kg

Finishes

- **CC**
CHROME
- **CF**
BLACK CHROME
- **BG**
GLOSSY WHITE
- **NG**
GLOSSY BLACK
- **SS**
BRUSHED NICKEL
- **CS**
BRUSHED BLACK CHROME
- **BO**
MATT WHITE
- **NP**
MATT BLACK
- **OO**
GOLD
- **BB**
ANTIQUY BRONZE
- **II**
PALE GOLD
- **RR**
ANTIQUY COPPER
- **ORS**
ROSE GOLD
- **ON**
NATURAL BRASS
- **IS**
BRUSHED PALE GOLD
- **HH**
PVD CHOCOLATE



Dimensions



Cartridge

IB 35 mms Ceramics Discs Cartridge

Treaded fitting

-

Aerator

-

Flow Rate (+/-10%)

1 BAR
8.3 l\min

2 BAR
11.7 l\min

3 BAR
14.3 l\min

Production

Main body is a single casted pieces

Material

BRASS
According to CuZn35Pb2Al-B (CB752S)
Max Lead content: 1.36%

IB RUBINETTERIE s.p.a
via dei Pianotti 3/5
25068 Sarezzo (BS) - Italy -

T. +39 030 802101
F. +39 030 803097
info@weareib.it

P.IVA 01785230986
capitale sociale
€420.000,00 i.v.

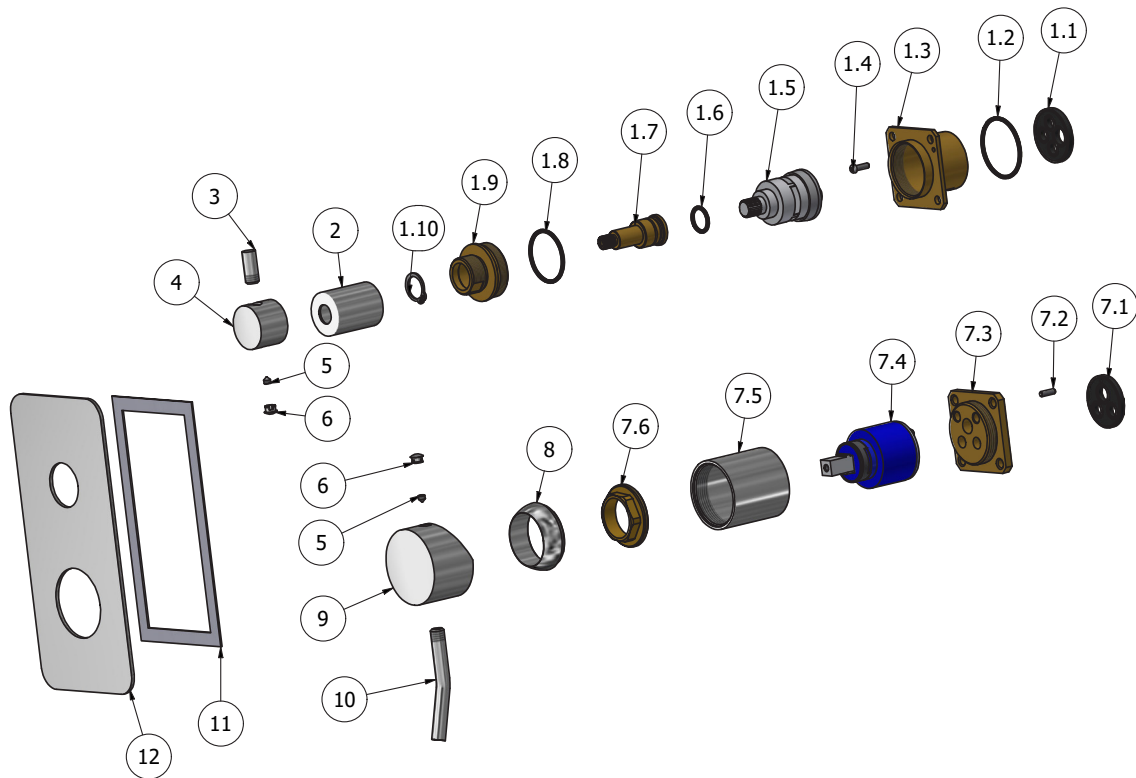
www.weareib.it





WE ARE IB

Parts list			
ELEM	CODE	DESCRIPTION	QT
1	CPDEV3VCCXN_1	Preassembled diverter three ways	1
1.1	AQ0015686	Rubber Ø32 H4	1
1.2	AQ0008026	OR 33.05x1.78 NBR 70 SH	1
1.3	AS0013047	Insert 47x47x32	1
1.4	AQ0012206	Inox screw M3x10	1
1.5	AQ0014857	Diverter cartridge 3 outlets 180°	1
1.6	AQ0004610	OR 12.42x1.78 NBR 70 SH	1
1.7	AS0013048	Rod Ø17.9 H42.4	1
1.8	AQ0010597	OR 28.3x1.78 NBR 70 SH	1
1.9	AS0013050	Junction M32x1 M22x1 H23	1
1.10	AQ0015748	Seeger ring Ø14 H1	1
2	AC0013054	Ring Ø26 M22x1 F H33	1
3	AC0007092	Handle knob M8 H19	1
4	AC0011372	Diverter's knob Ø26 H20	1
5	AQ0001082	Grubscrew M4x4 cone point	2
6	AQ0006650	Plug cover Ø7	2
7	CPIN206CC-19	Mixer 47x47 x recessed	1
7.1	AQ0015684	Gasket Ø31 H3.5 Ø7 Ø7.5	1
7.2	AQ0015357	Grubscrew M3x10 flat point	1
7.3	AS0013040	Insert 47x47 H11 M37x1.5	1
7.4	AQ0004095	Ceramic cartridge Ø35 9x9 (K35A)	1
7.5	AC0010445	Ring for recessed shower mixer	1
7.6	AQ0001040	Cartridge ring nut M37x1.5 H9	1
8	AQ0003630	Cartridge ring nut cover M37x1.5	1
9	AC0009805	Handle Ø45 H29	1
10	AC0007112	Rod for lever L67.6 Ø8	1
11	AQ0012239	Rubber packing double-sided tape 145x75x8x1	1
12	AC0013101	Plate 175x85 x2 312-310	1





WE ARE IB

WARRANTY

All IB Rubinetterie SpA products are warranted for 10 years from the date of purchase, for the following cases:

- Defects of casting, porosity and chrome plating.
- Operating defects caused by incorrect fabrication.

The warranty provides for repair or replacement of products with fabrication defects recognized by our technical office. There is no other type of compensation anche the merchandise must be returned FOB our warehouse. The warranty only cover surface defects (scatches, dings, etc.) on fitting that have not been installed and used, returned in its original packaging with all components. O-ring, gasket seals and components subject to wear proportional to use are warranted for 2 years.

The warranty is void in the following cases:

Error installing and putting the product into service.

Deterioration of finished surfaces due to use of cleaning products containing acids or abrasive substances. Deterioration of surface with finishes other than chrome plating. Their durability is, in fact, dependent on the user's care and gentleness of use.

Deterioration of the fitting due incorrect installation.

Improper repairs and maintenance performed without the company's prior authorization.

The warranty from IB Rubinetterie SpA is not renewable.

Cleaning

We recommended cleaning the finish surfaces with water and soap, using a soft cloth.

Do not use detergents that contain hydrochloric acid or abrasive substances.

