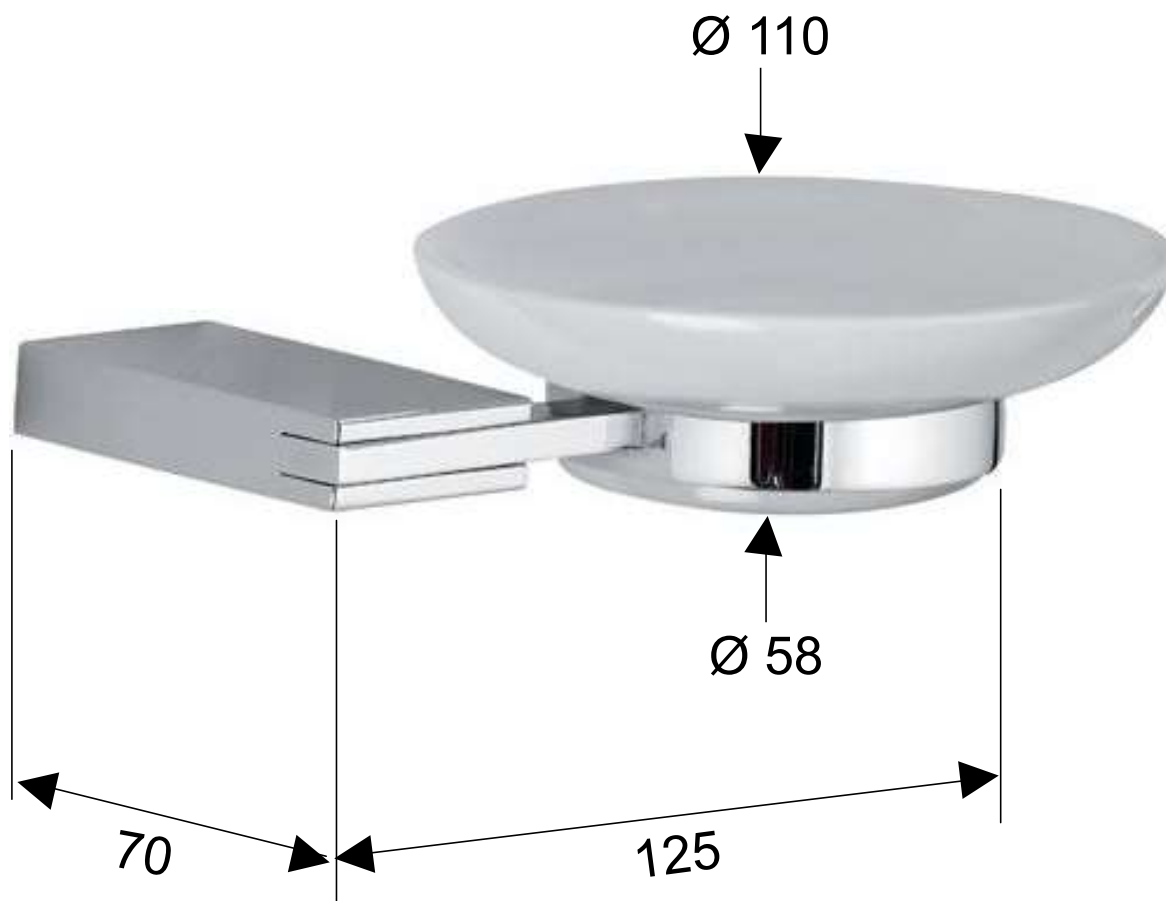


ART. COD. **WIPS950**



MATERIALI / MATERIALS

OTTONE CROMATO / CHROME PLATED BRASS
CERAMICA / CERAMICS

CROMATURA / CHROME PLATING

UNI EN 248