

SET LIVING CITY BY LAUFEN

Countertop basin / cuttable with electronic faucet control

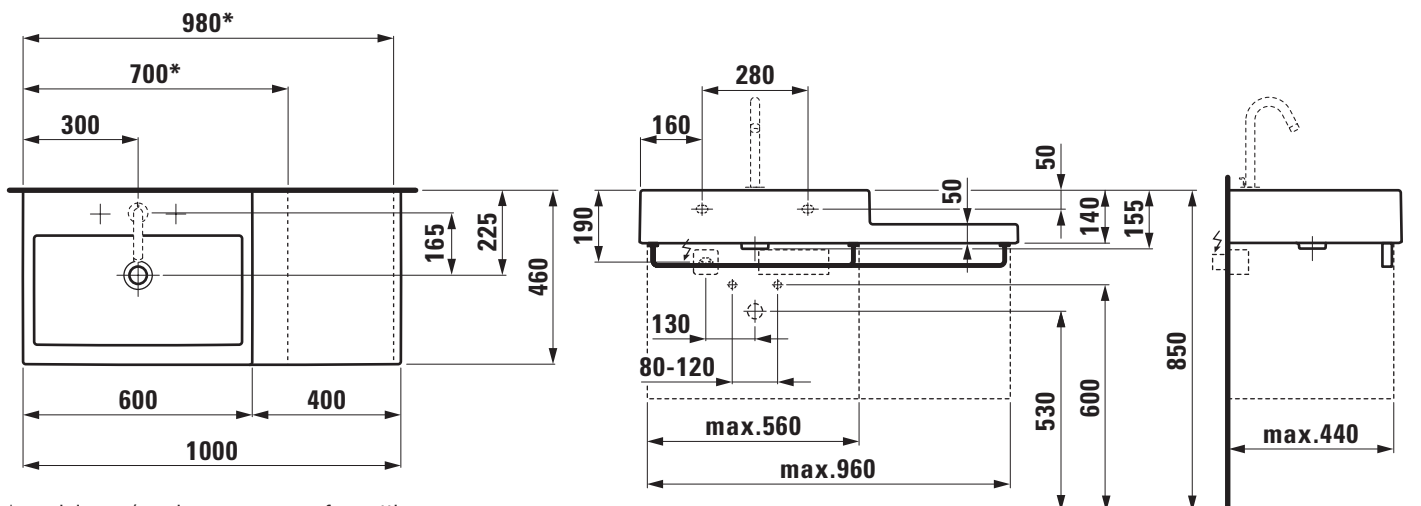
81843.2



TECHNICAL DATA

Order no.	81843.2	Special specification	With electronic faucet control, battery (4x 1.5 V)
Certified to	EN 32		Charge 161 – 1 centre tap hole
Dimensions	1000 x 460 mm		Charge 163 – 1 centre tap hole, with decoration
Inside dimensions of the basin	550 x 290 mm		Charge 165 – 1 centre tap hole, cut one-sided
Specification	Basin left, ceramic shelf right without decoration Cut one-sided to 700 - 980 mm	Weight	26,0 kg
Special specification	With electronic faucet control, mains 230V Charge 160 – 1 centre tap hole Charge 162 – 1 centre tap hole, with decoration Charge 164 – 1 centre tap hole, cut one-sided With electronic faucet control, concealed power supply 230V Charge 166 – 1 centre tap hole Charge 167 – 1 centre tap hole, with decoration Charge 168 – 1 centre tap hole, cut one-sided	Accessories incl.	Charge 160-168 – Sensor, faucet, electronic box with all mounting accessories
		Accessories excl.	Towel rail 600 mm, order no. 89543.4 Towel rail 1000 mm, order no. 89543.6
		Mounting acc. excl.	Mounting set M10 x 140 mm, order no. 89988.2
		Otherwise	When ordering the cut version use the order form for cutting
		Colours	see colour table

TECHNICAL DRAWINGS / S 1 : 20



* = minimum/maximum measure for cutting