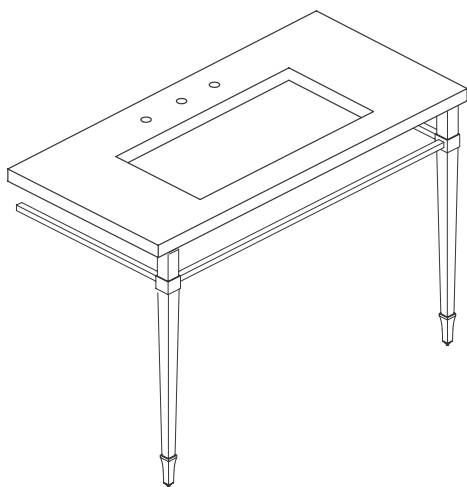




Installation Guide

Lavastone Console Tabletop

K-3020, K-3029



THE BOLD LOOK
OF **KOHLER**®

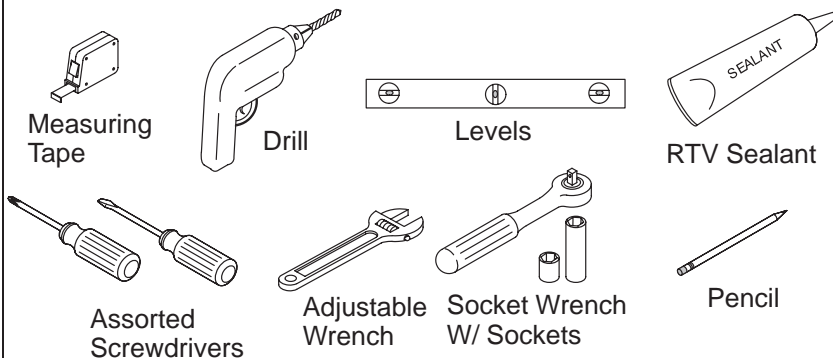
Thank You For Choosing Kohler Company

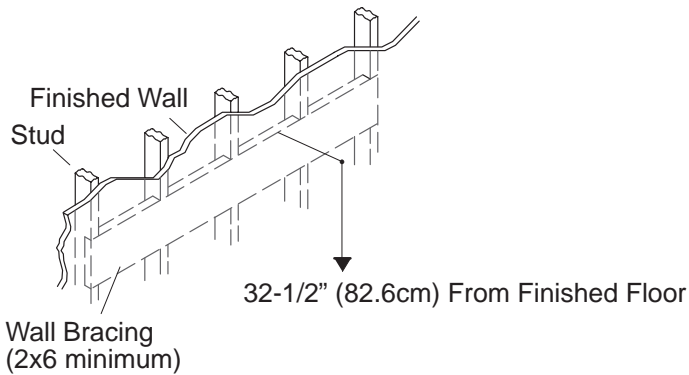
We appreciate your commitment to Kohler quality. Please take a few minutes to review this manual before you start installation. If you encounter any installation or performance problems, please don't hesitate to contact us. Our phone numbers and website are listed on the back cover. Thanks again for choosing Kohler Company.

Before You Begin

- ❑ There are multiple styles of legs available for the console tables including: leather encased square legs, square fireclay legs, square brass legs, octagonal brass legs, octagonal fireclay legs, octagonal combination legs, and vitreous legs.
- ❑ It is recommended that the console be installed 1/2" (1.3cm) from the wall.
- ❑ Discard the nuts and bolts packed with the legs. They will not work properly with the lavastone countertop.
- ❑ Provide sufficient support behind finished wall such as wall bracing. The wall bracing should be a minimum of a 2x6.
- ❑ This installation is designed to be done with a minimum of two people. Do not install this fixture alone.

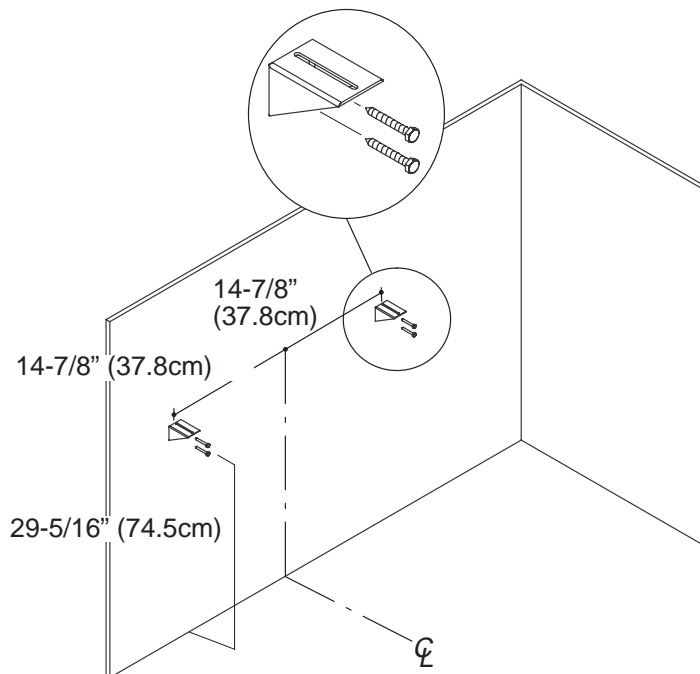
Recommended Tools and Materials





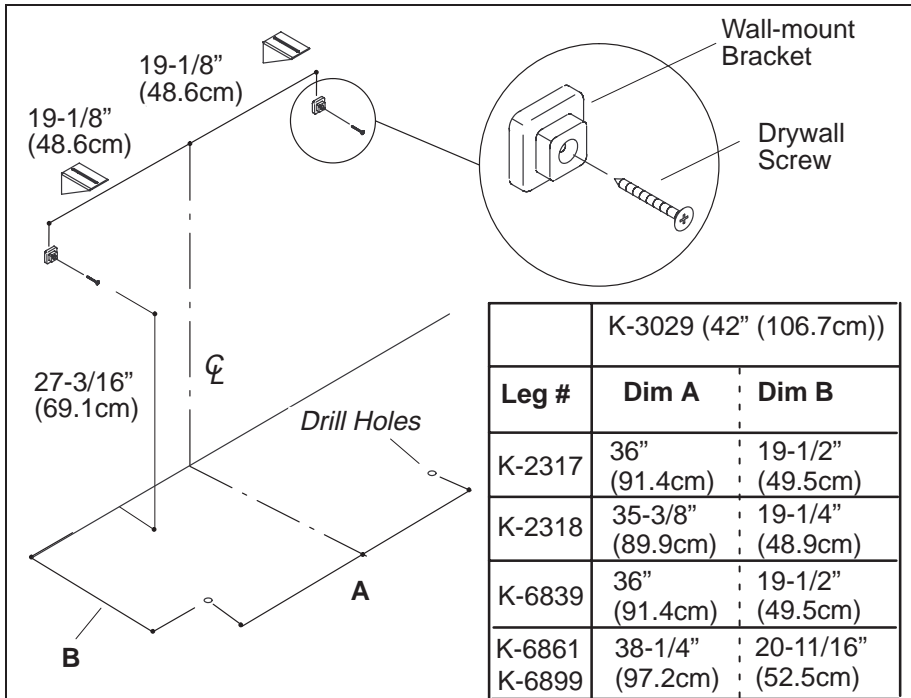
1. Prepare for Installation

- Rough-in the water supply lines and the drain piping.
- Install a minimum of a 2x6 as a wall brace to provide support for the wall clips. The brace should be the same length as the console table and should be positioned 32-1/2" (82.6cm) from the finished floor to the top edge of the board. The center of the wall brace should be in-line with the drain outlet.
- Finish the wall.
- Mark a centerline on the floor and wall.



2. Install Wall Clips

- Use the four lag bolts to install the wall clips, two for each wall clip. Pre-drill 3/16" (5mm) holes for each lag bolt to avoid splitting the 2x6.
- The wall clips should be 29-5/16" (74.5cm) from the floor to the lower lag bolt and 29-13/16" (75.7cm) apart, 14-7/8" (37.8cm) each side from center. Make sure the wall clips are level.



3. Install Towel Bar Wall Mounting Brackets (if applicable)

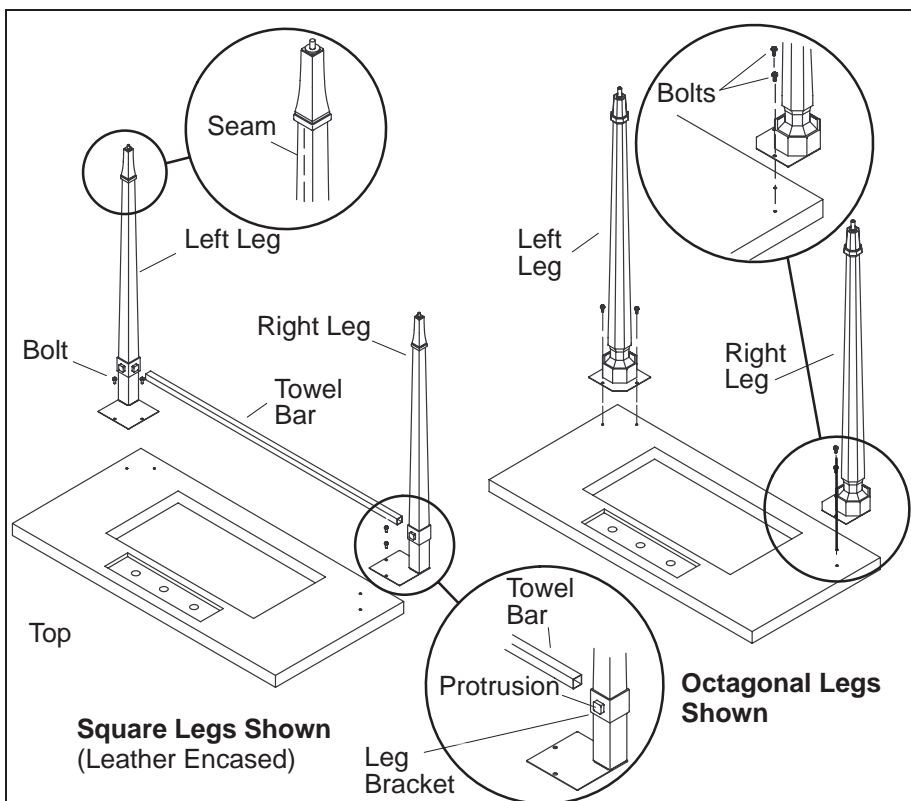
- Using a pencil, mark the center position of each towel bar wall-mount bracket. Locate the towel bar wall-mount brackets 27-3/16" (69.1cm) from the floor and 19-1/8" (48.6cm) to each side of the centerline. Fasten each bracket to the wall with a drywall screw. Make sure the brackets are level.

4. Drill Leg Mounting Holes

NOTE: Take special care with measurements. The leg holes must be drilled in the proper position or the legs will not stand straight.

NOTE: Measurements are for plumb walls. Measurements will need to be adjusted accordingly for walls that are not plumb.

- Drill two holes in the floor, 1/4" D. x 1/2" (1.3cm) deep, for each leg. Determine the proper location according to the information in the diagram.



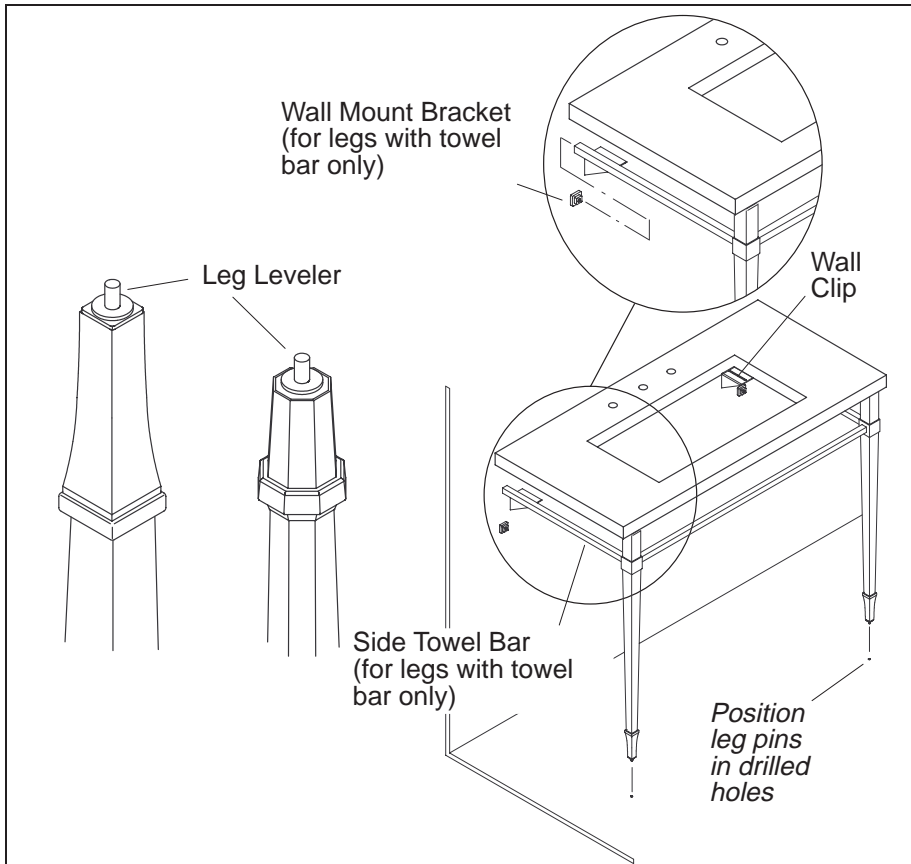
5. Mount Legs to Lavastone Top

NOTE: When installing leather encased leg models, the side of the leg with the seam should face the wall. Leather encased legs are not interchangeable.

- Install one leg. Use the 3/8" long bolts provided with the lavastone countertop. Make sure the protrusions face the wall and the mounting position of the second leg. Tighten the mounting bolts.
- If applicable, install the long towel bar (front side) to the leg by sliding the end of the towel bar onto a leg bracket. Position the second leg and attach the towel bar. Install and tighten the mounting bolts.
- The left and right towel bars will be attached during the leg and frame installation.

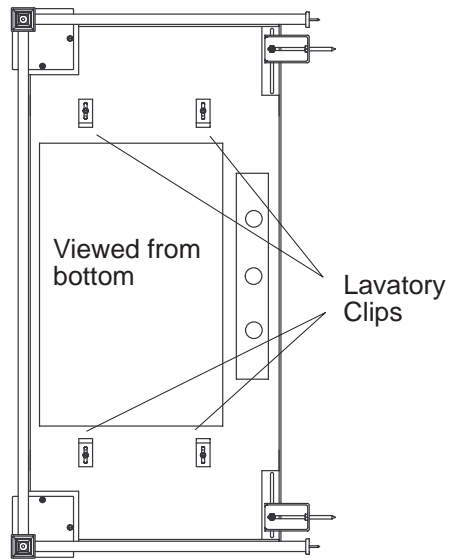
Installing Octagonal Legs To The Frame

- Mount legs on the frame with 3/8" bolts. Legs are interchangeable.
- Secure legs with two bolts in each mounting plate. No nut is needed. The receptor holes in the frame are threaded.



6. Attach to the Wall

- Partially unscrew (counterclockwise) leg levelers located on the bottom of the legs.
- With a partner, pick up the top and legs and position each leg pin in the drilled hole. Set the back of the frame on the mounting brackets at the same time.
- If applicable, hold one end of each side towel bar on leg. Align other end of side towel bar and attach to brackets mounted on wall as the top is being placed.
- Attach top to the wall clips using bolts and nuts provided. Do not fully tighten the bolts.
- Make sure top is level side to side. Adjust leg levelers as needed.
- Fully tighten bolts to the wall clips.



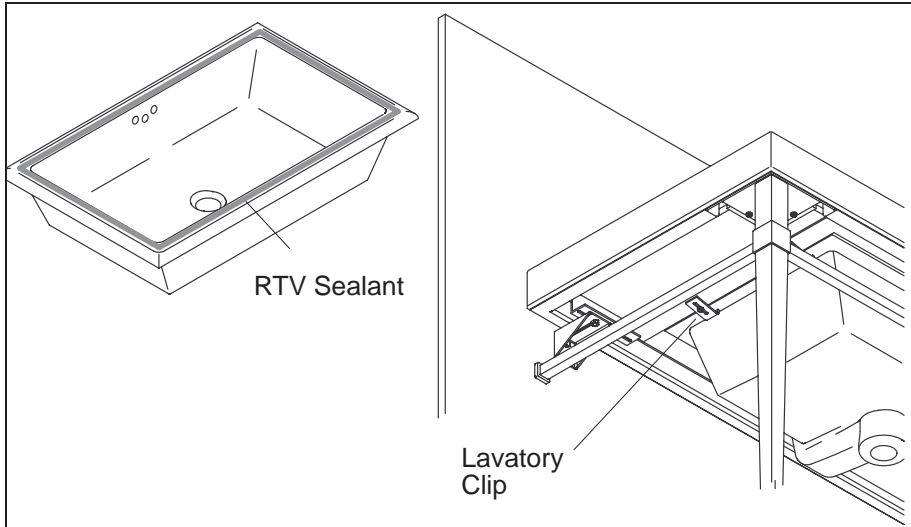
7. Prepare for Lavatory Installation

NOTE: Discard the bolts included with the leg assembly. Use the bolts included with the lavastone tabletop.

- Install faucet to tabletop according to manufacturer's instructions.

NOTE: It is recommended that hoses also be installed to the faucet fittings. Hoses will be more difficult to install later.

- Install the four lavatory mounting clips using the **3/4" long bolts provided with the lavastone tabletop**. Do not fully tighten the bolts. Slide the clips to the side so they do not impede the lavatory when it is lifted into place.
- Install the drain assembly to the lavatory. Follow the directions provided with the drain assembly.



8. Install Lavatory

- Apply RTV to the top of the lavatory in a continuous bead with no gaps.

⚠️ WARNING: Risk of personal injury. Large lavatories are very heavy. Get help lifting the lavatory into place.

- With a partner, carefully lift the lavatory into place on the top.
- Make sure the lavatory is properly positioned. There is a slight tabletop overhang in the cut-out when the lavatory is properly positioned. Check for symmetry.
- Tighten lavatory clips securely. Do not overtighten. Wipe away excess RTV sealant immediately.
- Allow RTV sealant to cure for 24 hours before using the lavatory.

9. Finish Installation

- Finish the drain installation and trap connections.
- Finish the faucet assembly following the installation instructions provided with the faucet assembly.
- Make final supply connections, run water and check for leaks.







USA: 1-800-4-KOHLER
Mexico: 001-877-680-1310
Canada: 1-800-964-5590
kohler.com

THE BOLD LOOK
OF **KOHLER**®

©2002 Kohler Co.

1013618-2-A