



IB RUBINETTI

Collection

BELMONDO

Article

BL010

Description

Shelf

Box Dimensions

720 x 130 x 70 mm

Weight

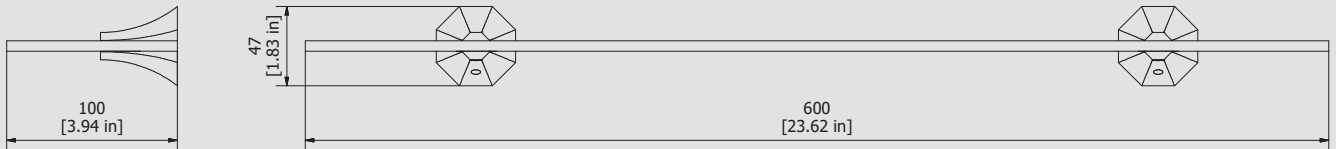
1.3 kg



Finishes

- **CC**
CHROME
- **CF**
BLACK CHROME
- **00**
GOLD
- **BB**
ANTIQUE BRONZE
- **SS**
BRUSHED NICKEL
- **CS**
BRUSHED BLACK CHROME
- **BO**
MATT WHITE
- **ONP**
MATT BLACK
- **IS**
BRUSHED PALE GOLD
- **OS**
BRUSHED GOLD
- **II**
PALE GOLD
- **RR**
ANTIQUE COPPER
- **RS**
ROSE GOLD
- **ON**
NATURAL BRASS
- **SR**
BRUSHED ROSE GOLD
- **PL**
PLATINUM

Dimensions



Cartridge

Hoses

Aerator

Flow Rate (+/-10%)

1 BAR

2 BAR

3 BAR

Production

Main body is a machined from a solid pieces

Material

BRASS
According to CuZn39Pb3 (CW614N)
Max Lead content: 2.5%

IB RUBINETTERIE s.p.a
via dei Pianotti 3/5
25068 Sarezzo (BS) - Italy -

T. +39 030 802101
F. +39 030 803097
info@ibrubinetterie.it

P.IVA 01785230986
capitale sociale
€420.000,00 i.v.

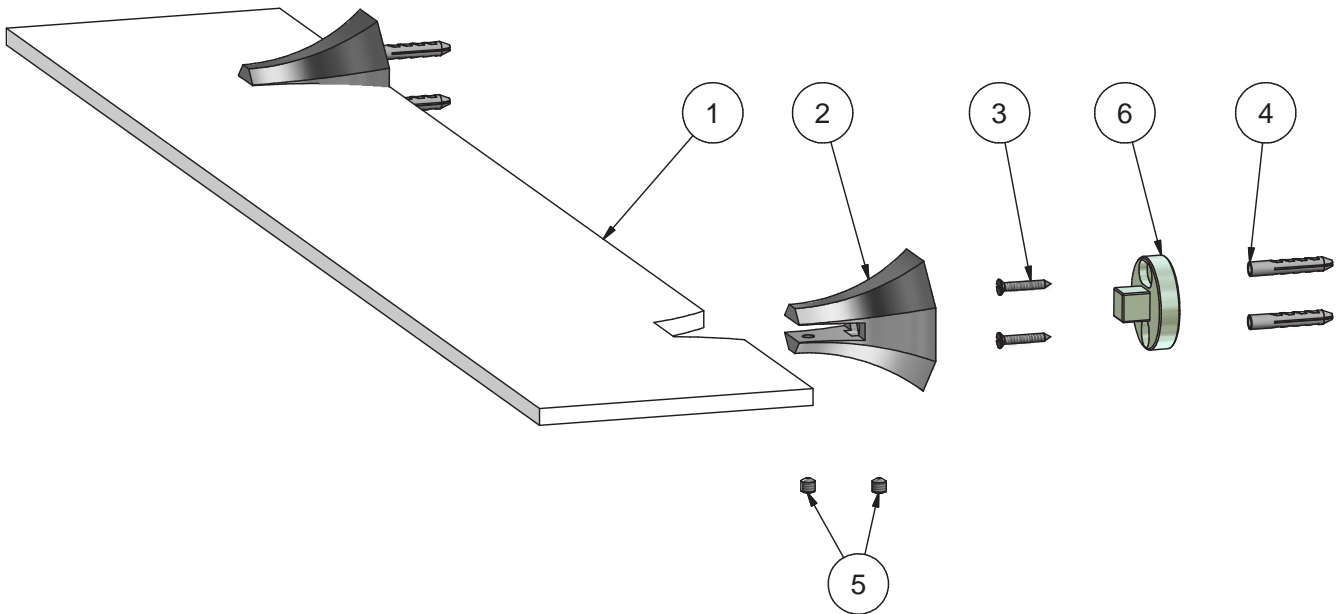
WWW.IBRUBINETTI.IT





IB RUBINETTI

Parts list			
ELEM	CODE	DESCRIPTION	QT
1	AQ0010632	Shelf 600x100x6	1
2	AQ0010641	Octagonal wall support 46.5 H45	2
5	AQ0001100	Grubscrew M5x5	4
3	AQ0010626	Inox screw 4.5x50	4
6	AC0011886	Fixing piece Ø32.7 H17.5	2
4	AQ0010660	Rawplug Ø8	4



WARRANTY

All IB Rubinetterie SpA products are warranted for 10 years from the date of purchase, for the following cases:

- Defects of casting, porosity and chrome plating.
- Operating defects caused by incorrect fabrication.

The warranty provides for repair or replacement of products with fabrication defects recognized by our technical office. There is no other type of compensation anche the merchandise must be returned FOB our warehouse. The warranty only cover surface defects (scatches, dings, etc.) on fitting that have not been installed and used, returned in its original packaging with all components. O-ring, gasket seals and components subject to wear proportional to use are warranted for 2 years.

The warranty is void in the following cases:

Error installing and putting the product into service.

Deterioration of finished surfaces due to use of cleaning products containing acids or abrasive substances. Deterioration of surface with finishes other than chrome plating. Their durability is, in fact, dependent on the user's care and gentleness of use.

Deterioration of the fitting due incorrect installation.

Improper repairs and maintenance performed without the company's prior authorization.

The warranty from IB Rubinetterie SpA is not renewable.

Cleaning

We recommended cleaning the finish surfaces with water and soap, using a soft cloth.

Do not use detergents that contain hydrochloric acid or abrasive substances.

