



DISSET

product code	DI009M46
product description	DISSET Desk 125x60 metal, acacia natural Desk with drawers in solid acacia wood in bleached natural finish. Legs in distressed painting metal.

product sizes

height x width x depth (cm)	77	x	125	x	60
product weight (Kg)	25,5				

technical drawings



product features

use (domestic/office)	Domestic
appliances (inner/outer)	Inner
number of doors	
number of drawers	
fittings description	Screws and washers
max. load (Kg)	50

material Acacia wood (Acacia auriculiformis)

finishing Bleached natural finishing (NC lacquered)

legs material	Steel
legs finishing	Distressed painting
feet protection (yes/no)	Yes
adjustable feet (yes/no)	Yes

RAL Specifications	
size and shape variation (yes/no)	No
color variation (yes/no)	No
other details	

general warnings	Do not place near direct sources of heat. Keep away from direct solar light. Do not use abrasive products like acetones, bleaches, solvents, etc.
------------------	---

specific use and care instructions	Clean with a damp cloth and dry immediately
------------------------------------	---

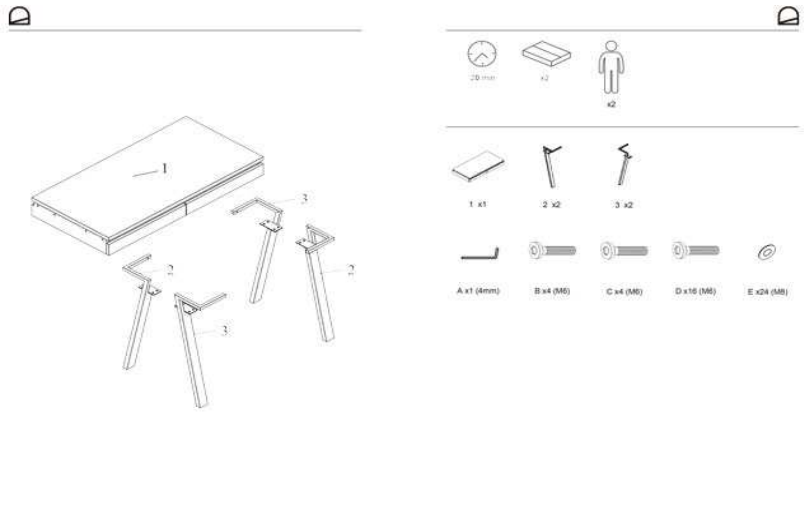
years of guarantee made according to	2
--------------------------------------	---

good to know	Wood origin country: Vietnam
--------------	------------------------------

assembly

assembly required (yes/no)	Yes
difficulty of assembly (hard/medium/easy)	Easy
assembly time (min)	20
people required	2
assembly suggestions	

assembly instructions



packaging

units per lot	1				
cbm (m3) / gross weight (Kg)	0,245	/	34		
nº of boxes	2				
box 1	1				
description	DISSET Desk 125x60 metal, acacia natural				
description box	TOP				
height x width x depth (cm)	19	x	126	x	76
cbm (m3) / gross weight (Kg) / net weight (Kg)	0,182	/	26	/	19
box 2	2				
description	DISSET Desk 125x60 metal, acacia natural				
description box	LEGS				
height x width x depth (cm)	28	x	94	x	24
cbm (m3) / gross weight (Kg) / net weight (Kg)	0,063	/	8	/	6,5
box 3					
description					
description box					
height x width x depth (cm)		x		x	
cbm (m3) / gross weight (Kg) / net weight (Kg)		/		/	
box 4					
description					
description box					
height x width x depth (cm)		x		x	
cbm (m3) / gross weight (Kg) / net weight (Kg)		/		/	
box 5					
description					
description box					
height x width x depth (cm)		x		x	
cbm (m3) / gross weight (Kg) / net weight (Kg)		/		/	