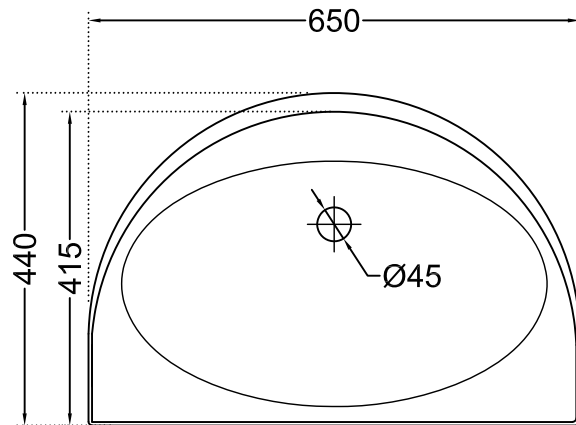
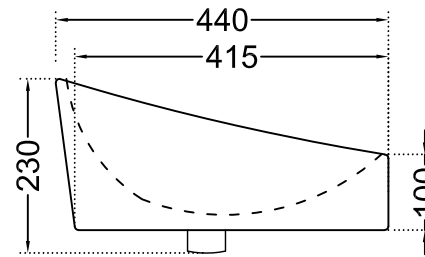


Artize

CFS-WHT-69901



TOP VIEW



SIDE VIEW

ALL DIMENSIONS ARE IN MM.
(TOLERANCE ± 5 MM)