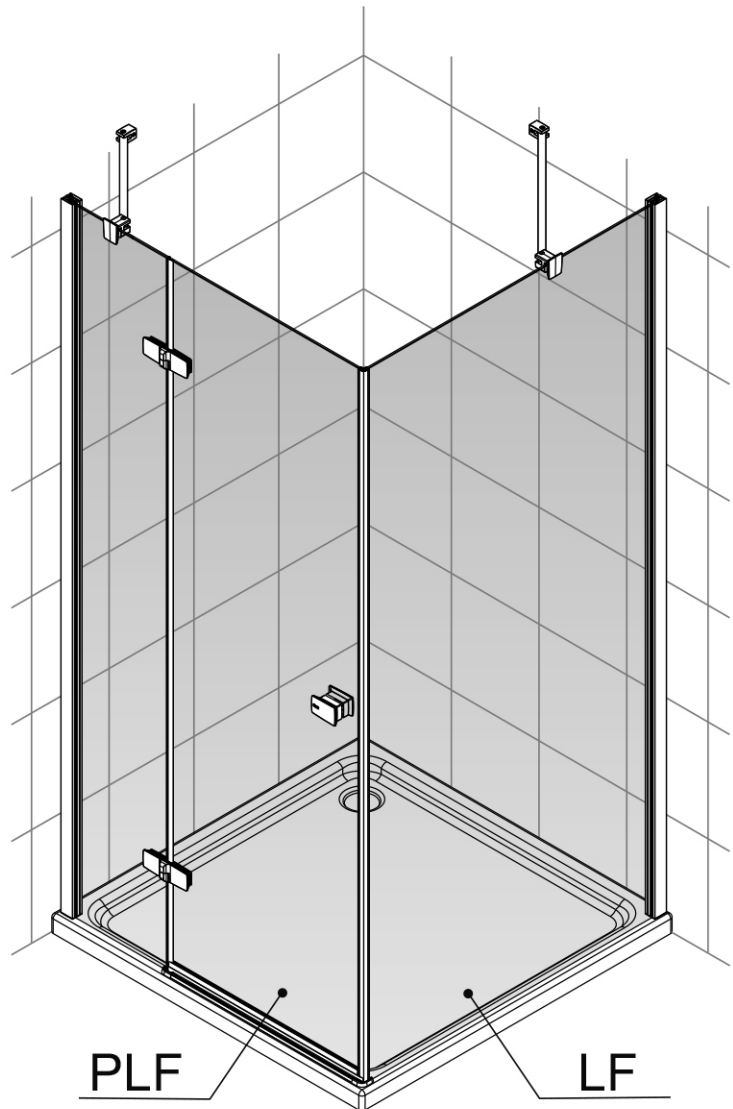
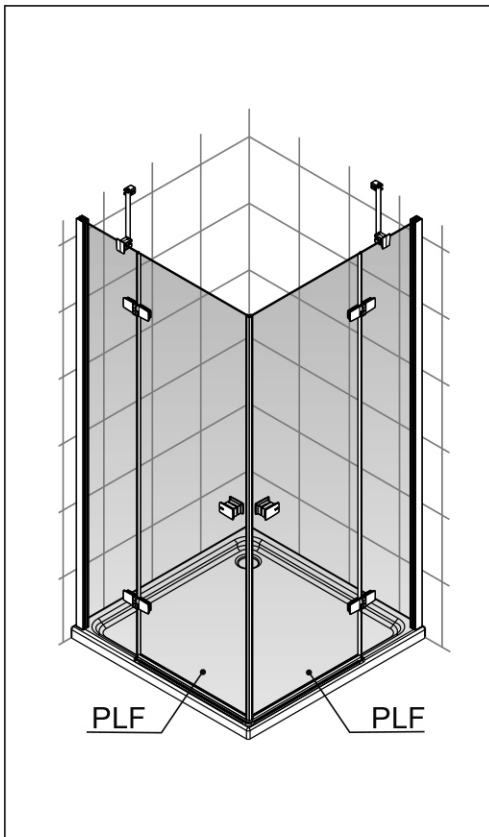


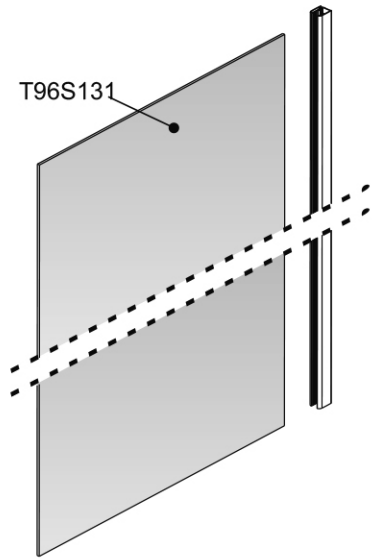
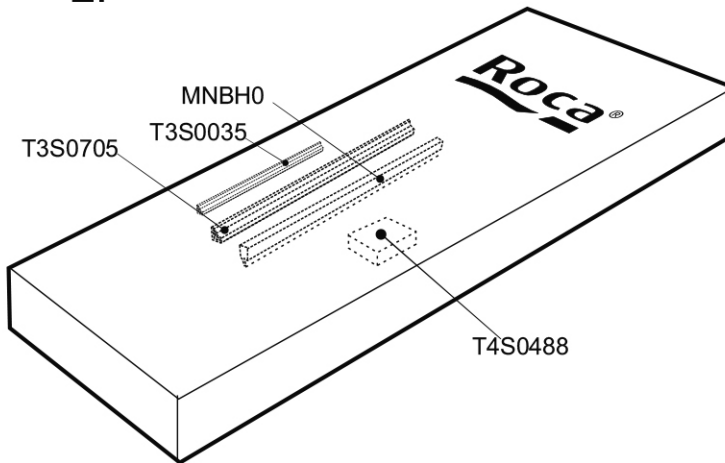


**Roca**

## VELA PLF/LF



LF



T4S0488

T200002



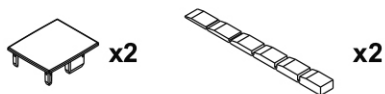
T200032



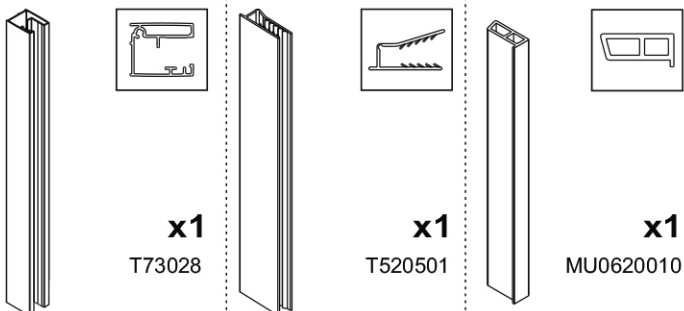
T200213



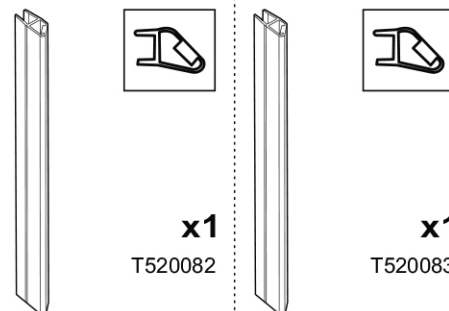
T200038



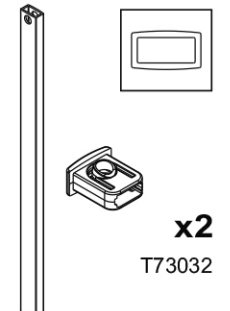
MNBH0

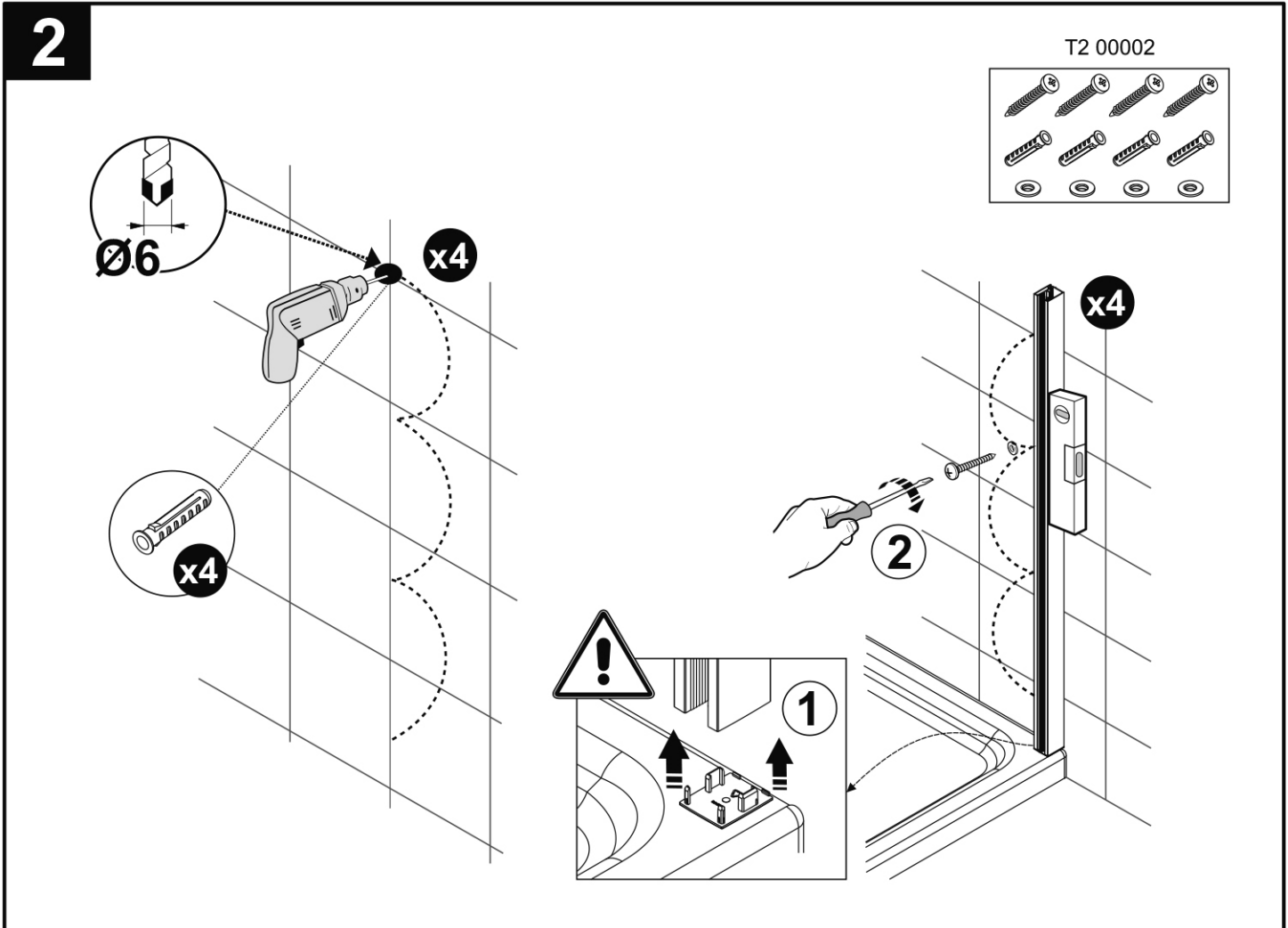
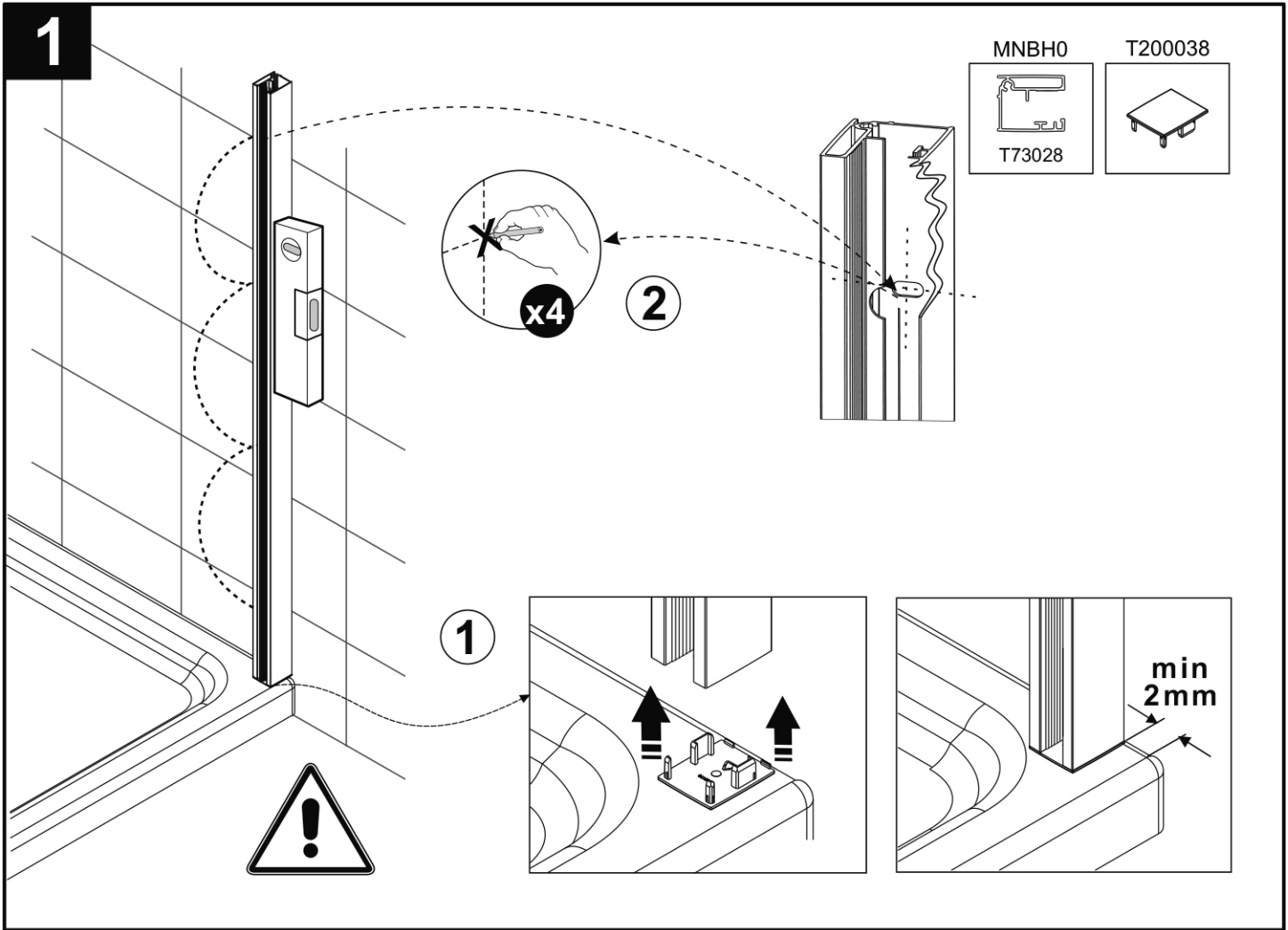


T3S0705



T3S0035

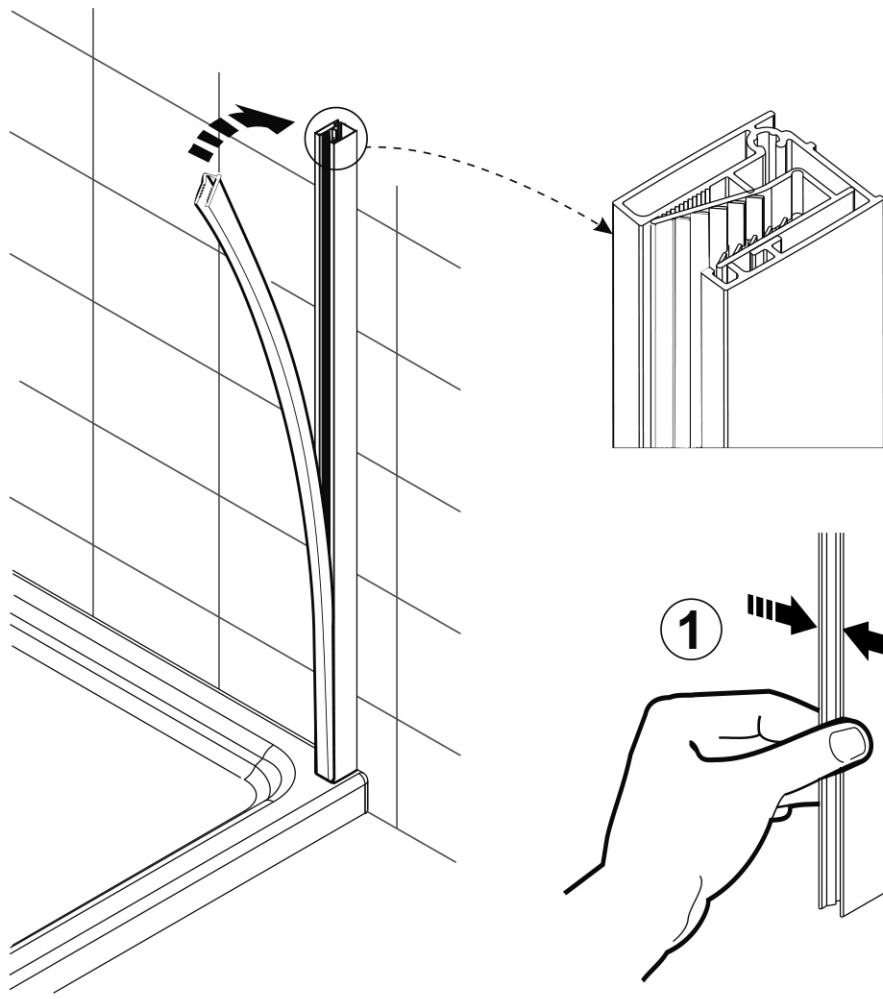




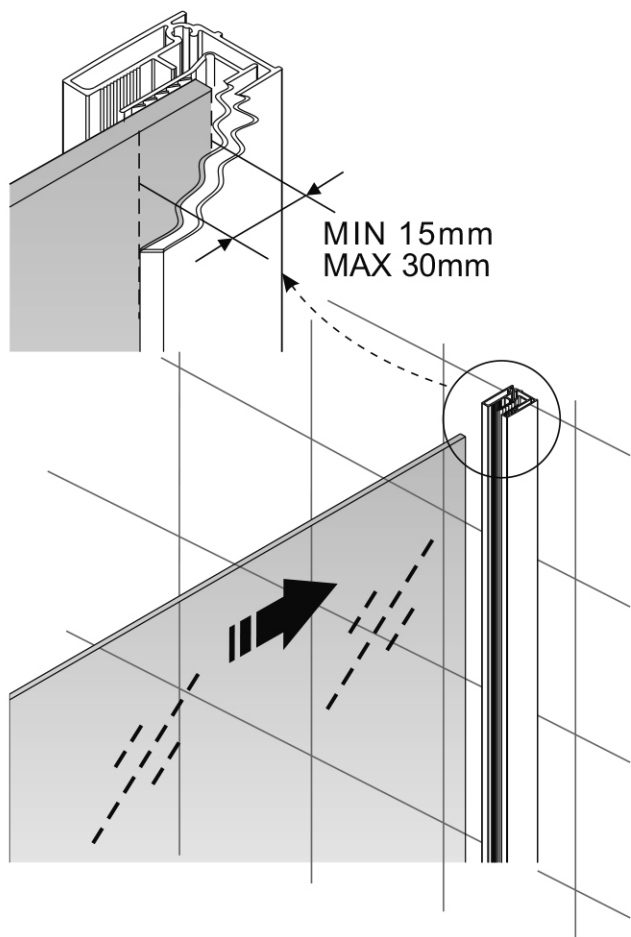
3

MNBH0

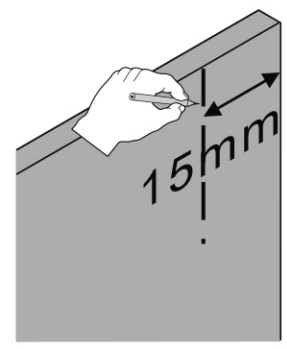
T520501



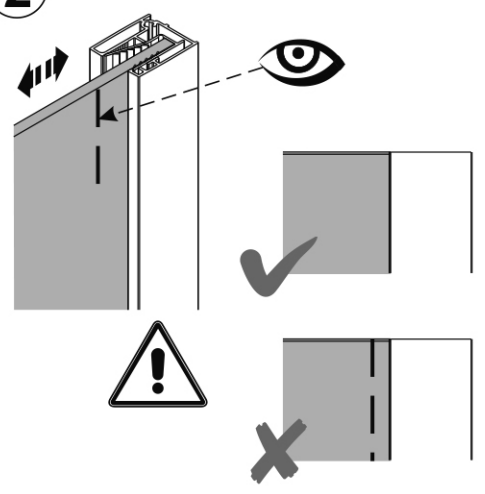
4



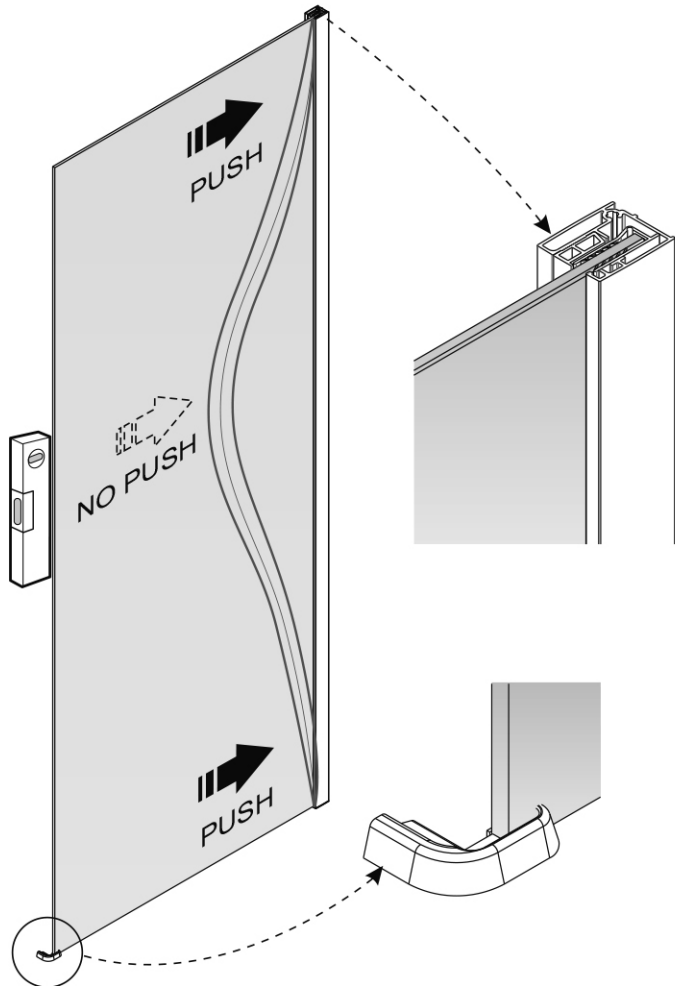
1



2

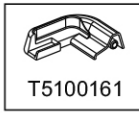


5

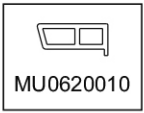


T200032

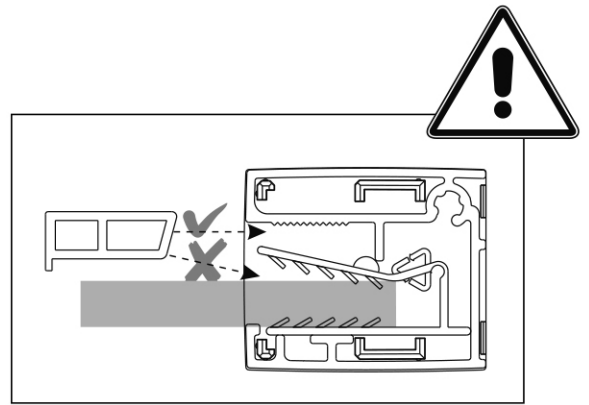
MNBH0



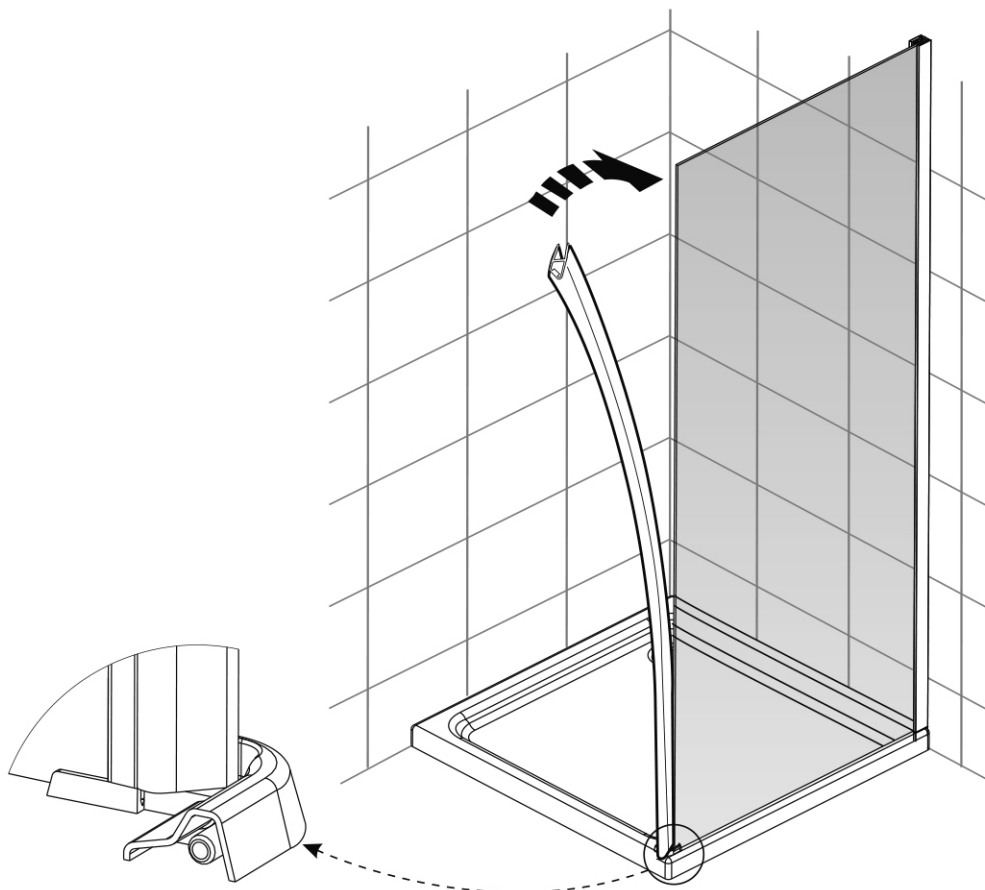
T5100161



MU0620010



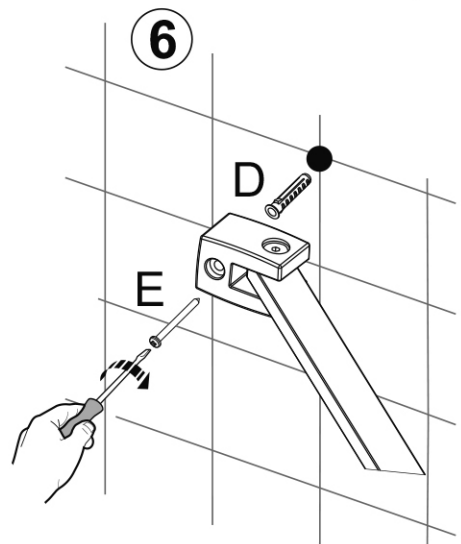
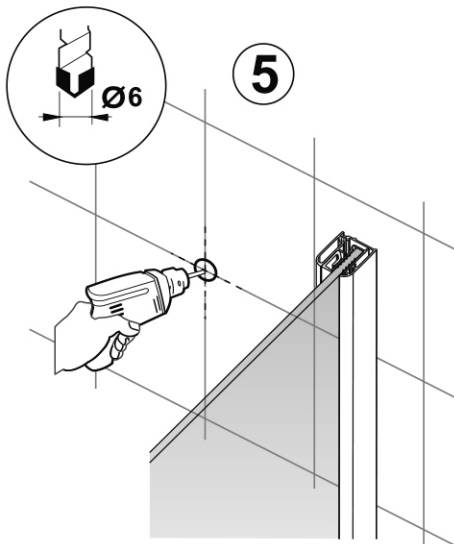
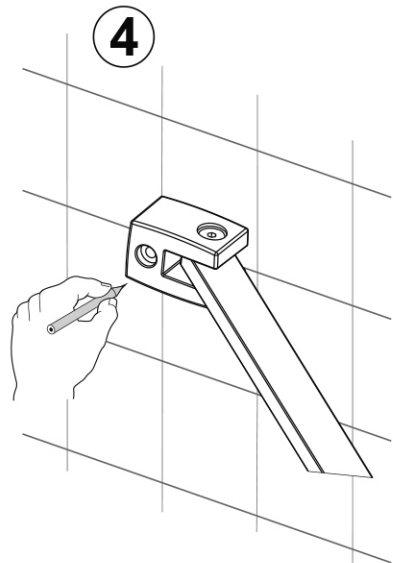
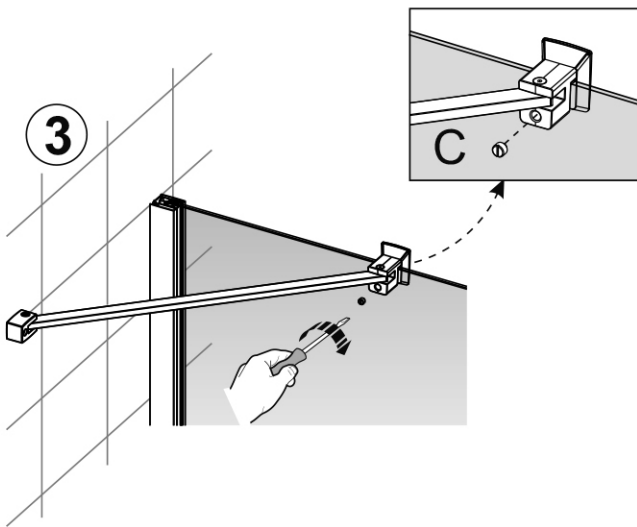
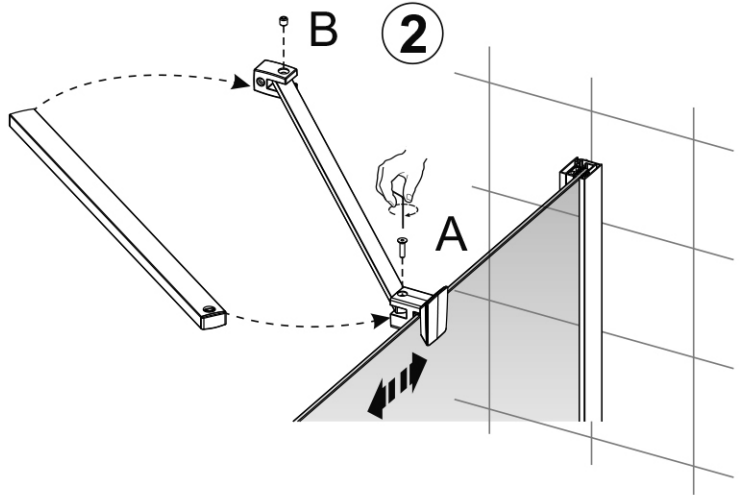
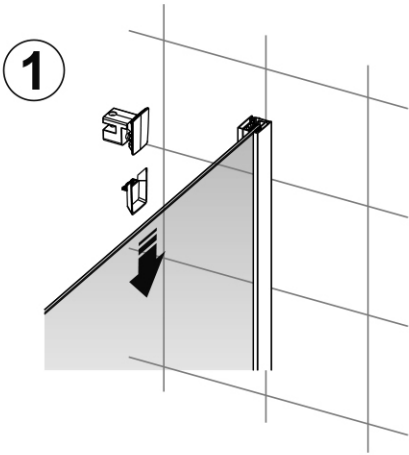
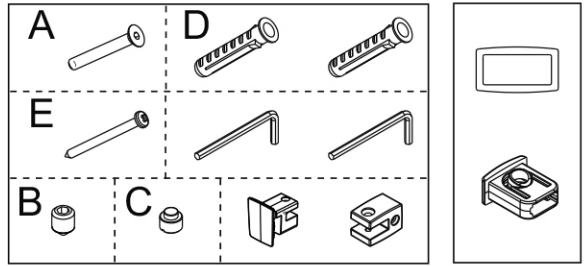
6



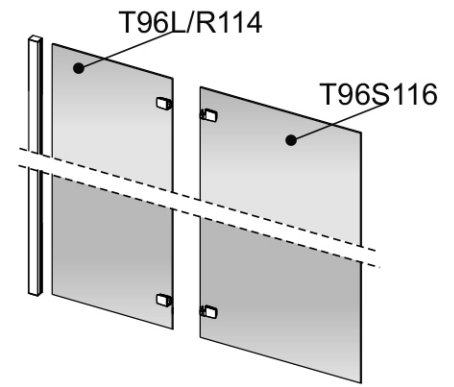
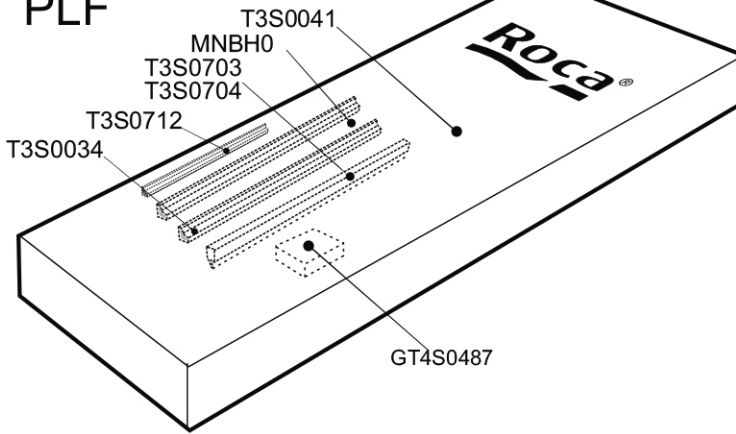
T3S0703










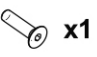








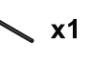





T520082



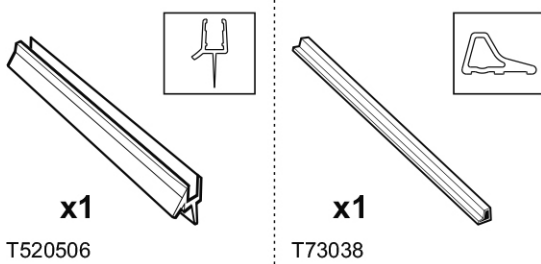
PLF



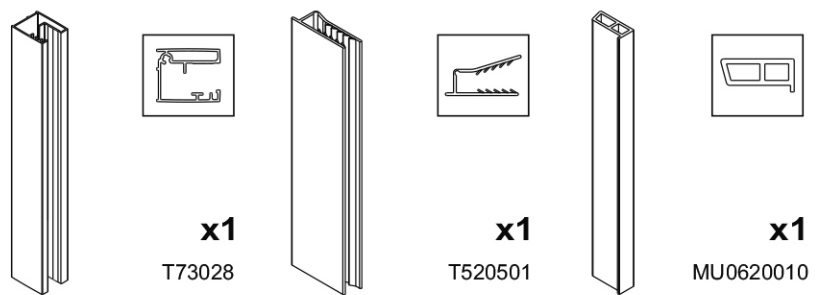
T4S0487

|            |  |   |   |  |  |  |   |  |  |  |
|------------|--|---|---|--|--|--|---|--|--|--|
| T200002    |  x4   |  Ø6 x4 |  Ø9 x4 |  |  |  |   |  |  |  |
| T200035    |  x1   |  x1    |   |  |  |  |   |  |  |  |
| T200038    |  x2   |  x2    |   |  |  |  |   |  |  |  |
| T200213    |  x1   |  x1    |  x1    |  x1 |  x1 |  x1 |  x1 |  x1 |  x1 |  x1 |
| T200214    |  x1  |   |   |  |  |  |   |  |  |  |
| T4S0483    |  x1 |  x1  |  x1  |  |  |  |   |  |  |  |
| AM90605400 |  x1 |   |   |  |  |  |   |  |  |  |

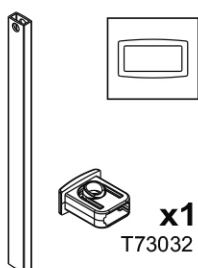
T3S0712



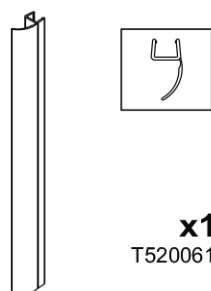
MNBH0



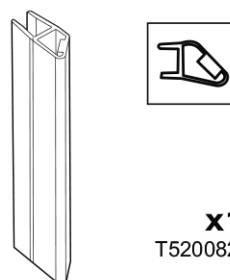
T3S0034



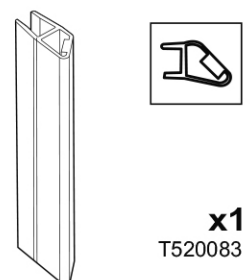
T3S0041



T3S0703



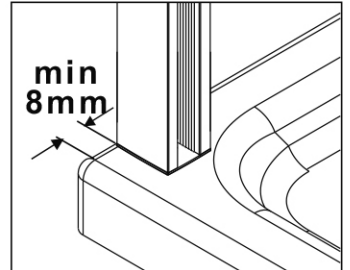
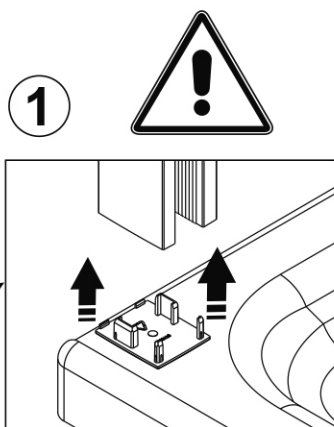
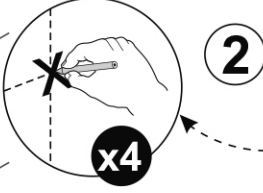
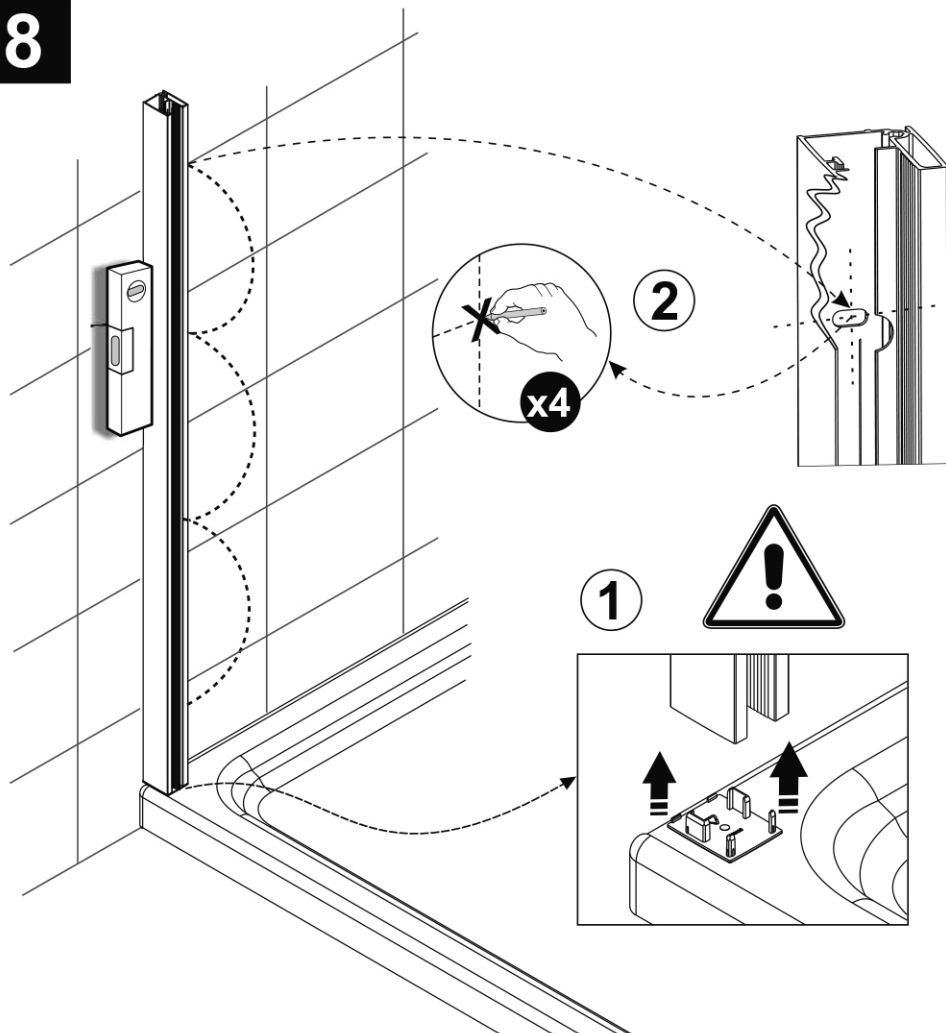
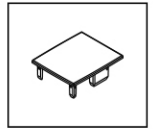
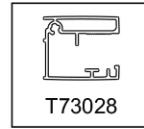
T3S0704



8

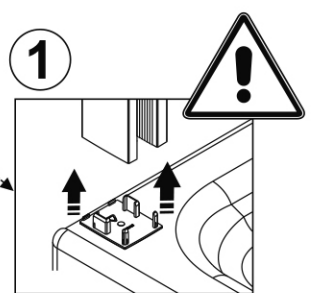
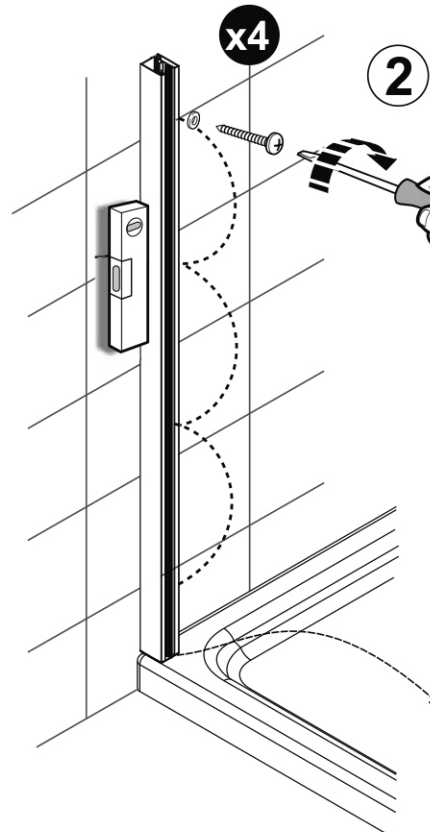
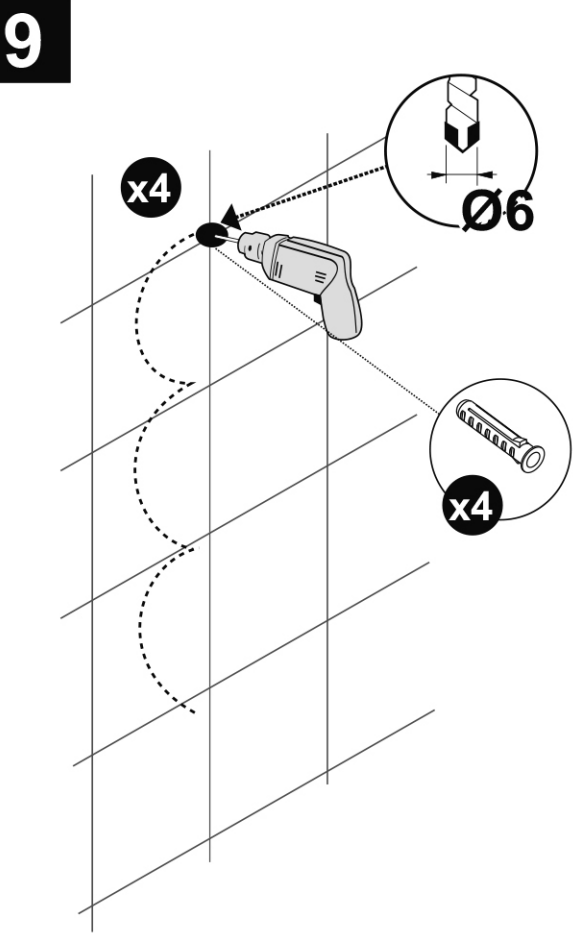
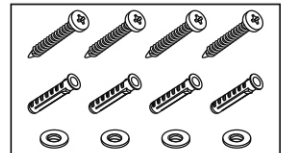
MNBH0

T2 00038



9

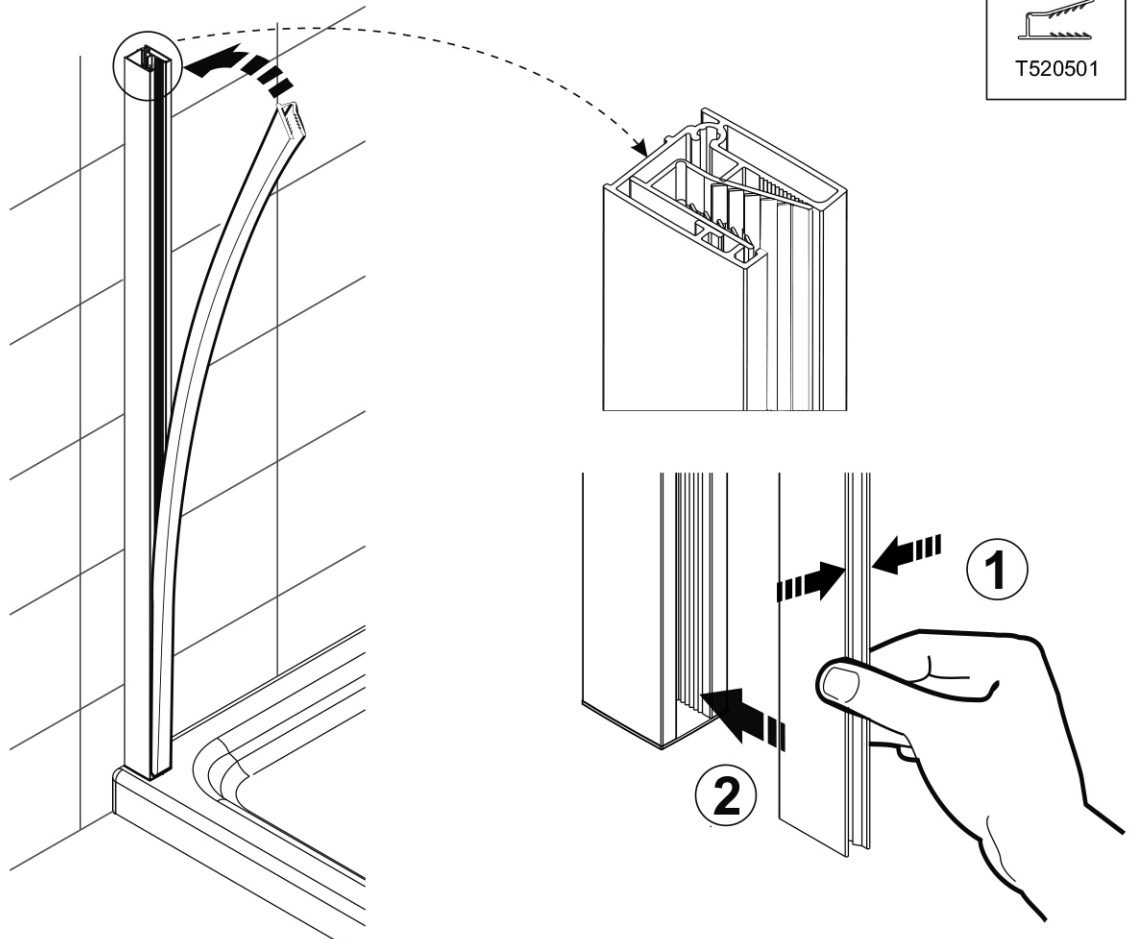
T2 00002





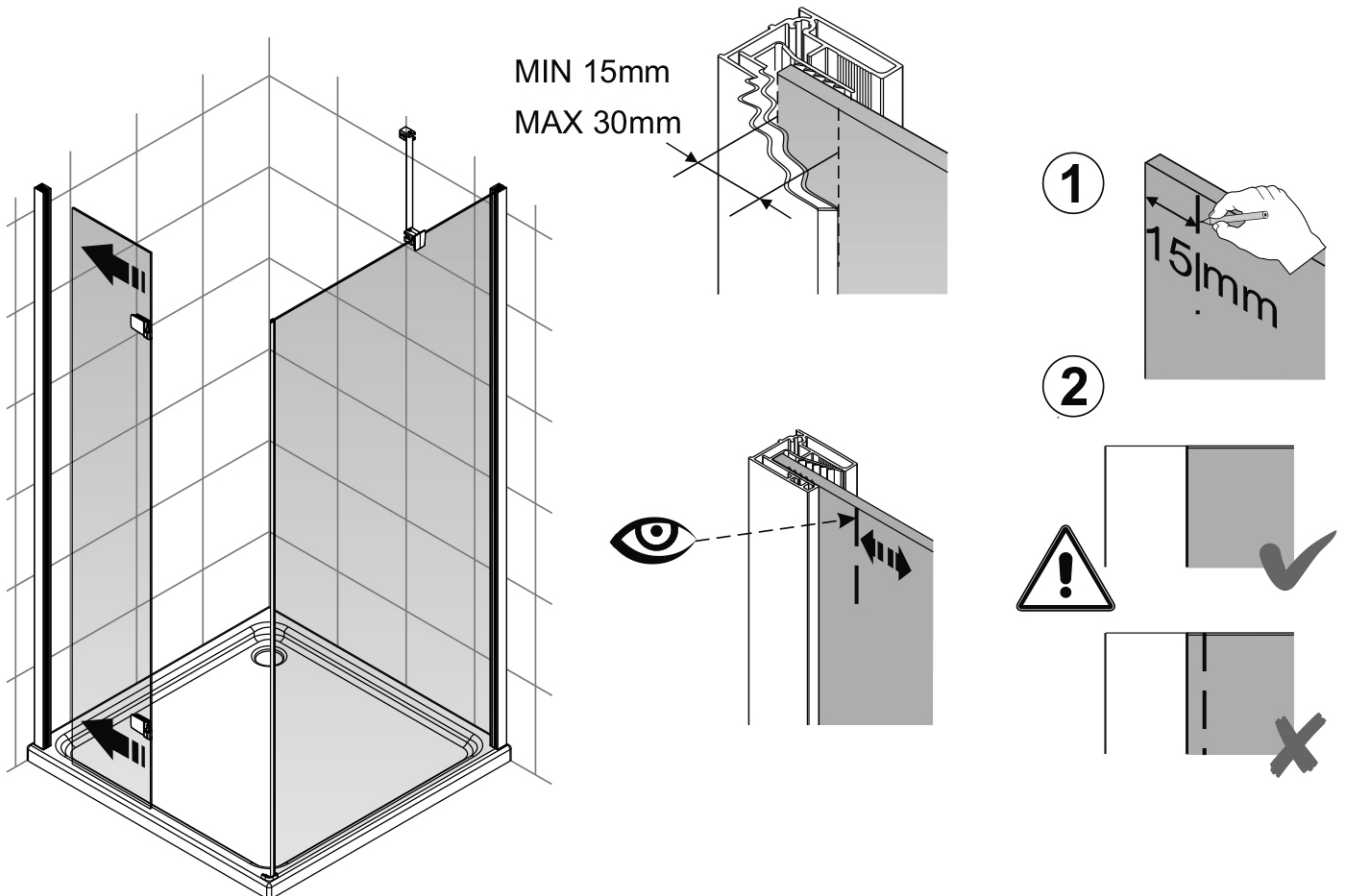
10

MNBH0



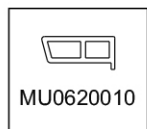
11

MIN 15mm  
MAX 30mm

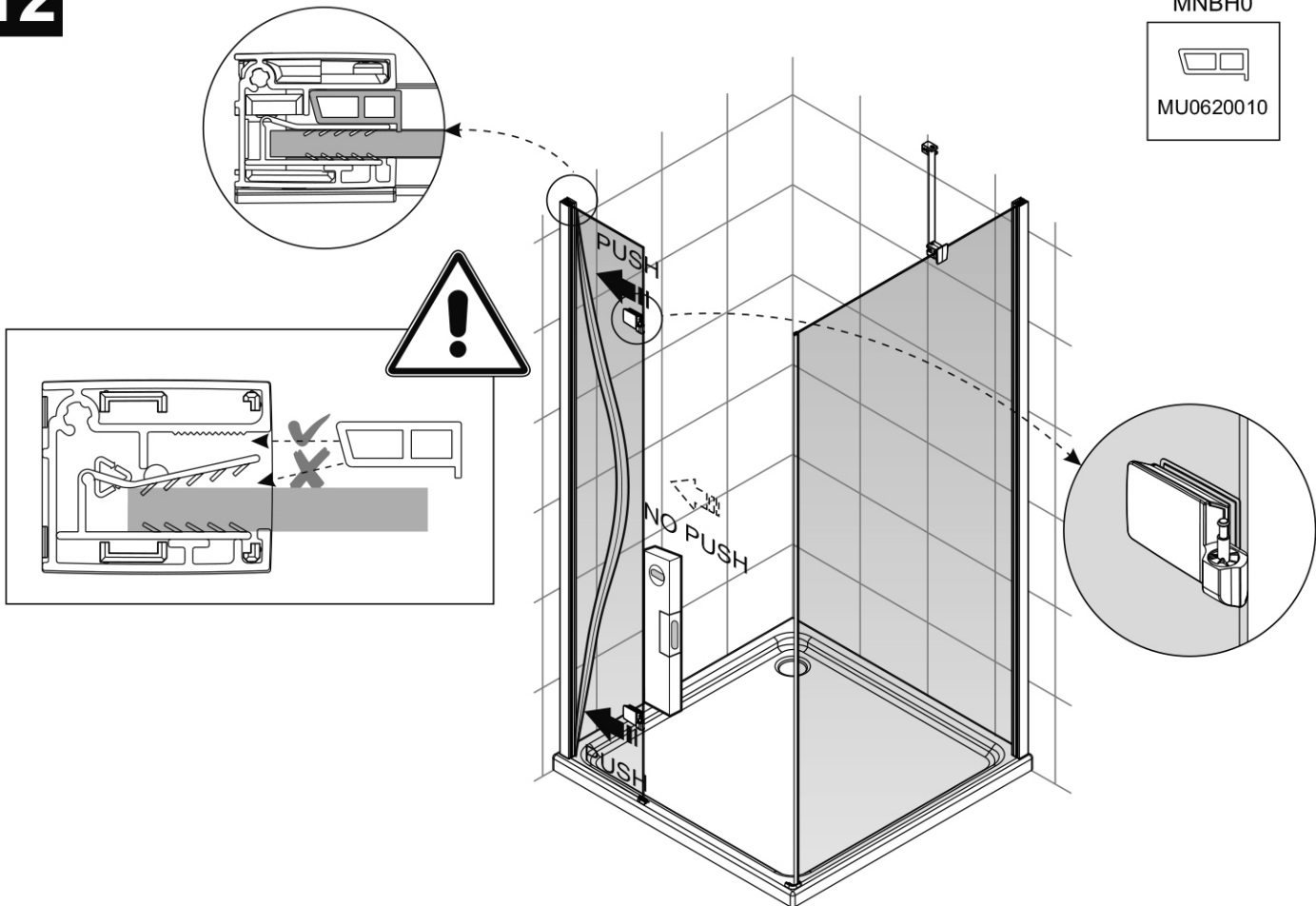


12

MNBH0

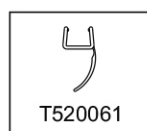


MU0620010

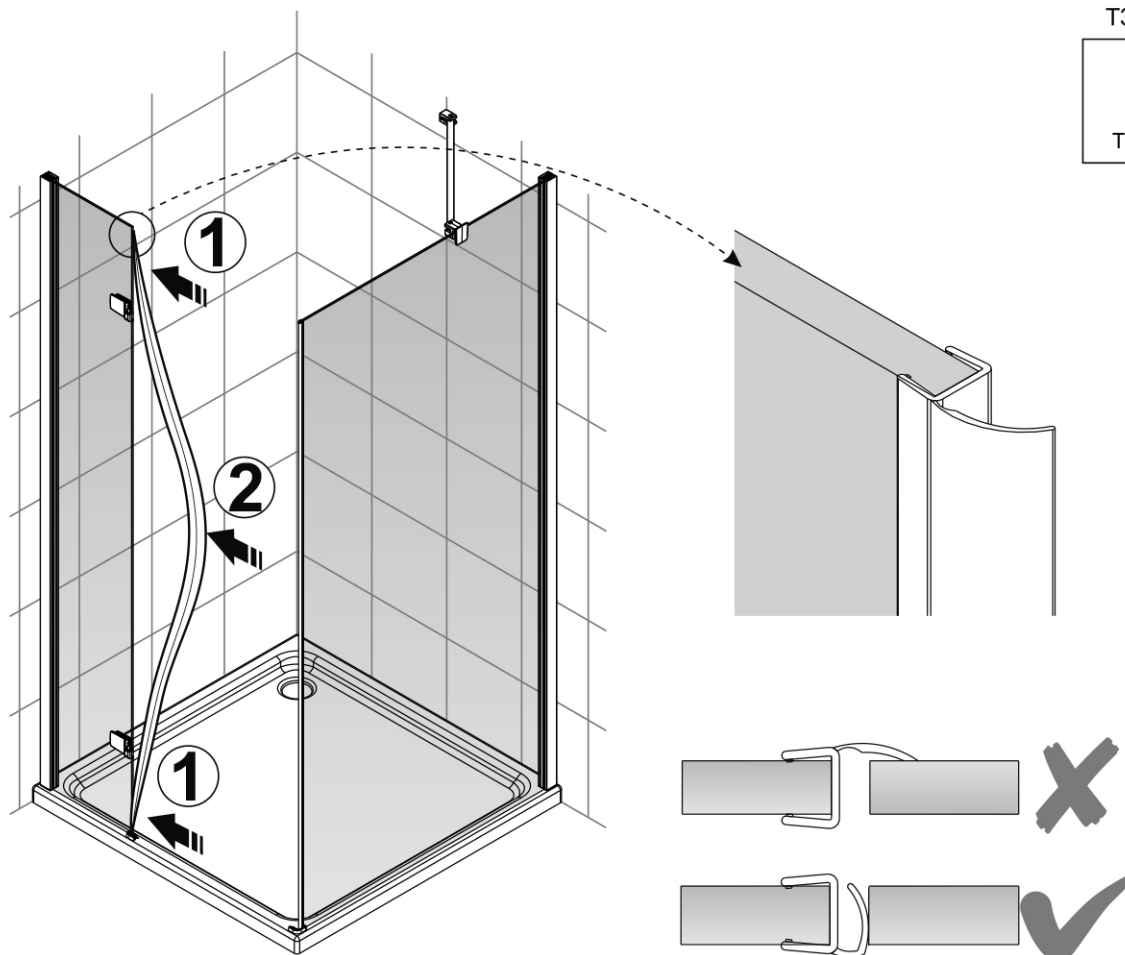


13

T3S0041

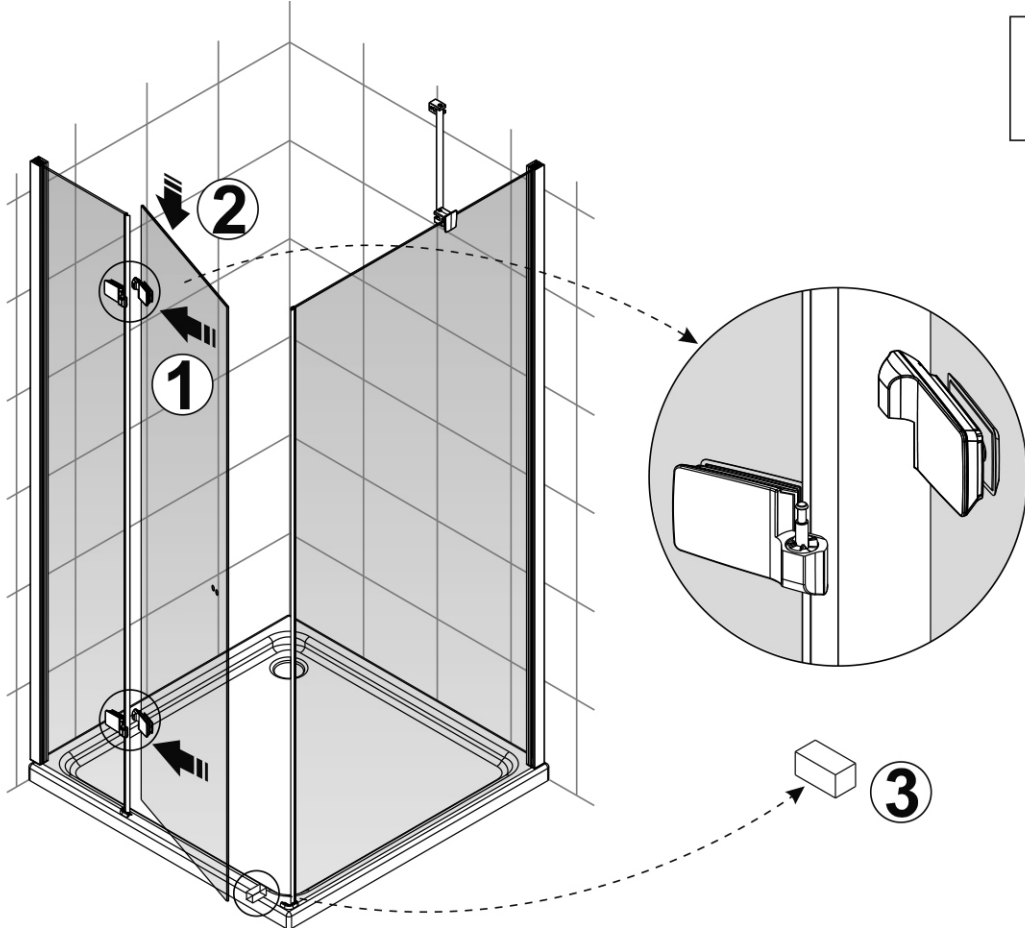
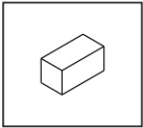


T520061



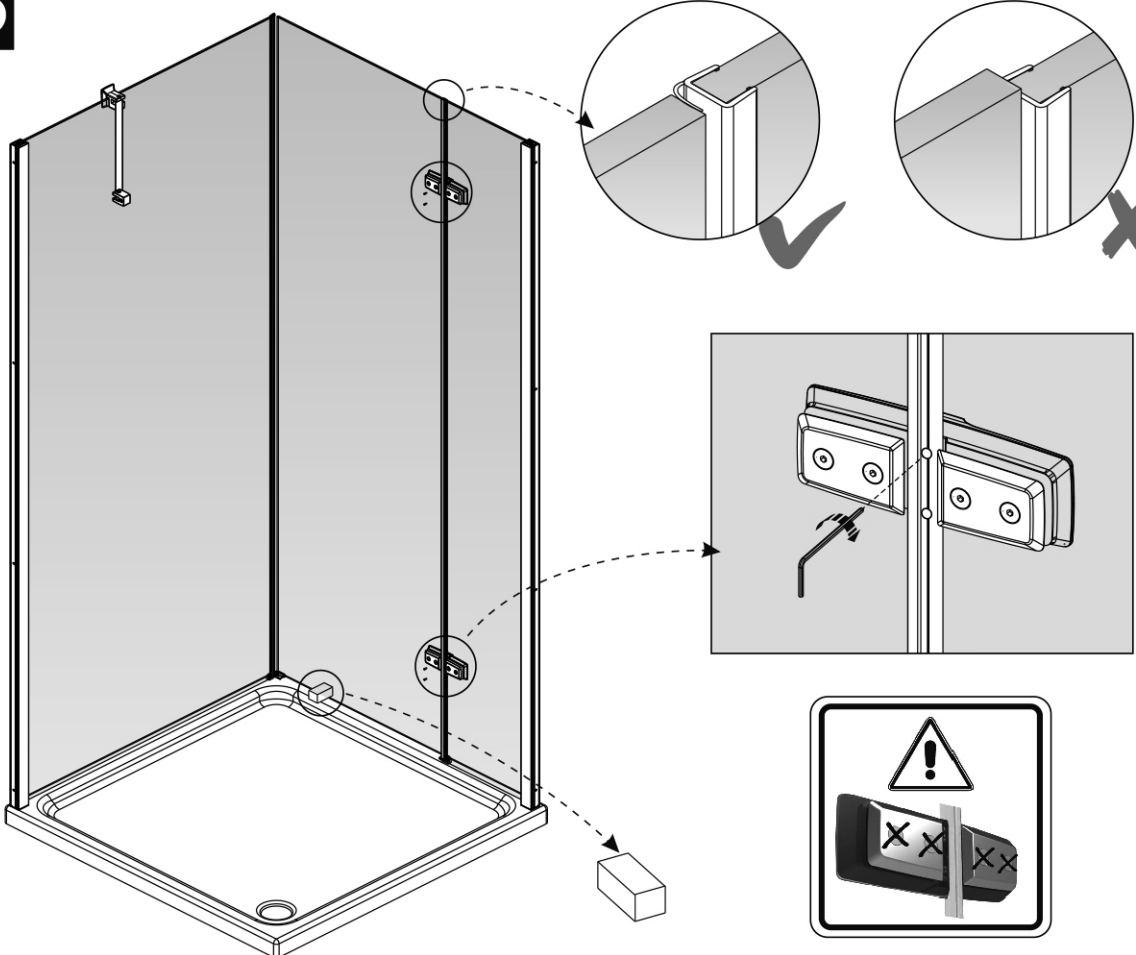
14

AM90605400



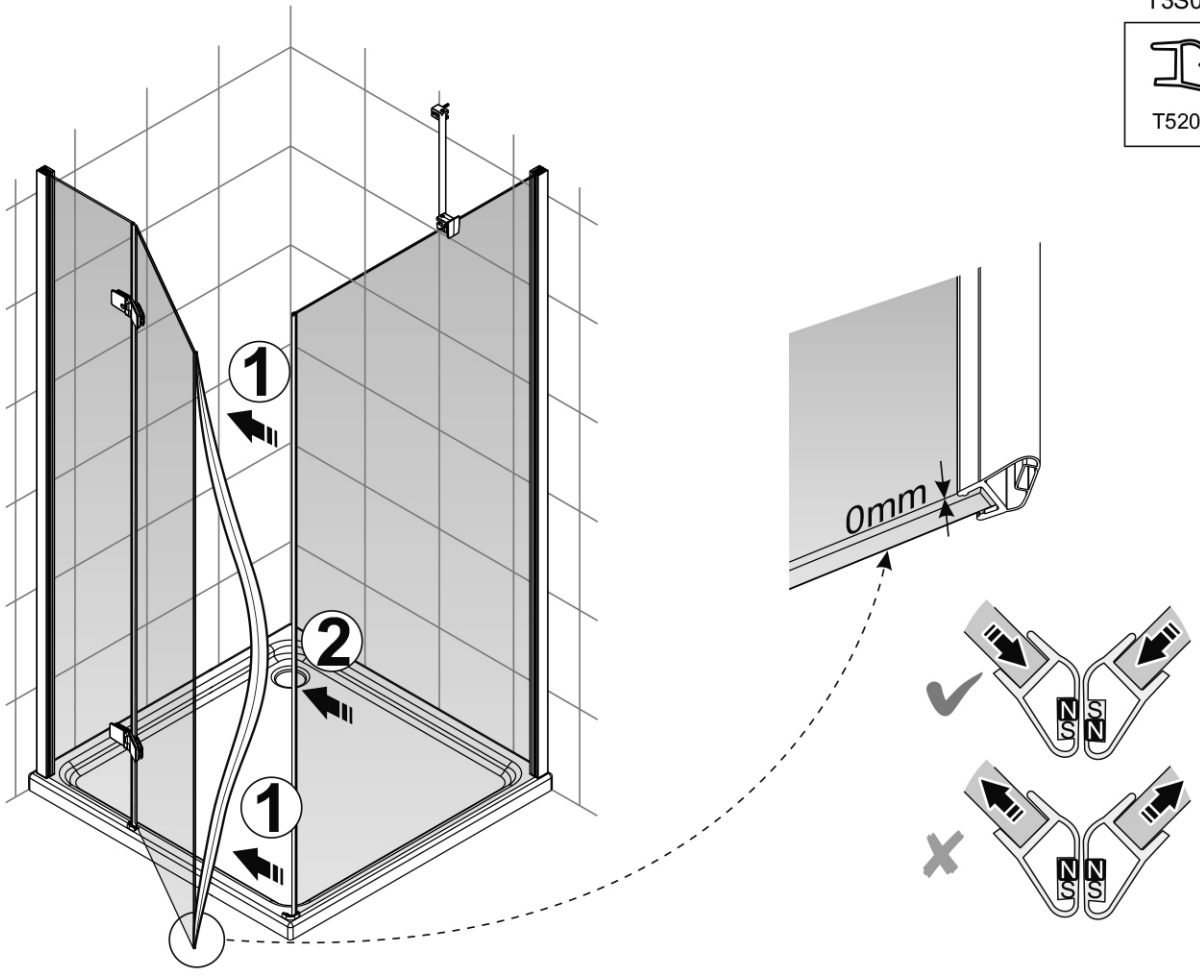
15

T200213

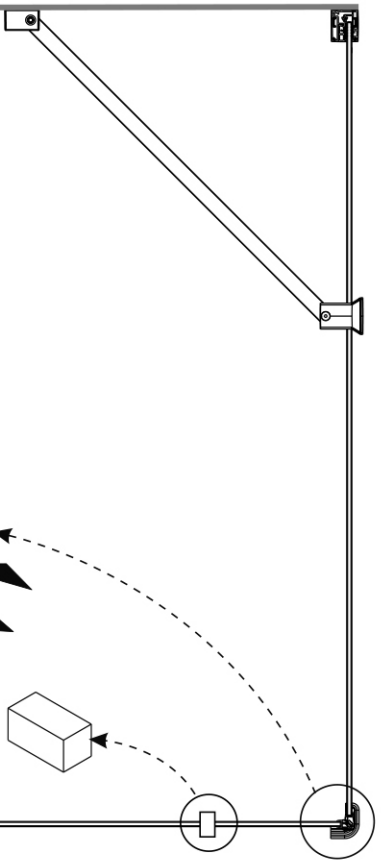
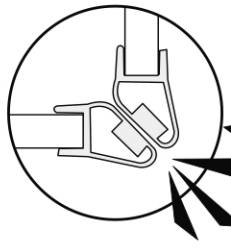


16

T3S0704

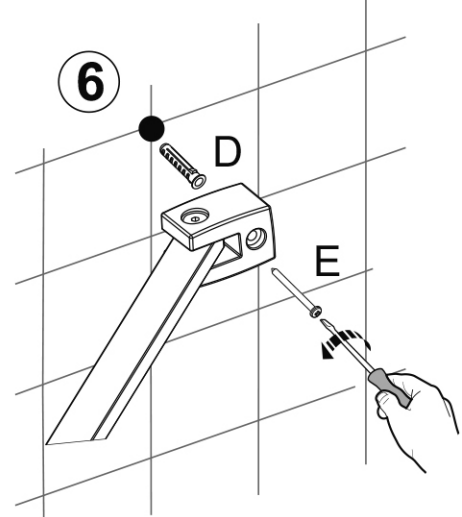
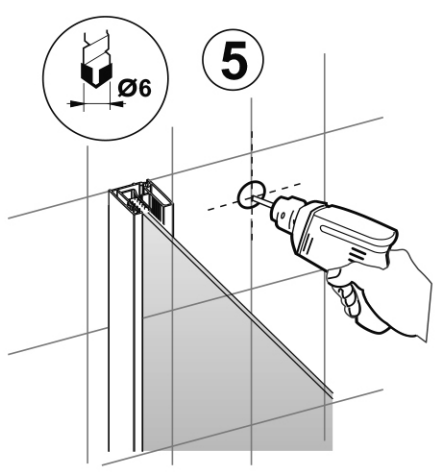
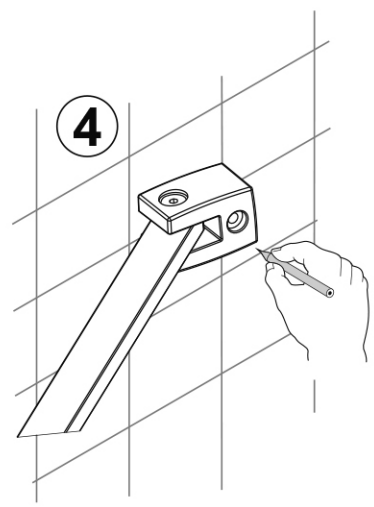
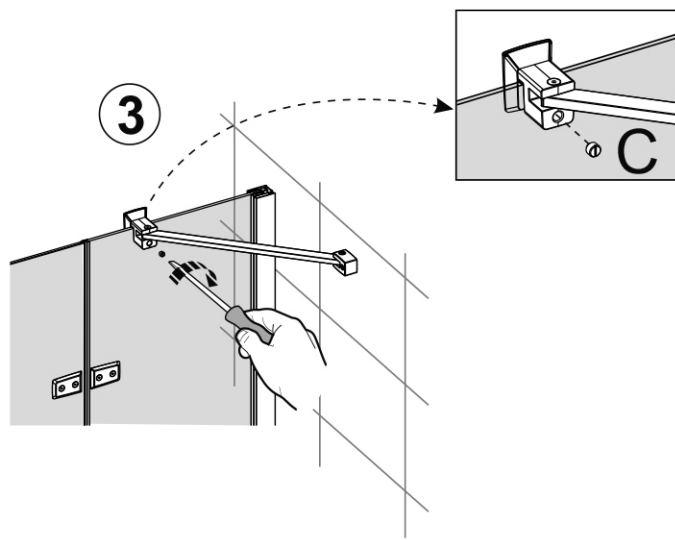
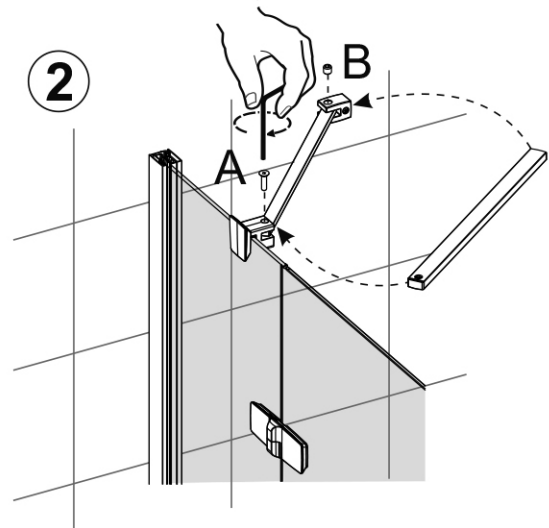
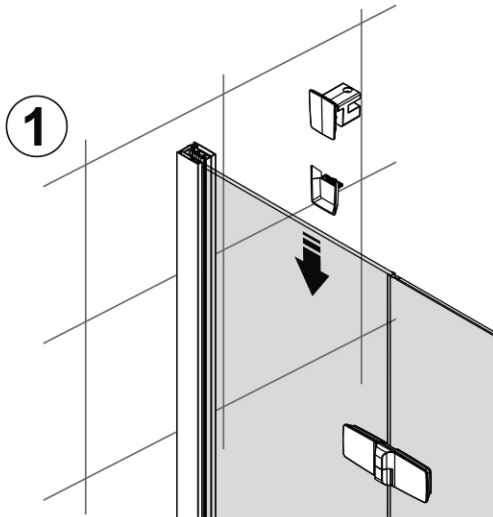
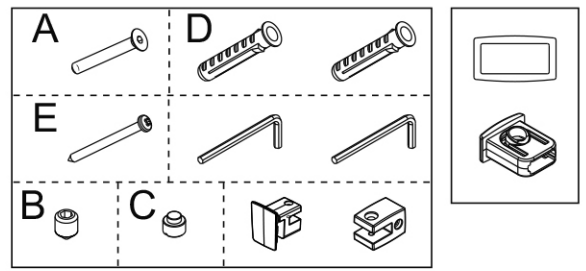


17



T200213

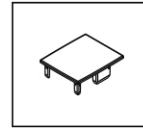
T3S0034



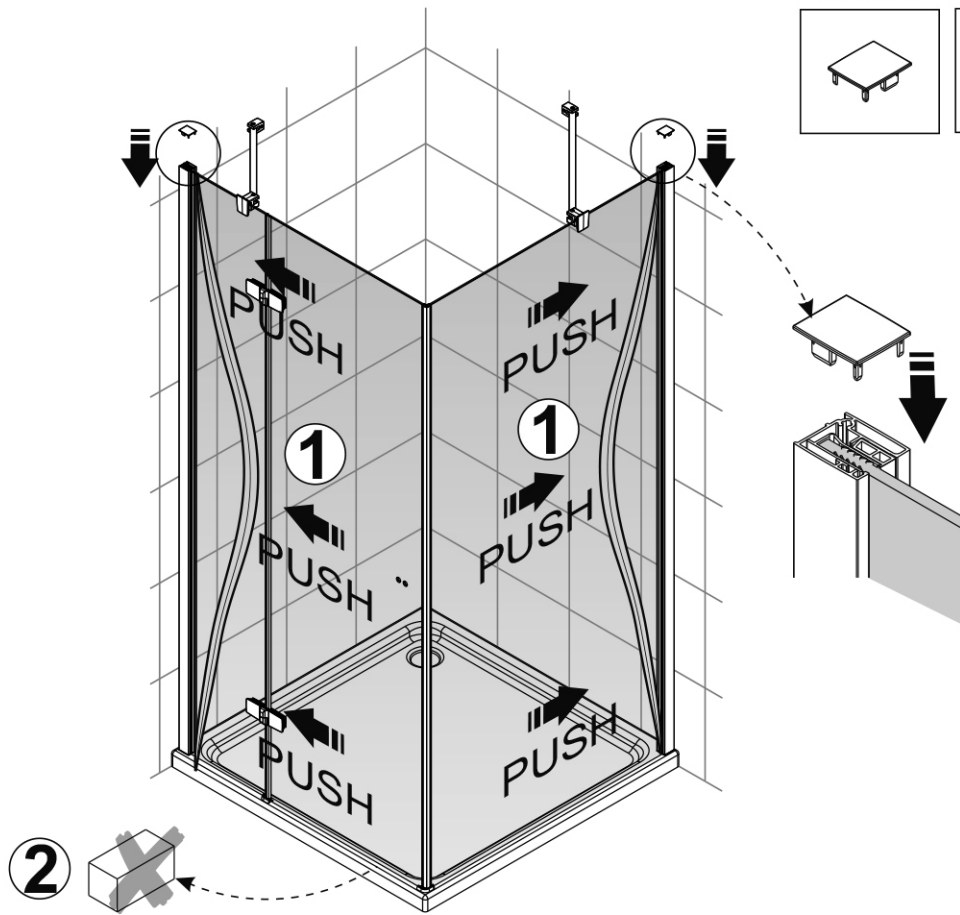
19

T2 00038

MNBH0

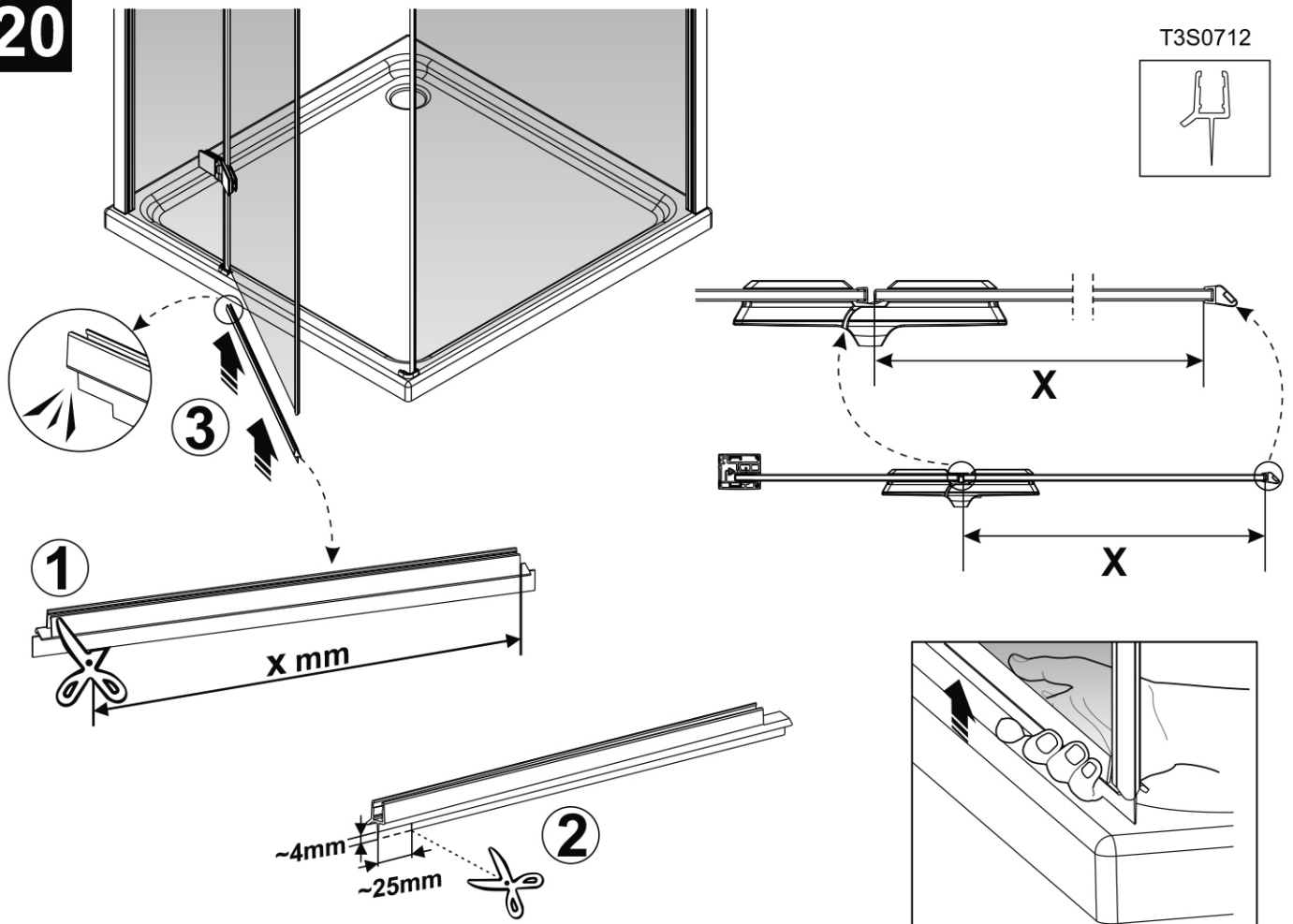
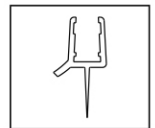


MU0620010



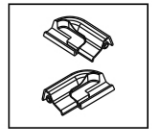
20

T3S0712

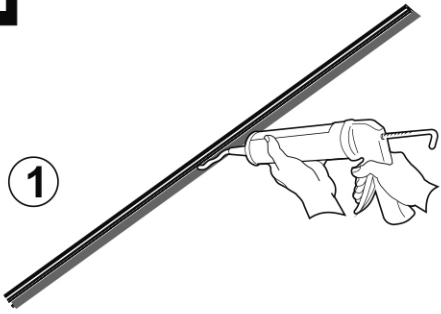


# 21

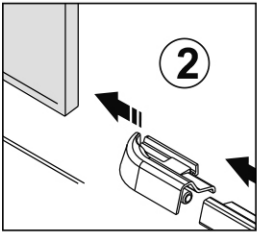
T200035/T200214



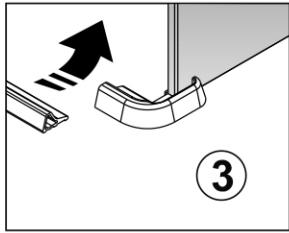
1



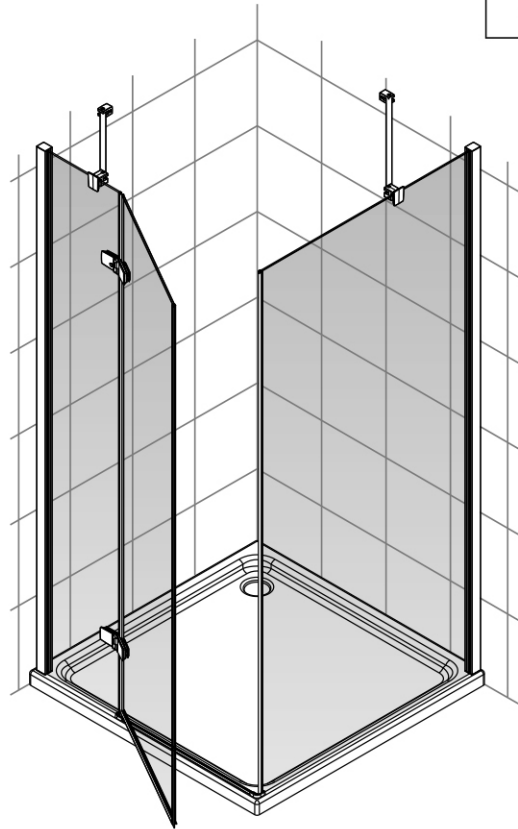
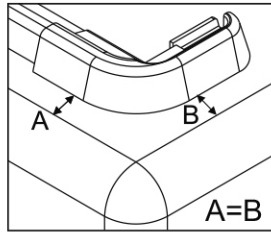
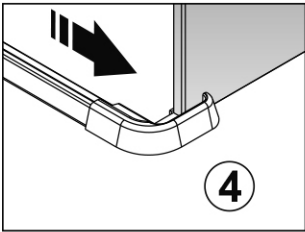
2



3

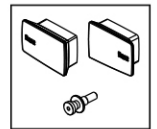


4

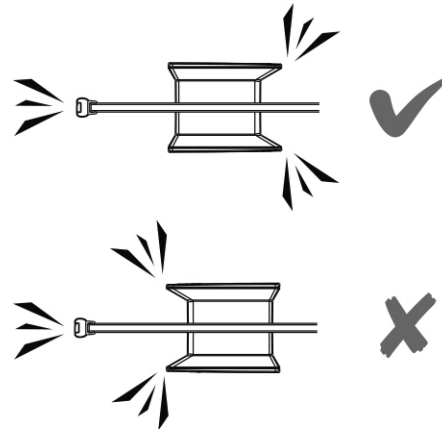
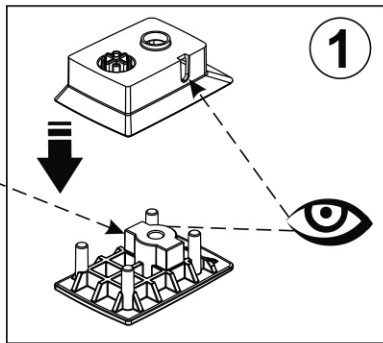
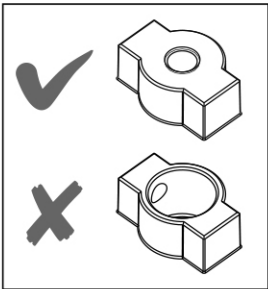


# 22

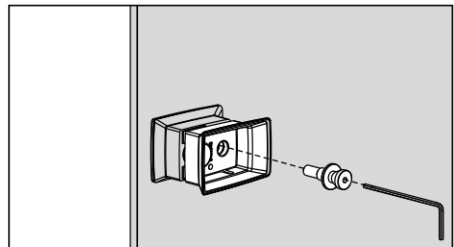
T4S0483



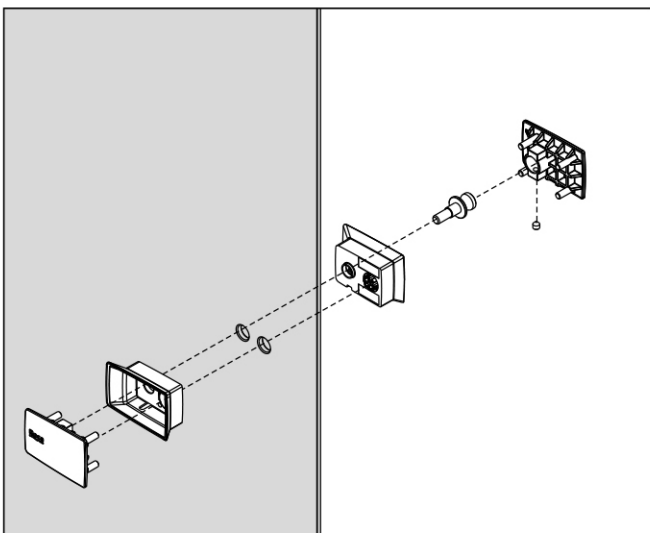
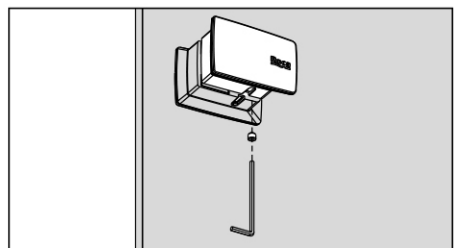
1

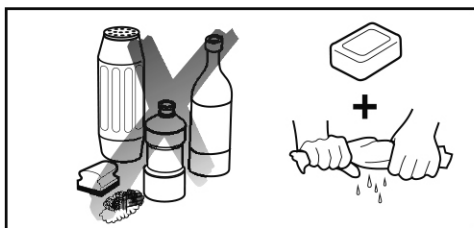
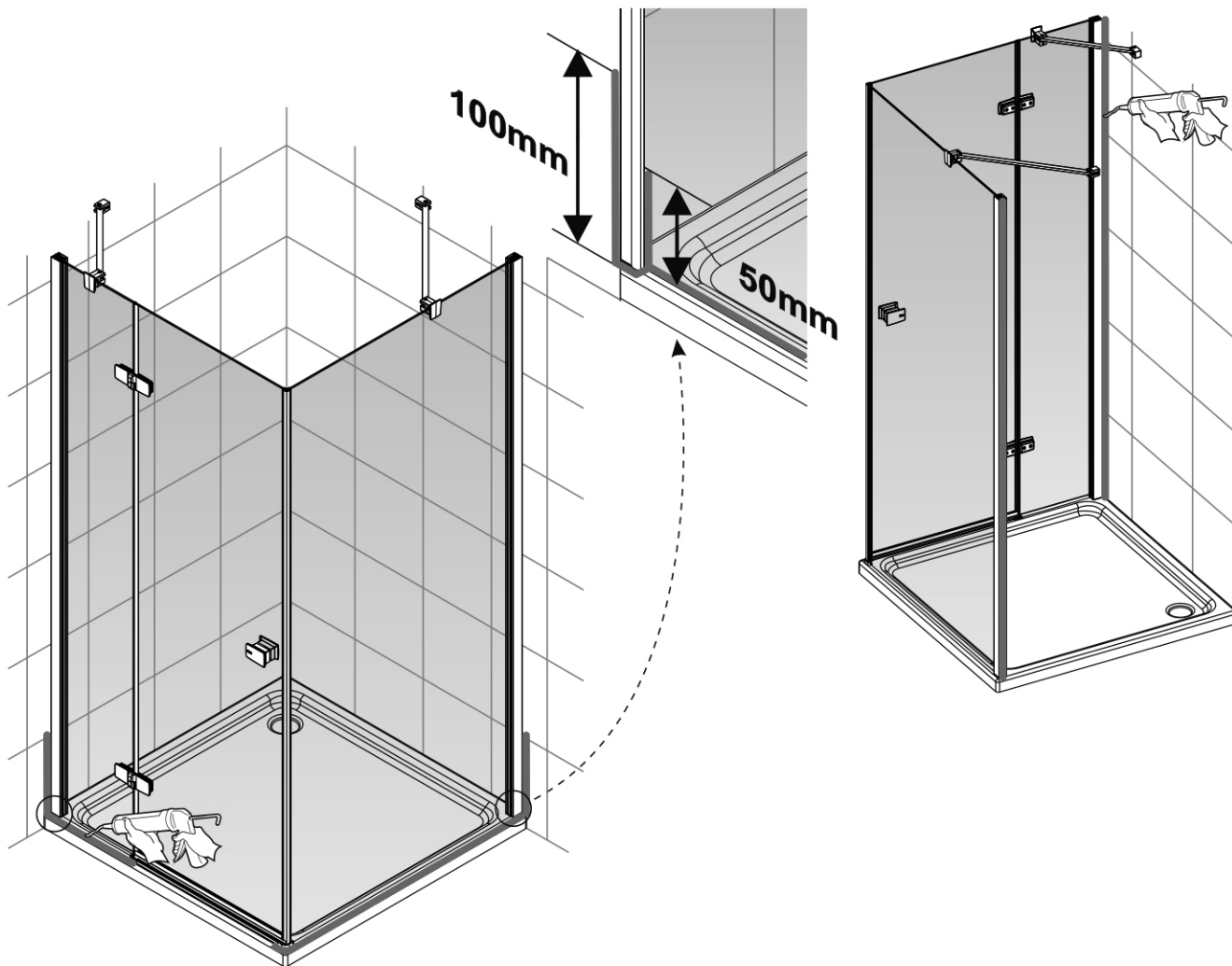


2



3





Roca Sanitario, S.A.

Avda. Diagonal, 513  
 08029 Barcelona - SPAIN  
 Teléfono 93 366 1200  
 Fax 93 419 4501  
 www.roca.es



933  
 661  
 266

LÍNEA DE ATENCIÓN AL CONSUMIDOR ESPAÑA

