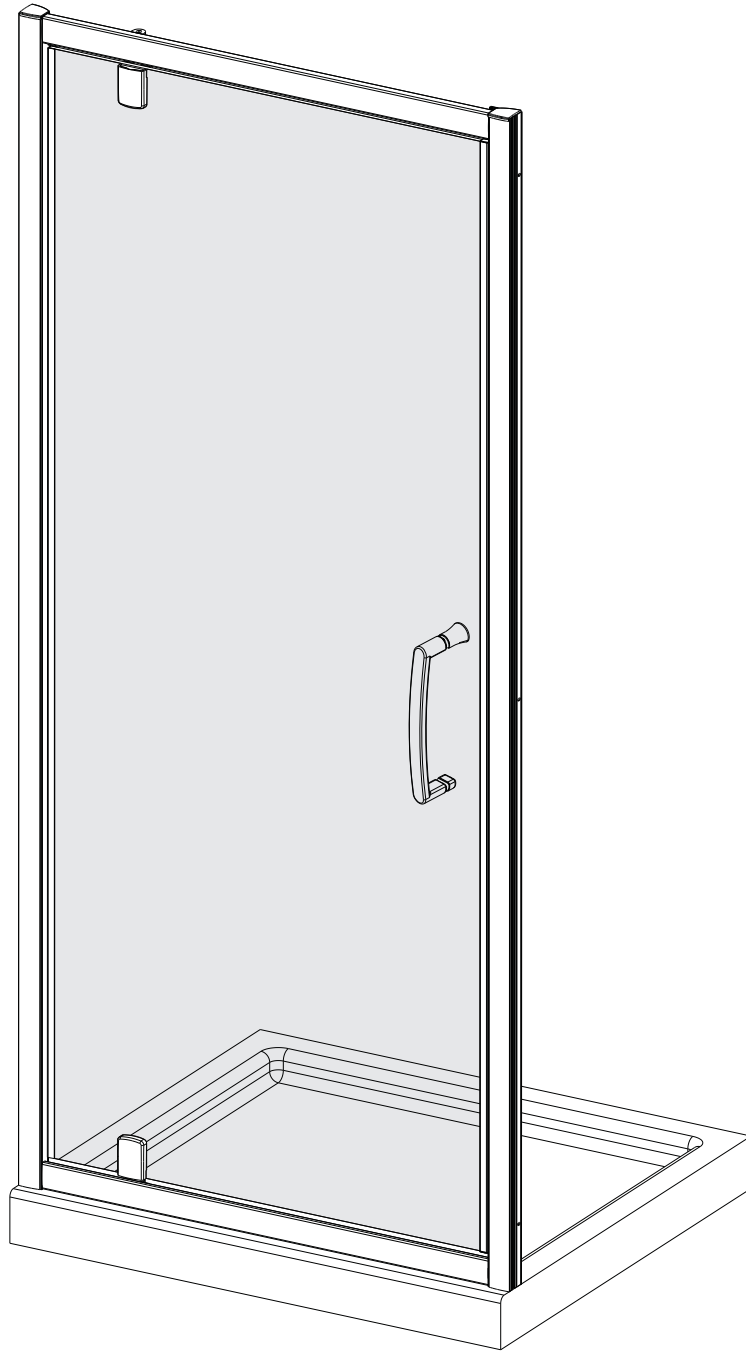


PIVOT DOOR



INSTALLATION INSTRUCTIONS

IMPORTANT

Please familiarise yourself with the fitting instructions before commencing fitting.

1. Check that you have the tools required.
2. Check that the installation site is compatible with size of door supplied.
3. Check all the enclosure components.
4. Check that the installation kit is complete.

DO NOT attempt to install the product unless you can tick ALL 4 boxes as satisfactory.

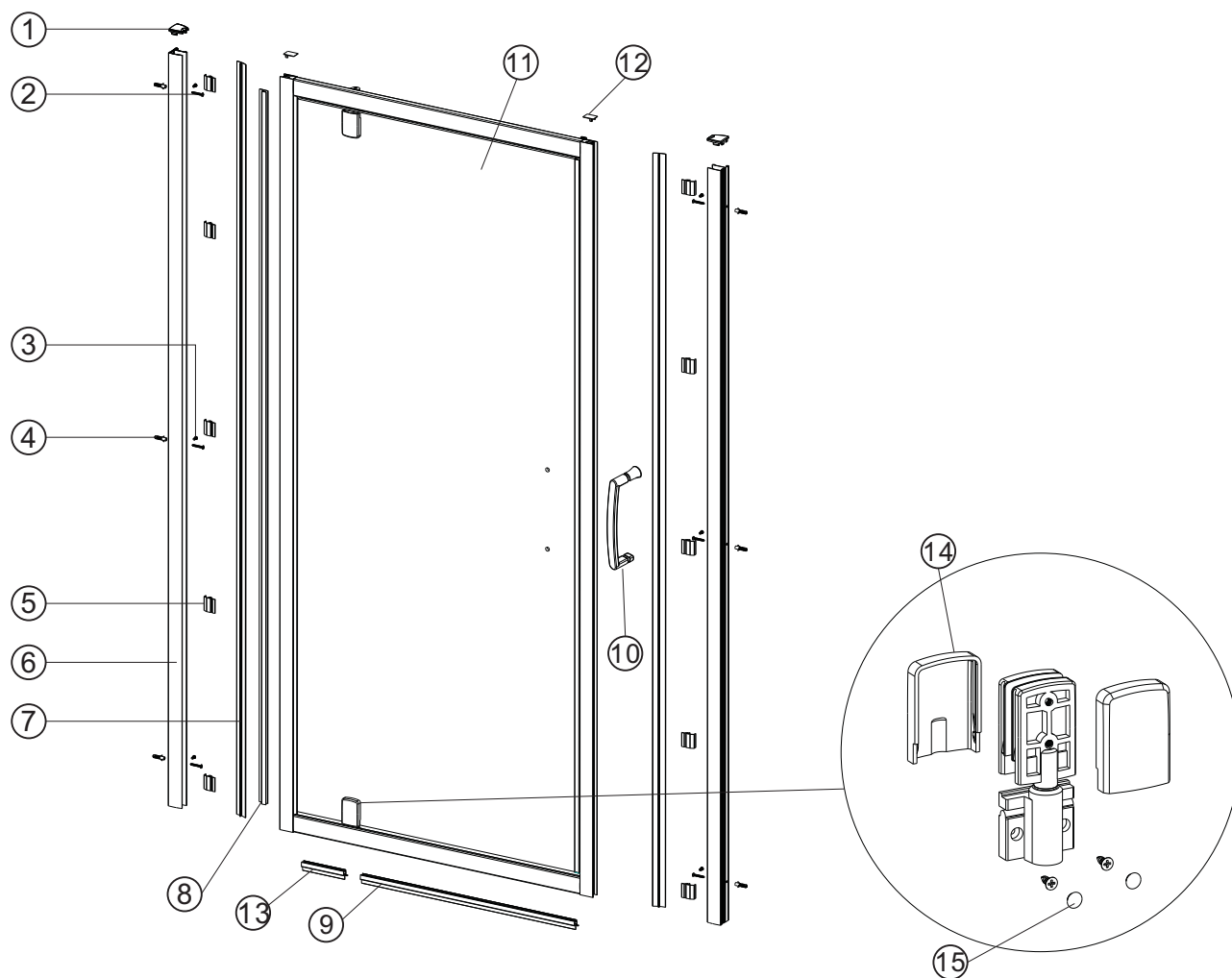
The wall plugs supplied with the installation kit are for use in solid walls. Hollow or 'stud-partition' walls will require alternative fixings. Please consult a hardware supplier for the correct type.

It may also be necessary to consult your tiling supplier about the correct method for drilling your tiles.

USE SAFETY EYEWEAR WHEN DRILLING

Any parts missing or damaged must be reported to your supplier within 5 days of purchase. Inspect shower enclosure before fitting. No claims will be acceptable after product has been installed.

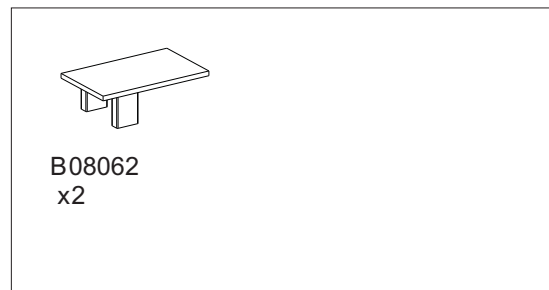
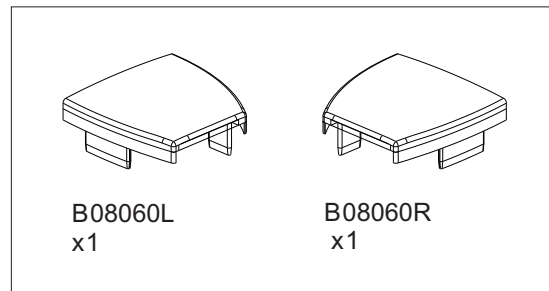
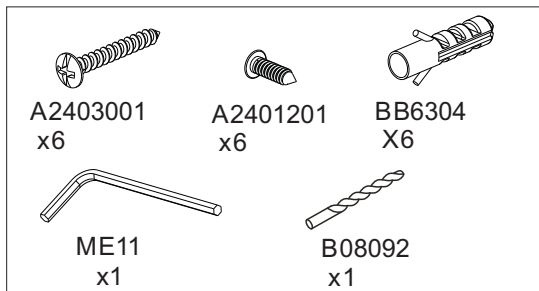
COMPONENTS AND BOX CONTENTS



| No. | Description | QTY | Part No. | No. | Description | QTY | Part No. |
|-----|------------------------------------|-----|------------|-----|-------------------------------|-----|----------|
| 1 | Cover cap for wall profile L/R | 2 | B08060 L/R | 9 | Bottom seal long | 1 | B08046 |
| 2 | Screw ST4x30 | 6 | A2403001 | 10 | Handle | 1 | A |
| 3 | Flat head screw ST4x12 | 6 | A2401201 | 11 | Flat fixed panel | 1 | B |
| 4 | Ø6 x30 wall plug | 6 | BB6304 | 12 | Cover cap for upright profile | 2 | B08062 |
| 5 | Coverstrip clip | 10 | B08054 | 13 | Bottom seal short | 1 | B08088 |
| 6 | Wall profile | 2 | B08021 | 14 | Front & back cover caps | 2 | B08093 |
| 7 | Cover Strip | 2 | B08026 | 15 | Screw cover caps | 2 | B08069 |
| 8 | Upright water seal for fixed panel | 1 | B08048 | | | | |

Note: Further part details for fixing kit available on page 2

FIXING KIT COMPONENTS, TOOLS REQUIRED



Handle as supplied in carton may be different than shown

Tools Required

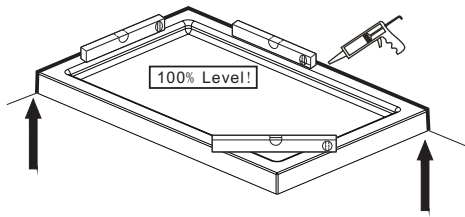
- 6mm masonry drill bit
- Spanner
- Power drill
- Quality Silicone
- Pencil
- Tape Measure
- #2 Philips Head screw driver
- Spirit level with horizontal and vertical level indicators

IMPORTANT-Installation site

1. Ensure the top surface of the shower tray on which the enclosure will be installed is level in every direction.
2. The tiles or other wall finishing should be effectively sealed at the tray edges.
3. Tiles should extend at least to the corners of the tray and a minimum of 2.0 metres from the top of the tray.

POSITIONING OF WALL PROFILES

PROCEDURE



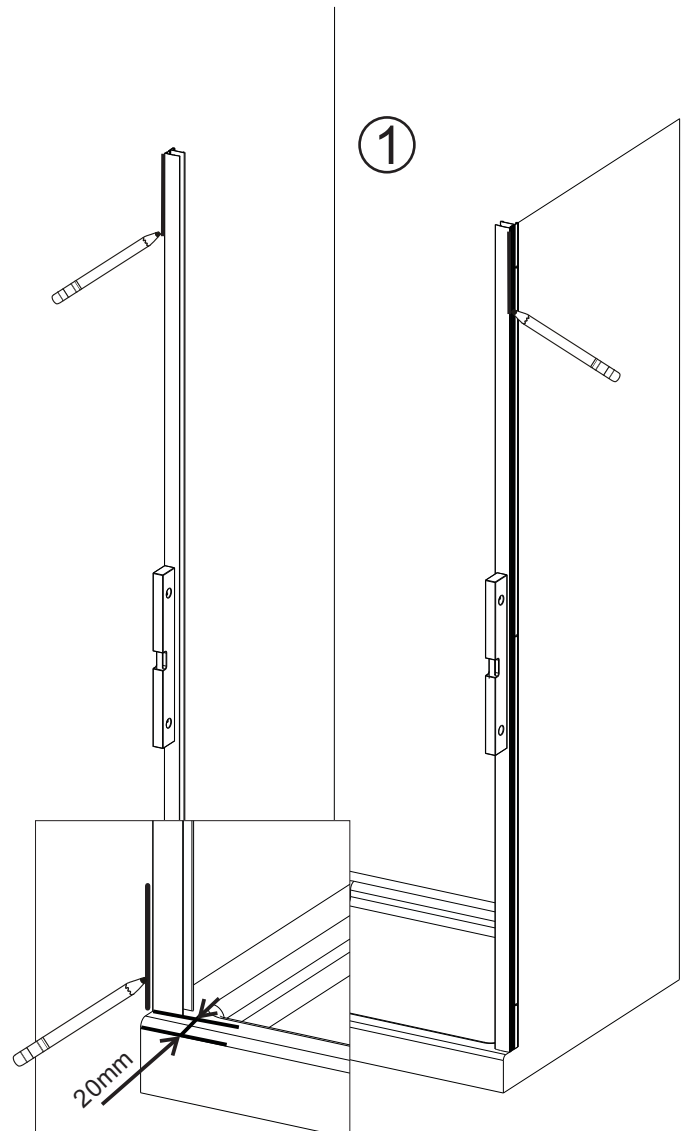
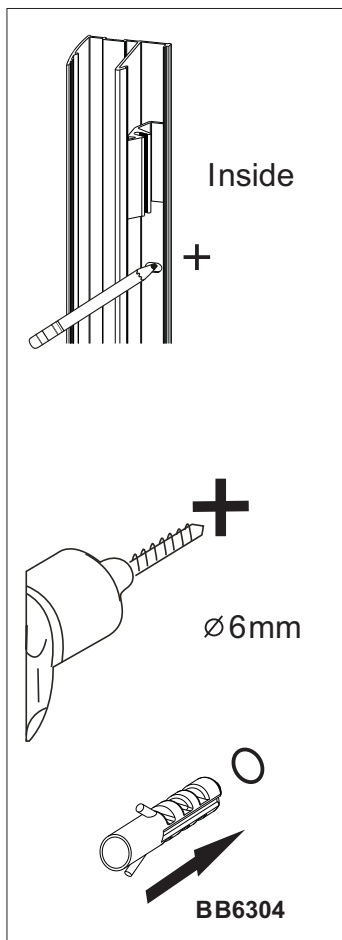
TRAY MUST BE 100% LEVEL IN ALL DIRECTIONS

Ensure the shower tray is level in all directions and is properly sealed to the wall. The wall must be tiled down to the top edge of the tray. **Do not angle out bottom tile.**

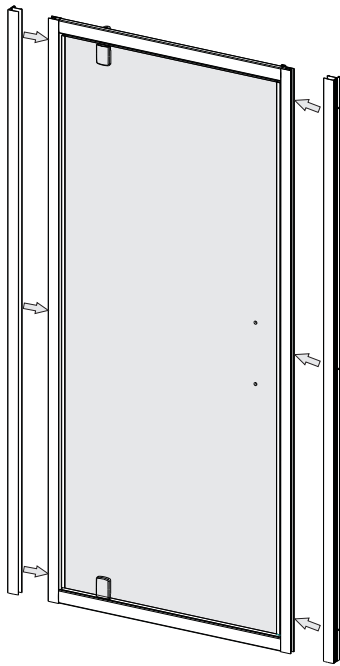
TRAY MUST BE SEALED FULLY AROUND WHERE THE TRAY MEETS THE WALL.

Step 1

Step in the wall profiles 20mm. Ensure the wall profiles are plumb. Mark the position for fixing the wall profile to the wall. Drill with 6mm Masonry drill bit and insert wall plug **BB6304**.

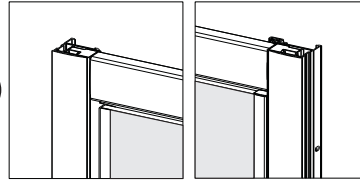


FITTING THE WALL PROFILE



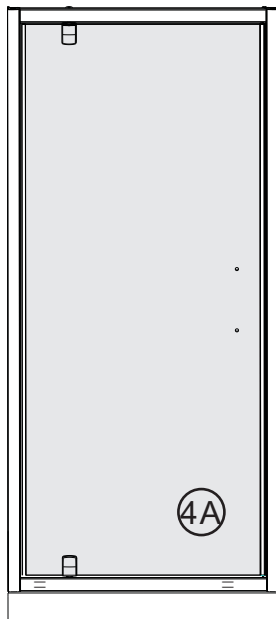
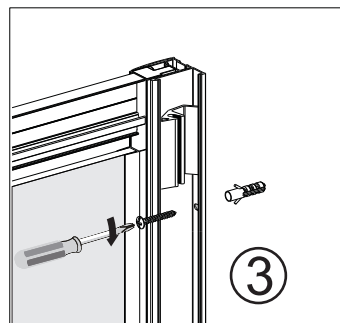
Step 2
Slot wall profiles into door frame, then lift door onto the tray.

③



Step 3

Fix the wall profile to the wall with screws **A2403001**.

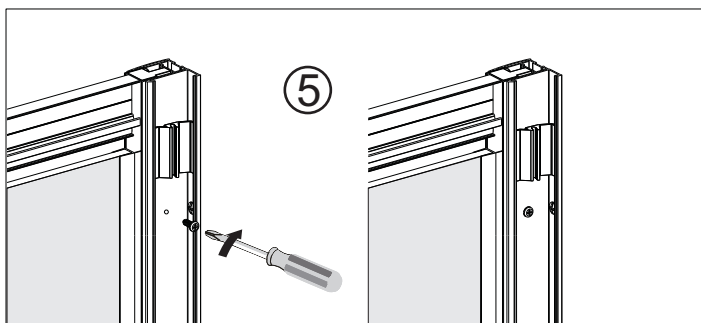
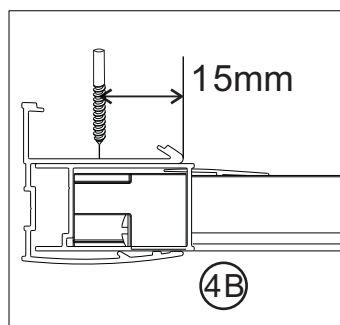


Step 4

Ensure there is an equal gap between the bottom of the door and the frame (4A).

Drill 3 equally spaced holes with 3mm drill bit through the wall profile and frame (4B).

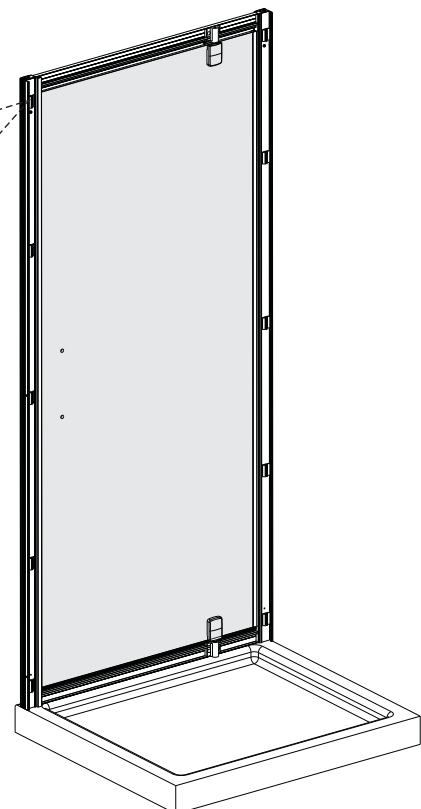
IMPORTANT: Ensure minimum of 15mm from the front edge of the frame (see picture below).



Step 5

Fix the frame with screws **A2401201**.

IMPORTANT: Ensure frame is 100% square and the door closes square in the frame (should be an even gap between bottom of door panel and the bottom profile).

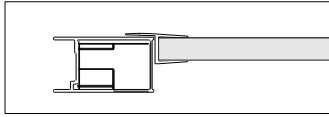


FINISHING

Step 6

Push upright seal to back of moving panel, keeping fin to inside.

⑥



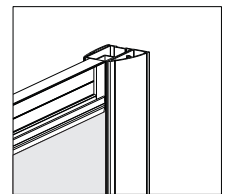
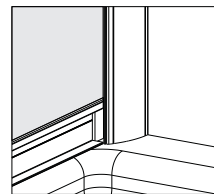
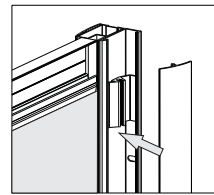
Step 8

Attach the cover strip B08026 to the wall profile.

⑧

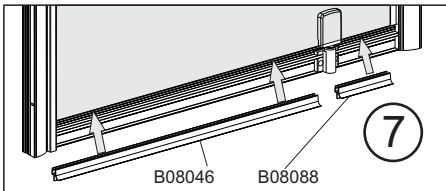


B08026



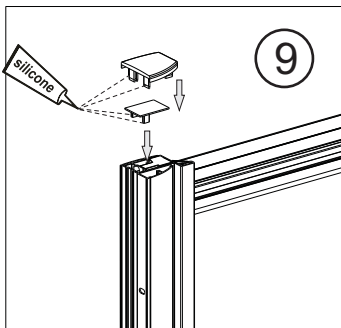
Step 7

Fit bottom seal (B08046/B08088).

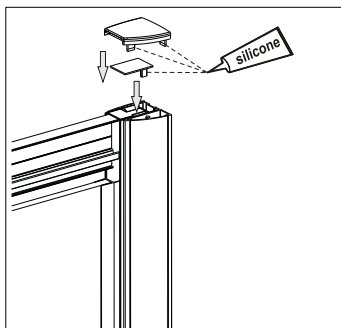


⑦

B08046 B08088

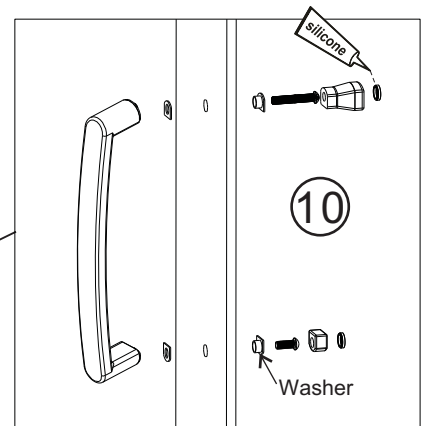


⑨



Step 9

Insert wall profile covercaps B08060L/R followed by the upright profile cover caps B08062. Place a dab of silicone on the cover cap legs to secure in place.



⑩

Washer

Step 10

Fit handle to door

SEALING

Step 11

Use a quality silicone sealant to seal the finished door. Seal joints between the upright profiles and the bottom rail.

Sealing Inside

Seal top to bottom on the **INSIDE** between the wall profile and the wall.

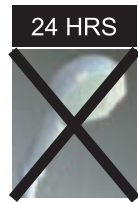
Note: Do not apply sealant on inside of tray.

Sealing Outside

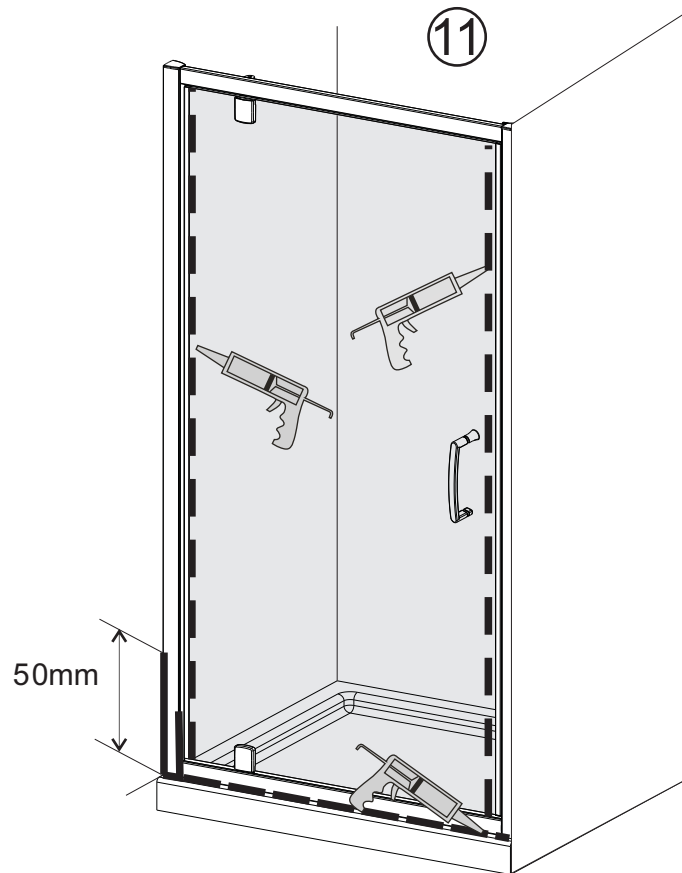
Seal only along bottom rail on the **OUTSIDE** between profile and the tray and approx 50mm up between the wall profile and the wall.

Seal also where wall profile and frame profile overlap 50mm up.

Seal also the joints between the bottom profile and the upright profiles.



DO NOT USE THE
ENCLOSURE FOR
24 HOURS AFTER
SEALING



TROUBLE SHOOTING GUIDE

DOOR NOT ALIGNING

1. Is the tray level and secured? (See Page 3).
2. Are the wall profiles plumb (vertically aligned and checked with a spirit level)? (See step 2).
3. Is the frame 100% square? (See step 6)

DOOR LEAKING

1. Is the unit correctly sealed with silicone? (See step 12)
2. If there is a gap top or bottom between the magnets adjust the wall profile where fixed to the wall.

OTHERS

Do the finished measurements on the tray comply with the adjustments listed in the product specifications book?