



WE ARE IB

Collection

MILANO TORINO

Article

MT200

Description

Monohole washbasin mixer

Box Dimensions

340x180x70 mm

Weight

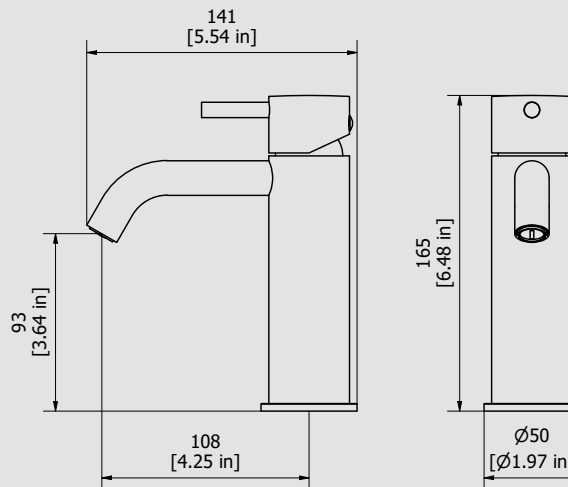
1.6 kg

Finishes

- **CC**
CHROME
- **PL**
PLATINUM
- **SS**
BRUSHED
NICKEL
- **ON**
NATURAL
BRASS
- **BO**
MATT
WHITE
- **NP**
MATT
BLACK
- **CF**
BLACK
CHROME
- **CS**
BRUSHED
BLACK
CHROME
- **II**
PALE
GOLD
- **IS**
BRUSHED
PALE GOLD
- **RS**
ROSE
GOLD
- **SR**
BRUSHED
ROSE GOLD
- **OO**
GOLD
- **OS**
BRUSHED
GOLD
- **RR**
ANTIQUÉ
COPPER
- **BB**
ANTIQUÉ
BRONZE



Dimensions



Cartridge

Ø25 ceramic cartridge

Threaded fitting

Inox hoses G3\8" female 400 mms long

Aerator

M16.5X1

Flow Rate (+/-10%)

1 BAR	2 BAR	3 BAR
6.5 l/m	9 l/m	11 l/m

Production

Main body is a single casted pieces

Material

BRASS
According to CuZn42 (CW510L)
Max Lead content: 0.2%

IB RUBINETTERIE s.p.a
via dei Pianotti 3/5
25068 Sarezzo (BS) - Italy -

T. +39 030 802101
F. +39 030 803097
info@weareib.it

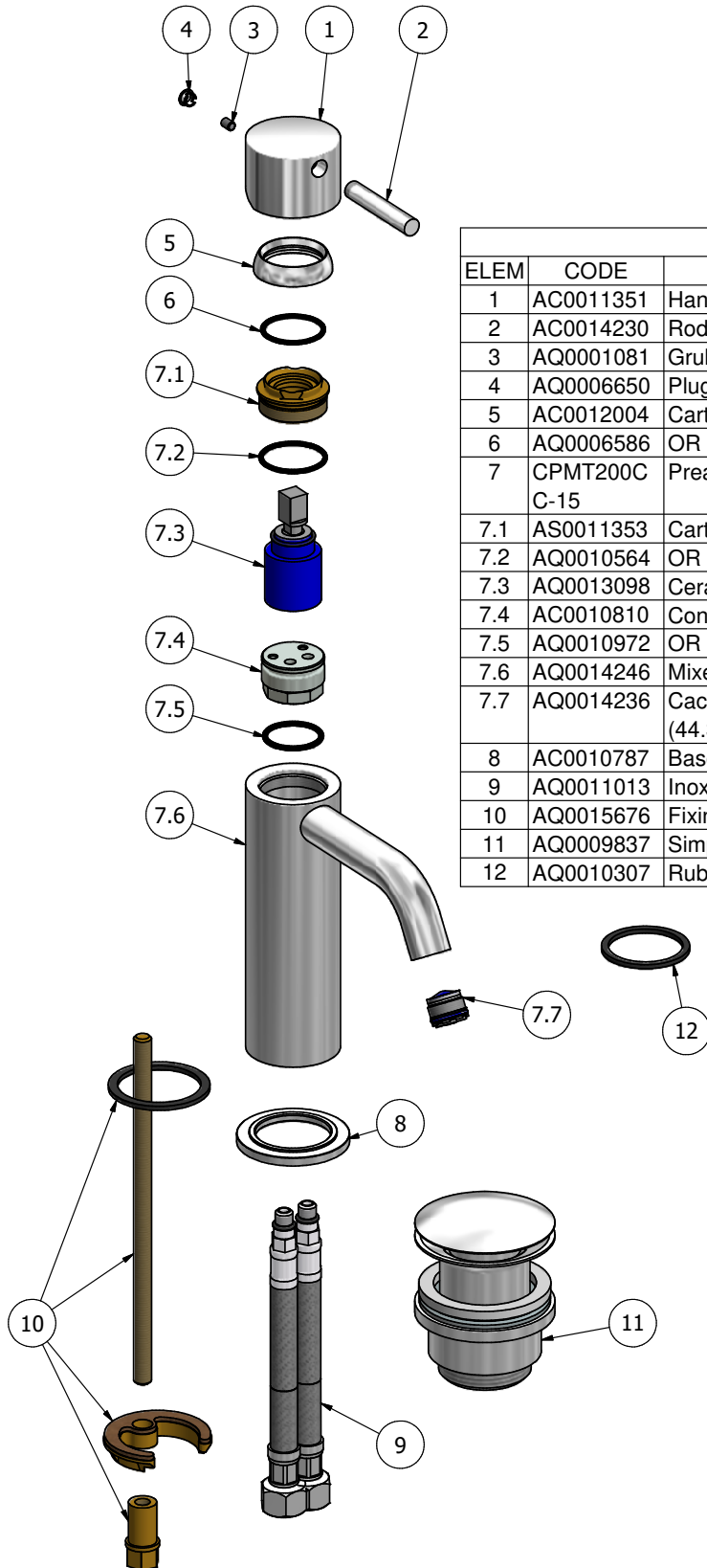
P.IVA 01785230986
capitale sociale
€420.000,00 i.v.

www.weareib.it





WE ARE IB



Parts list			
ELEM	CODE	DESCRIPTION	QT
1	AC0011351	Handle Ø42 H30	1
2	AC0014230	Rod Ø8 H47 M8x1.25	1
3	AQ0001081	Grub screw M4x6 p.p.	1
4	AQ0006650	Plug cover Ø7	1
5	AC0012004	Cartridge fixing nut chromed cover	1
6	AQ0006586	OR 25.12x1.78 NBR 70 SH	1
7	CPMT200C	Preassembled basin mixer C-15	1
7.1	AS0011353	Cartridge fixing nut M30x1 H14.35	1
7.2	AQ0010564	OR 26.7x1.78 NBR 70 SH	1
7.3	AQ0013098	Ceramic cartridge Ø25 9x9 (K25 OP S)	1
7.4	AC0010810	Connection piece Ø27X18	1
7.5	AQ0010972	OR 23x2 NBR 70 SH	1
7.6	AQ0014246	Mixer body Ø42 H129	1
7.7	AQ0014236	Cachè perlator M16,5 x 1 coin slot (44.3230.450)	1
8	AC0010787	Base Ø5 H5	1
9	AQ0011013	Inox hose G3/8" M8x1 L400	2
10	AQ0015676	Fixing set	1
11	AQ0009837	Simple rapid waste 1"1/4	1
12	AQ0010307	Rubber packing Ø39 Ø33 H2	1



WARRANTY

All IB Rubinetterie SpA products are warranted for 10 years from the date of purchase, for the following cases:

- Defects of casting, porosity and chrome plating.
- Operating defects caused by incorrect fabrication.

The warranty provides for repair or replacement of products with fabrication defects recognized by our technical office. There is no other type of compensation anche the merchandise must be returned FOB our warehouse. The warranty only cover surface defects (scatches, dings, etc.) on fitting that have not been installed and used, returned in its original packaging with all components. O-ring, gasket seals and components subject to wear proportional to use are warranted for 2 years.

The warranty is void in the following cases:

Error installing and putting the product into service.

Deterioration of finished surfaces due to use of cleaning products containing acids or abrasive substances. Deterioration of surface with finishes other than chrome plating. Their durability is, in fact, dependent on the user's care and gentleness of use.

Deterioration of the fitting due incorrect installation.

Improper repairs and maintenance performed without the company's prior authorization.

The warranty from IB Rubinetterie SpA is not renewable.

Cleaning

We recommended cleaning the finish surfaces with water and soap, using a soft cloth.

Do not use detergents that contain hydrochloric acid or abrasive substances.

