

# Mixer

QTOO collection

d line

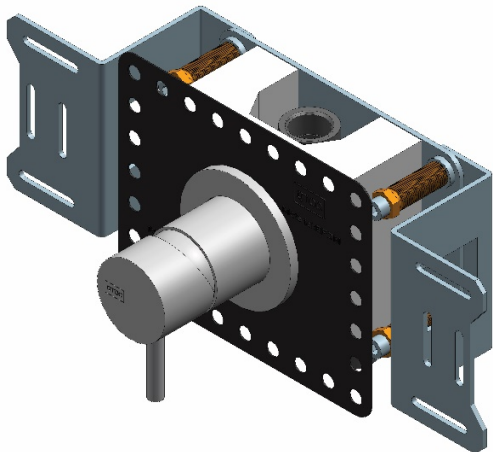
## PRODUCT DATA SHEET

ITEM NUMBER    SURFACE  
QS3100

### PRODUCT

Build in mixer in stainless steel (ONLY BUILD IN PART)

### PICTURE



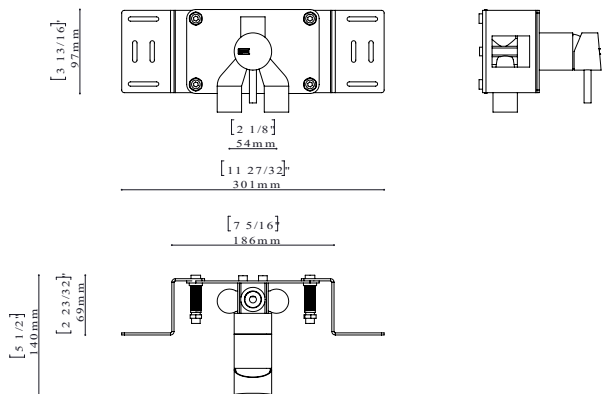
### TENDER TEXT

Build in mixer with body in solid stainless steel to secure low heavy metal content. Conforms to CSA with min. 500.000 operation cycles securing long life span. Easy to install with multi-adjustable installation unit. No factory made connections as extra anti-leakage safety. Lead free compliant and 10 year full warranty.

### PRODUCT SPECIFICATION

Build in depth 2 3/4" \_69mm  
7.5gpm at 65psi\_23.0ltr at 3bar  
Stainless steel AISI304  
Lead free compliant

### DRAWING



### SPARE PARTS / ACCESSORIES:

### PRODUCT CARE

d line products are produced in the highest quality stainless steel, marine grade, AISI 304.

To sustain the unique d line finish appearance please follow the below instructions:

- Wash down the surfaces using soapy water or mild detergent
- Always thoroughly rinse off with clean water
- To complete the cleaning procedure dry/polish the surfaces with a soft dry cloth

Please do not use scouring powder, steel wool, chloride based detergents or other aggressive cleaning products as these may damage the surface.

If spots or corrosion appear on the surface it is not due to the stainless steel quality, but to impurities in the environment, aggressive conditions or improper or insufficient cleaning.

Link to our maintenance guide: <https://dline.com/maintenance/>