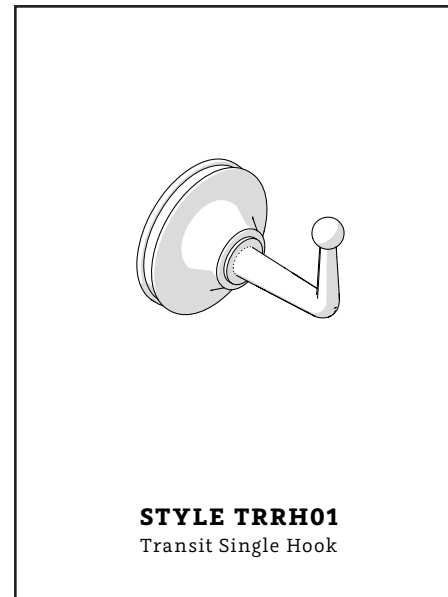
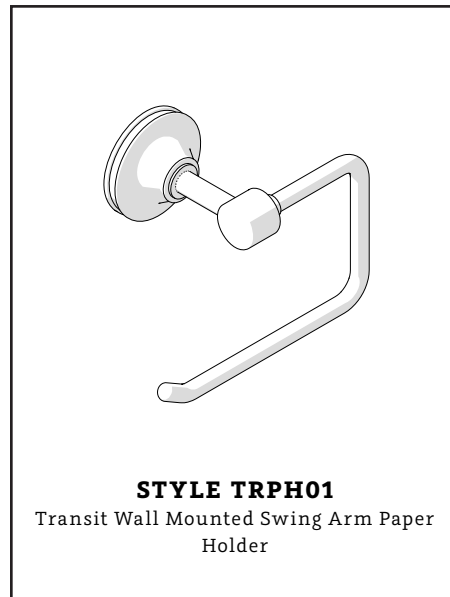
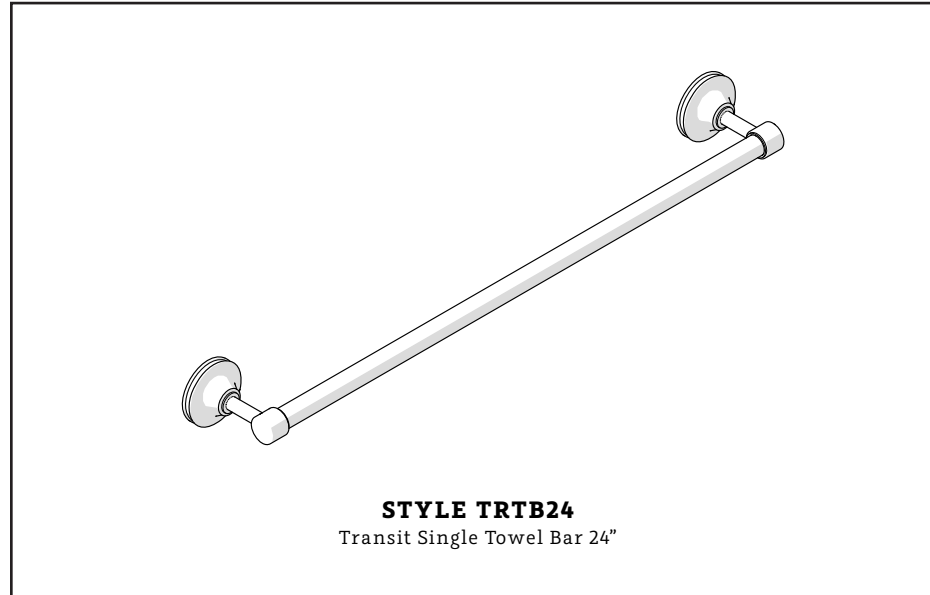


WATERWORKS STUDIO

SERVICE PARTS



WELCOME TO

WATERWORKS STUDIO

Over thirty years of experience distilled into signature fittings, surfaces, textiles, and accessories. Waterworks Studio is an edited collection of design solutions curated to be concise, engineered to be complete, and crafted for quality.

Everything you need, nothing more.

**TO ORDER PARTS CALL
1 (800) 927-2120 (EXT 2)**

Order by part number and specify color, finish, or other options if required.

PRODUCT SUPPORT

Our Product Support team provides troubleshooting and technical problem resolution, including replacement parts and installation recommendations throughout the life of your product.

Product Support is available Monday through Friday, 9am-6pm.

**LIMITED LIFETIME
WARRANTY**

Our warranty covers repair and replacement of Waterworks products if within the applicable coverage period and deemed defective by Waterworks. Waterworks will, at its option, repair or replace such products; this does not include installation costs, labor charges, or other incidental or consequential costs.

To obtain your complete warranty or inquire about warranty service, please visit us at www.waterworks.com or contact our Product Support Team.

MAIN KITS

635164*

TOWEL BAR RIGHT END KIT

702454

MOUNTING HARDWARE KIT

011948*

TOWEL BAR
LEFT END KIT

124746*

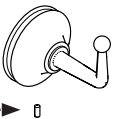
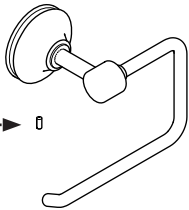
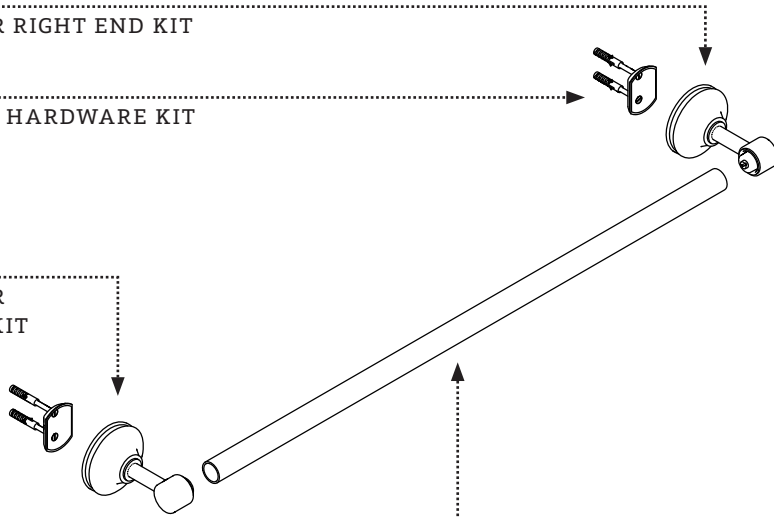
TOWEL BAR ROD KIT

317610

FASTENING
SET SCREW

317610

FASTENING
SET SCREW

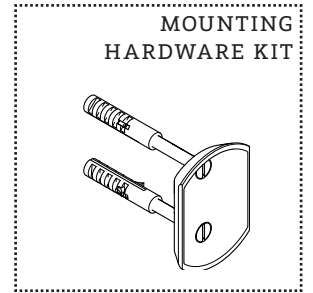


*FINISH/COLOR MUST BE SPECIFIED WHEN ORDERING
++SUPPLIED AS A PAIR

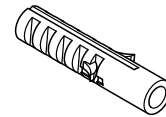
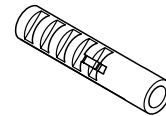
KIT COMPONENTS

702454

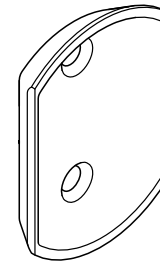
MOUNTING
HARDWARE KIT



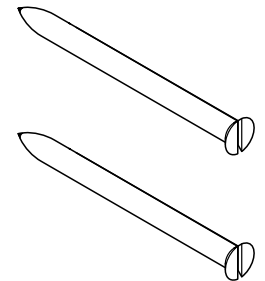
ANCHOR



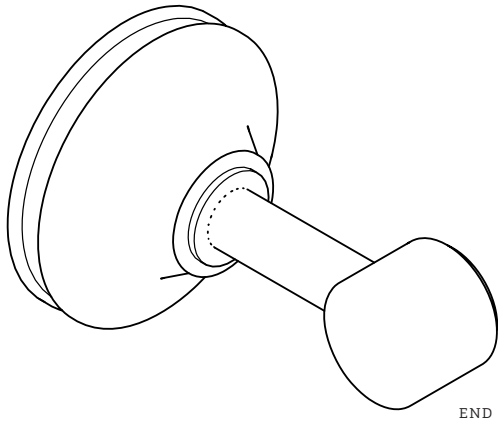
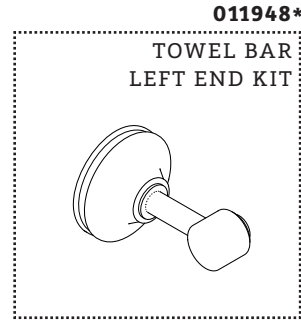
MOUNTING PLATE



SCREW

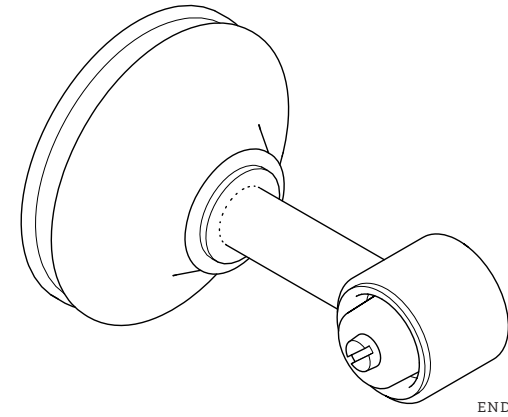
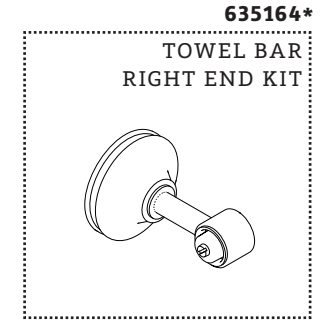


KIT COMPONENTS



317610
FASTENING SET SCREW

KIT COMPONENTS



317610
FASTENING SET SCREW

NOTES

SERVICE PARTS INDEX

<u>STYLE</u>	<u>DESCRIPTION</u>	<u>PG</u>
317610	FASTENING SET SCREW	5
702454	MOUNTING HARDWARE KIT	3
011948*	TOWEL BAR LEFT END KIT	4
635164*	TOWEL BAR RIGHT END KIT	5
124746*	TOWEL BAR ROD KIT	2

NOTES

NOTES



WATERWORKS
STUDIO

PRODUCT SUPPORT

60 BACKUS AVENUE
DANBURY, CT 06810

1 (800) 927-2120 (EXT 2)

WWW.WATERWORKS.COM/STUDIO