



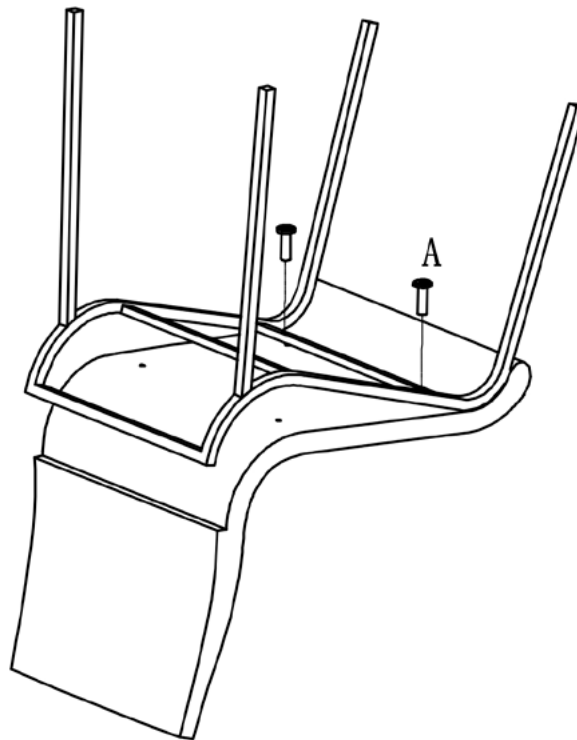
A	B
	
4 PCS	1 PCS

FIG.
1



Note: For Step1, lean the chair frame a little first as the illustration, press chair frame and pre-tighten the front two screws(A). Not let the screws be tightened until Step2 finished.

FIG.
2

