

# Kitchen tap

QTOO collection

d line

## PRODUCT DATA SHEET

ITEM NUMBER	SURFACE
QT2100M	Brushed stainless steel
QT2100P	Polished stainless steel

**PRODUCT**  
Kitchen tap in marine grade stainless steel

### PICTURE



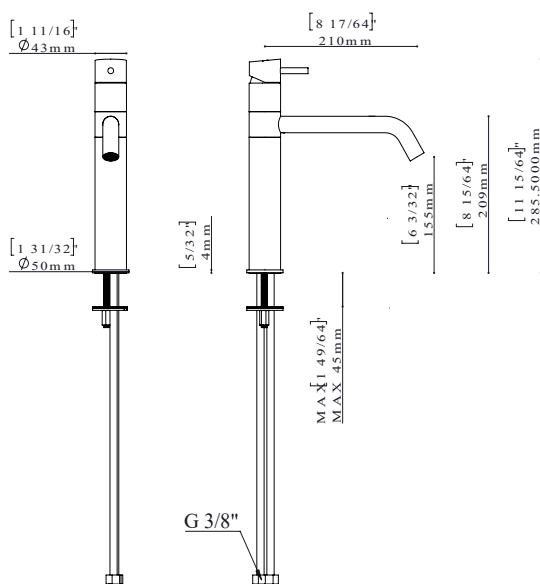
### TENDER TEXT

Kitchen tap in marine grade stainless steel. Conforms to CSA with min. 500.000 operation cycles securing long life span. Lead free compliant and 10 year full warranty.

### PRODUCT SPECIFICATION

7 7/8" \_200mm projection  
Swivel spout  
Build in aerator  
Total height 11" \_280mm  
Height to aerator 6 3/32" \_155mm  
2x 3/8" flexible supply lines  
Water flow rate limited to max. 2.2 gpm \_8.4 ltr.  
Marine grade stainless steel AISI316  
Lead free compliant

### DRAWING



### SPARE PARTS / ACCESSORIES:

### PRODUCT CARE

d line products are produced in the highest quality stainless steel, marine grade, AISI 316. To sustain the unique d line finish appearance please follow the below instructions:

- Wash down the surfaces using soapy water or mild detergent
- Always thoroughly rinse off with clean water
- To complete the cleaning procedure dry/polish the surfaces with a soft dry cloth

Please do not use scouring powder, steel wool, chloride based detergents or other aggressive cleaning products as these may damage the surface.

If spots or corrosion appear on the surface it is not due to the stainless steel quality, but to impurities in the environment, aggressive conditions or improper or insufficient cleaning.

Link to our maintenance guide: <https://dline.com/maintenance/>