

## MICRO 400 + Basin MINI

### MATERIALS

- **Door manufacture (Thickness = 16 mm):**
  - Gloss white, Matt grey: particle board lacquered with high gloss polyester UV paint
  - Oak caledonia, Oak eternity: laminated particle board..
- **Fabricación laterales (Thickness = 16 mm):**
  - Gloss white, Matt grey: particle board lacquered with high gloss polyester UV paint
  - Oak caledonia, Oak eternity: laminated particle board.
- **Structure fabrication (thickness = 16mm):** laminated particle board. With an interior shelf.

\* All panels used in the manufacture of this unit are classed as E-1 grade with low level of formaldehyde content.

\*Edges according to design: PVC, ABS. (edged with PUR glue)



### Finishes



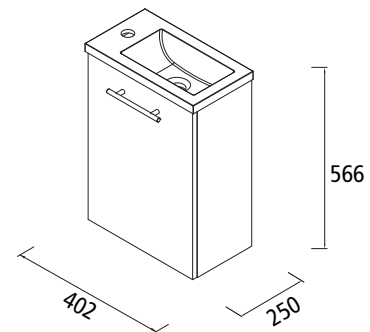
### METAL FITTINGS

- **Handle:** made of steel bright chrome finish.
- **Cabinet hangers:** Highly resistant hanger with two separate adjustments certified under DIN 68840 (equivalent to 130 Kg end loading capacity per piece).
- **Hinges:** Soft closing doors.

### Wash basins available

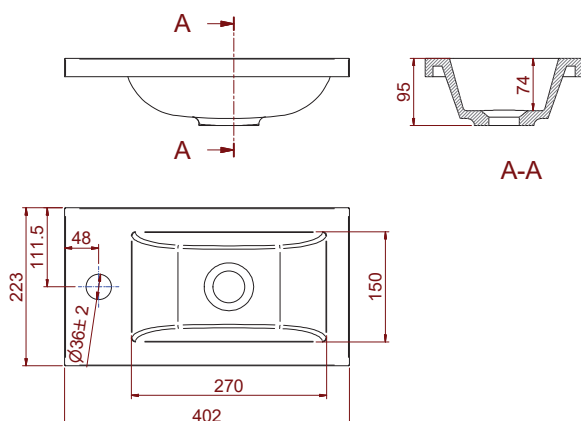
- 400: Mini mineral load washbasin.

### Dimensional sketch



Reversible washbasin with possibility of left hand and right

### Washbasin dimensions



### Free space water intake

