

#### Features

- Bask® heated surface creates spa-like relaxation with soothing warmth on your back, shoulders, and neck.
- Three heat settings allow you to customize the surface temperature.
- Curved basin and integral apron create a graceful and spacious bathing experience.
- Integral flange helps prevent water from seeping behind wall and simplifies alcove installation.
- Textured bottom.

#### Material

- Acrylic.

#### Installation

- Left drain.
- Alcove.

#### Recommended Products/Accessories

K-7161-AF 1-1/2" adjustable pop-up drain above- or through-floor  
K-7213 27" Cable Bath Drain  
K-7214 27" Cable Bath Drain  
K-24916 Wireless Music Kit  
K-23726 Drain treatment  
K-23732 Tub & shower cleaner

#### Included Components

Additional Components:  
40" (1016 mm) cable



#### Codes/Standards

CSA B45.5/IAPMO Z124  
ASTM E162




**KOHLER® Plastic Baths and Receptors  
Lifetime Limited Warranty  
KOHLER® Hydrotherapy Components  
Five-Year Limited Warranty**

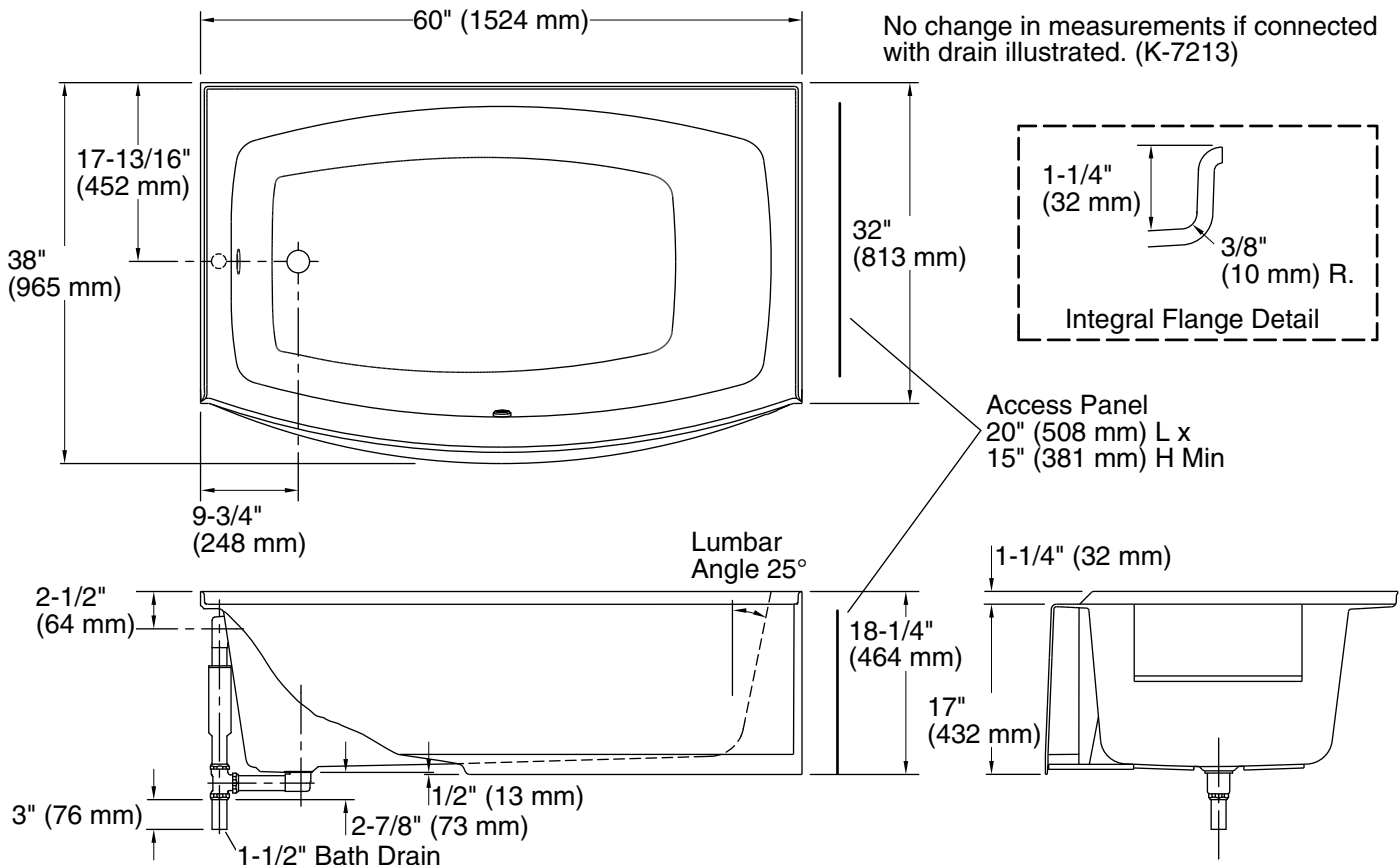
See website for detailed warranty information.

#### Available Colors/Finishes

*Color tiles intended for reference only.*

Color	Code	Description
-------	------	-------------

	0	White
	96	Biscuit
	47	Almond



### Required Electrical Service

One circuit required, protected with Class A Ground-Fault Circuit-Interrupter (GFCI). Outside North America, this device may be known as a Residual Current Device (RCD).

Heated Surface: 120 V, 15 A

### Technical Information

All product dimensions are nominal.

Installation:	Three-wall alcove
Drain location:	Left
Basin area, bottom:	45-11/16" x 27-5/8" (1160 mm x 702 mm)
Basin area, top:	54" x 31" (1372 mm x 787 mm)
Weight:	78 lbs (35.4 kg)
Minimum floor load:	38 lbs/ft <sup>2</sup> (185.5 kg/m <sup>2</sup> )
Water depth:	12-5/8" (321 mm)
Water capacity:	60 gal (227.1 L)
Electrical component rating:	Heated Surface: 120 V, 0.5 A, 50/60 Hz, 65 W

### Notes

Measure your actual product for rough-in details. Install this product according to the installation instructions.

The hot water supply should be 70% of the capacity of the bath or greater. Installations will vary.