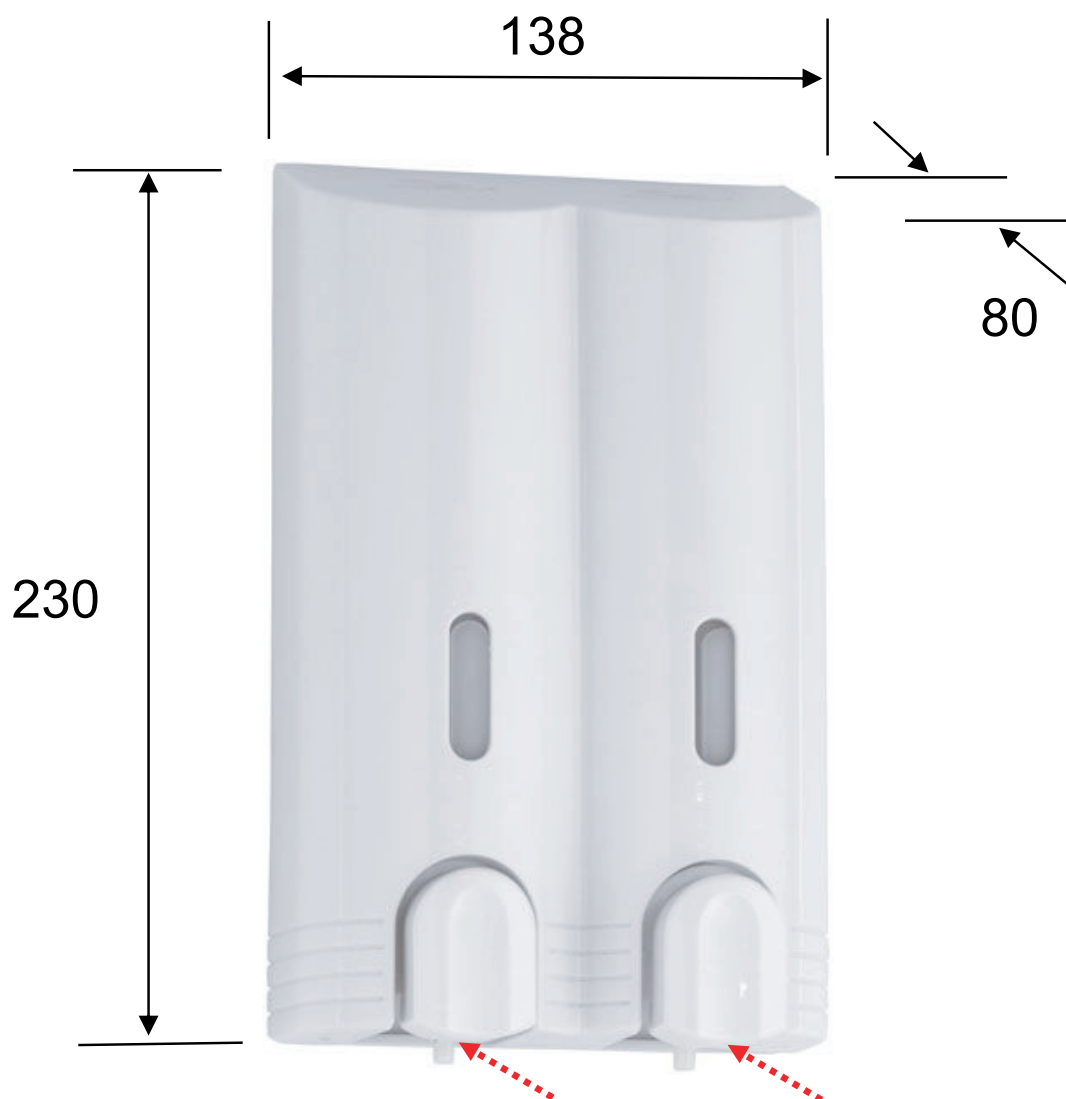


ART. COD.

A1065BI



MATERIALI / MATERIALS

ABS

CROMATURA / CHROME PLATING

UNI EN 248