



IB RUBINETTI

Collection

K2

Article

K2210

Description

Ceiling spout with wall mounted mixer

Built-in body to be purchased separately INC300XXXN_19

Box Dimensions

150 x 190 x 98 mm
1700 Ø70 mm

Weight

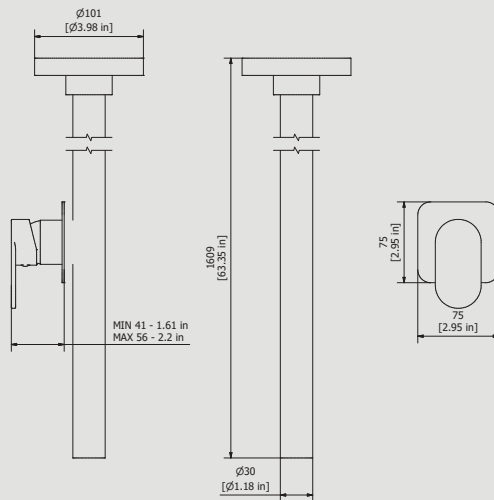
4.5 kg

Finishes

- **CC** CHROME
- **CF** BLACK CHROME
- **OO** GOLD
- **BB** ANTIQUE BRONZE
- **SS** BRUSHED NICKEL
- **CS** BRUSHED BLACK CHROME
- **BO** MATT WHITE
- **NP** MATT BLACK
- **IS** BRUSHED PALE GOLD
- **OS** BRUSHED GOLD
- **II** PALE GOLD
- **RR** ANTIQUE COPPER
- **ORS** ROSE GOLD
- **ON** NATURAL BRASS
- **SR** BRUSHED ROSE GOLD
- **PL** PLATINUM



Dimensions



Cartridge

Ø35 ceramic cartridge

Threaded fitting

G1/2" female

Aerator

M24x1

Flow Rate (+/-10%)

1 BAR	2 BAR	3 BAR
4.3 l/min	5.2 l/min	6.9 l/min

Production

Main body is a single hot stamped pieces

Material

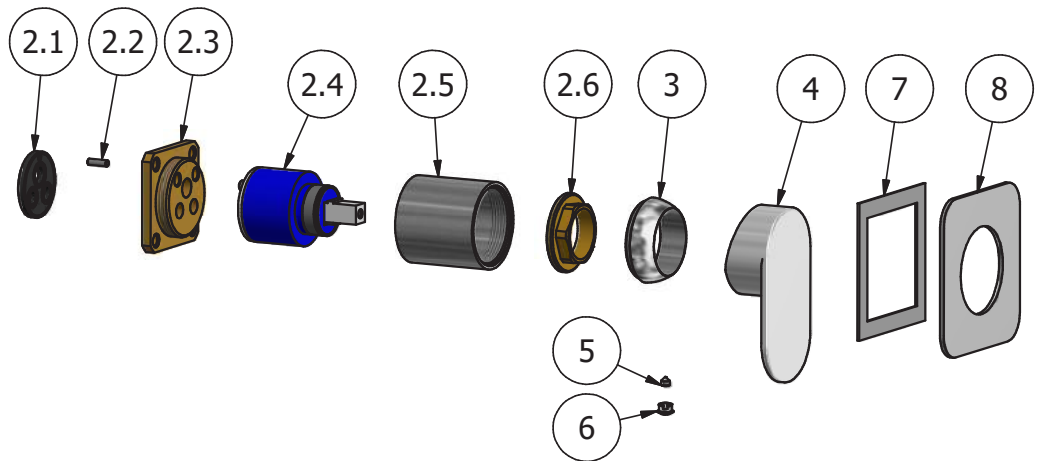
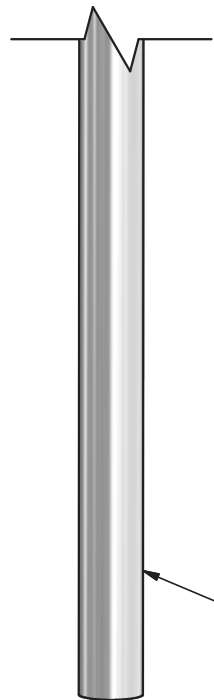
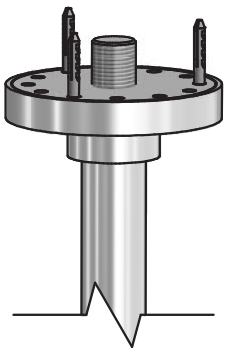
BRASS
According to CuZn49 (CW510L)
Max Lead content: 0.2%





IB RUBINETTI

Parts list			
ELEM	CODE	DESCRIPTION	QT
1	AQ0014252	Ceiling wash basin mixer	1
2	CPIN206CC-19	Mixer 47x47 x recessed	1
2.1	AQ0015684	Gasket Ø31 x Ø3.5	1
2.2	AQ0015357	Grubscrew M3x10 flat point	1
2.3	AS0013040	Insert q.47x47 h11 M22x1M x mixer	1
2.4	AQ0004095	Ceramic cartridge Ø35 9x9 (K35A)	1
2.5	AC0010445	Ring for recessed shower mixer	1
2.6	AQ0001040	Cartridge ring nut M37x1.5 H9	1
3	AQ0003630	Cartridge ring nut cover M37x1.5	1
4	AQ0014030	Lever	1
5	AQ0001082	Grubscrew M4x4 cone point	1
6	AQ0006650	Plug cover Ø7	1
7	AQ0015829	Rubber packing double-sided tape 65x65x8x1	1
8	AC0013100	Plate 75x75x2	1



WARRANTY

All IB Rubinetterie SpA products are warranted for 10 years from the date of purchase, for the following cases:

- Defects of casting, porosity and chrome plating.
- Operating defects caused by incorrect fabrication.

The warranty provides for repair or replacement of products with fabrication defects recognized by our technical office. There is no other type of compensation anche the merchandise must be returned FOB our warehouse. The warranty only cover surface defects (scatches, dings, etc.) on fitting that have not been installed and used, returned in its original packaging with all components. O-ring, gasket seals and components subject to wear proportional to use are warranted for 2 years.

The warranty is void in the following cases:

Error installing and putting the product into service.

Deterioration of finisched surfaces due to use of cleaning products containing acids or abrasive substances. Deterioration of surface with finishes other than chrome plating. Their durability is, in fact, dependent on the user's care and gentleness of use.

Deterioration of the fitting due incorrect installation.

Improper repairs and maintenance performed without the company's prior authorization.

The warranty from IB Rubinetterie SpA is not renewable.

Cleaning

We recommended cleaning the finish surfaces with water and soap, using a soft cloth.

Do not use detergents that cointain hydrochloric acid or abrasive substances.

