

## Sink KE Filotop 2269 050

Sinks

Code: 2269 050



### DETAILS

Finish Foster brushed

---

Material AISI 304 stainless steel

---

Texture Foster brushed

---

Base 80 cm

---

Edge/Installation Type Flush-mount | Top-mount

---

Dimensions 770x520 mm

---

Standard fittings Fixing hooks, gasket, drain, overflow and siphon, boxed packing

---

Mixer holes 2 standard holes - 3rd hole on request

---

Built-in hole View technical data sheet (for all Flush-mount / Top-mount models and Under-mount models)

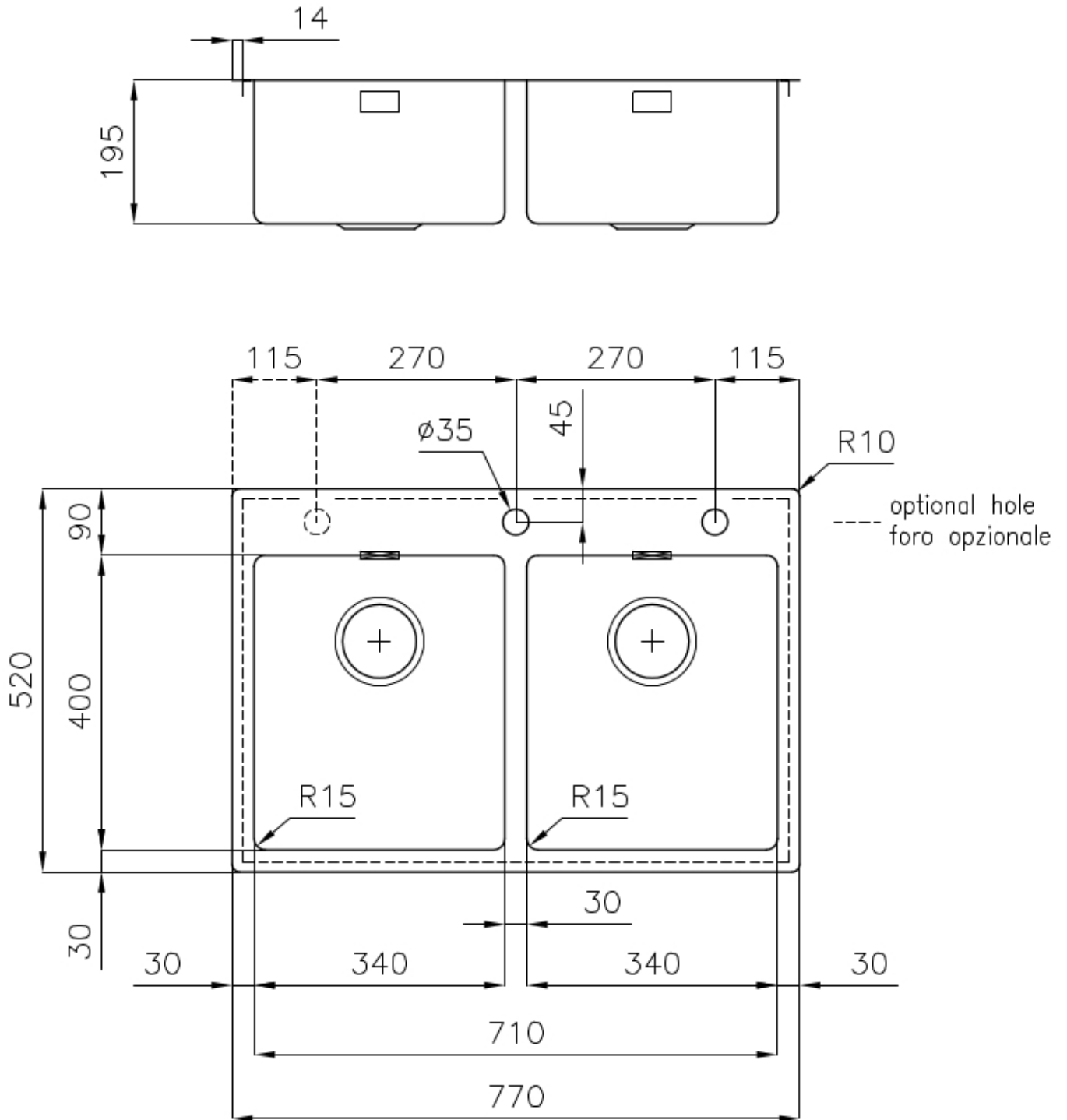
---

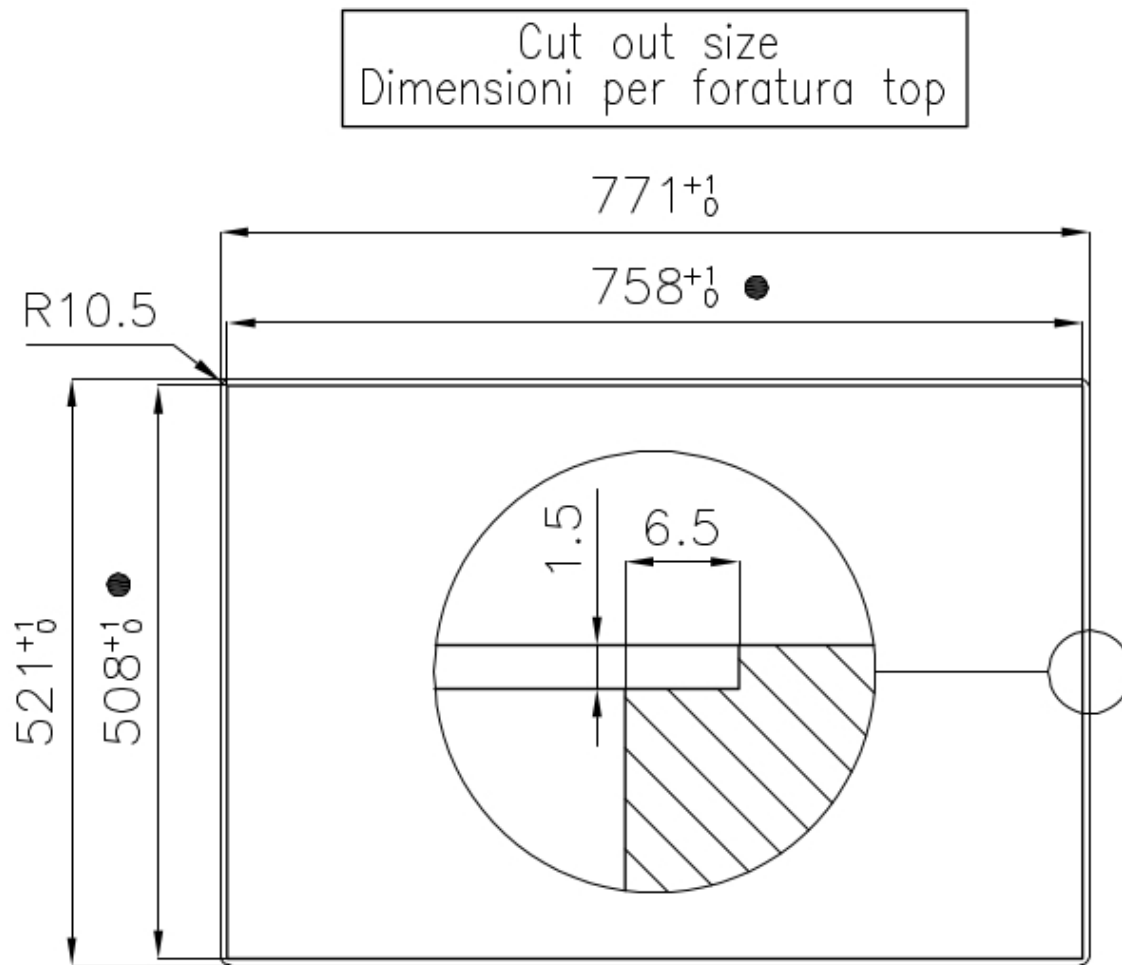
Drainer	No
Width	77 cm
Bowl dimension	340x400mm
Number of bowls	2 bowls
Waste fitting	Drain with automatic PM control

## FEATURES

Automatic waste fitting	The waste-fitting with round remote knob is supplied; a practical accessory which makes it unnecessary to get wet in order to drain the water from the bowl.
Basket 3,5" waste fitting	The drain is equipped with a large 3.5" drain, with the practical basket cap that prevents the discharge of solid parts. The 3.5 "drain allows the use of the Foster waste-disposer, compatible with all models.
Deep bowls	This bowls reach an important depth, over 20 cm, thanks to the advanced production technology, that can be offer great capiciency and practicity in all the washing operations.
Double mixer hole	The large tap counter is already fitted with a series of 2 tap holes. In the second hole it is possible to install the remote control of the automatic drain or, alternatively, a practical soap dispenser.
High thickness	1mm thick steel. A significant thickness, which guarantees the maximum sturdiness and durability.
Perimetral overflow	The overflow is always a security on the Foster sinks that prevents the overflow of water in case of oversights. The perimeter drain solution improves aesthetics thanks to its square and essential shape.
Small radius	Bowls with squared shapes with a modern design and an increased capacity, for a minimal aesthetics connected with an extreme practicity.

## TECHNICAL DATA





- Built-in cut out for FTS – Foratura per installazione FTS

## EQUIPMENT



Automatic waste fitting 8407 113

## OPTIONAL ACCESSORIES



HPDE Chopping board 8657 001



HPDE Twin chopping board 8644 101



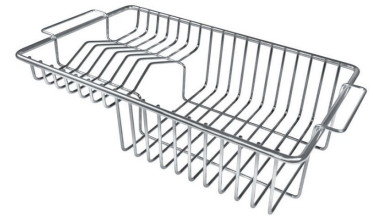
Iroko-wood chopping board with stainless steel colander 8644 042



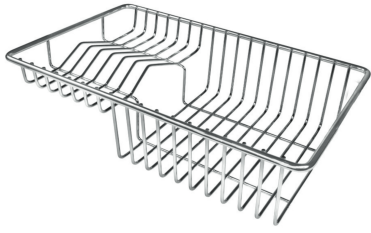
Iroko-wood sliding chopping board 8644 041



Stainless steel basket 8611 000



Stainless steel plate rack 8100 201



Stainless steel plate rack 8100 303



White bowl 8153 100



Graters kit with ring-holder and food collection tray 8159 101



Stainless steel perforated tray  
8151 000

## **WARNING:**

**The accessories 8159101, 8100303,8151000 are only usable in combination with 8644101**

## **RECOMMENDED PAIRINGS**



Mixer Tap Bert 8428 100



Mixer Tap KE 8492 000