

Collection

ONLY ONE

Article

00200

Description

Monohole washbasin mixer complete with drain.

Box Dimensions

340x180x70 mm

Weight

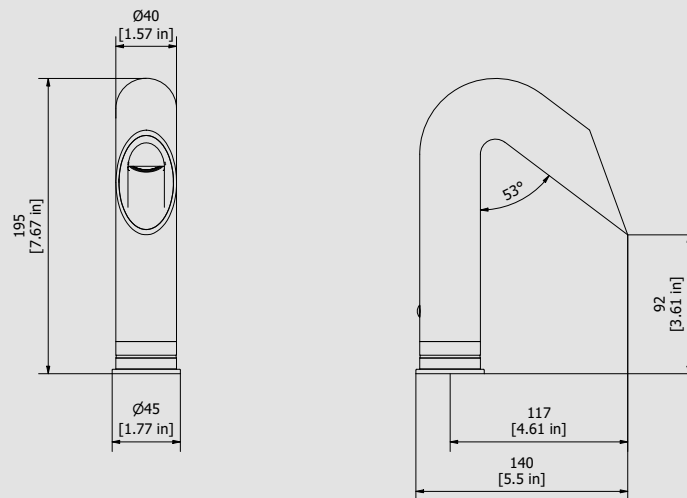
2.5 kg

Finishes

- CC**
CHROME
- PL**
PLATINUM
- SS**
BRUSHED
NICKEL
- ON**
NATURAL
BRASS
- BO**
MATT
WHITE
- NP**
MATT
BLACK
- CF**
BLACK
CHROME
- CS**
BRUSHED
BLACK
CHROME
- II**
PALE
GOLD
- IS**
BRUSHED
PALE GOLD
- RS**
ROSE
GOLD
- SR**
BRUSHED
ROSE GOLD
- 000**
GOLD
- OS**
BRUSHED
GOLD
- RR**
ANTIQUÉ
COPPER
- BB**
ANTIQUÉ
BRONZE



Dimensions



Cartridge

-

Hoses

Flex inox M10x1 G3/8" 2F L400

Aerator

-

Flow Rate (+/-10%)

| | | |
|----------------|----------------|-----------------|
| 1 BAR | 2 BAR | 3 BAR |
| 5.8 l/m | 8.4 l/m | 10.3 l/m |

Production

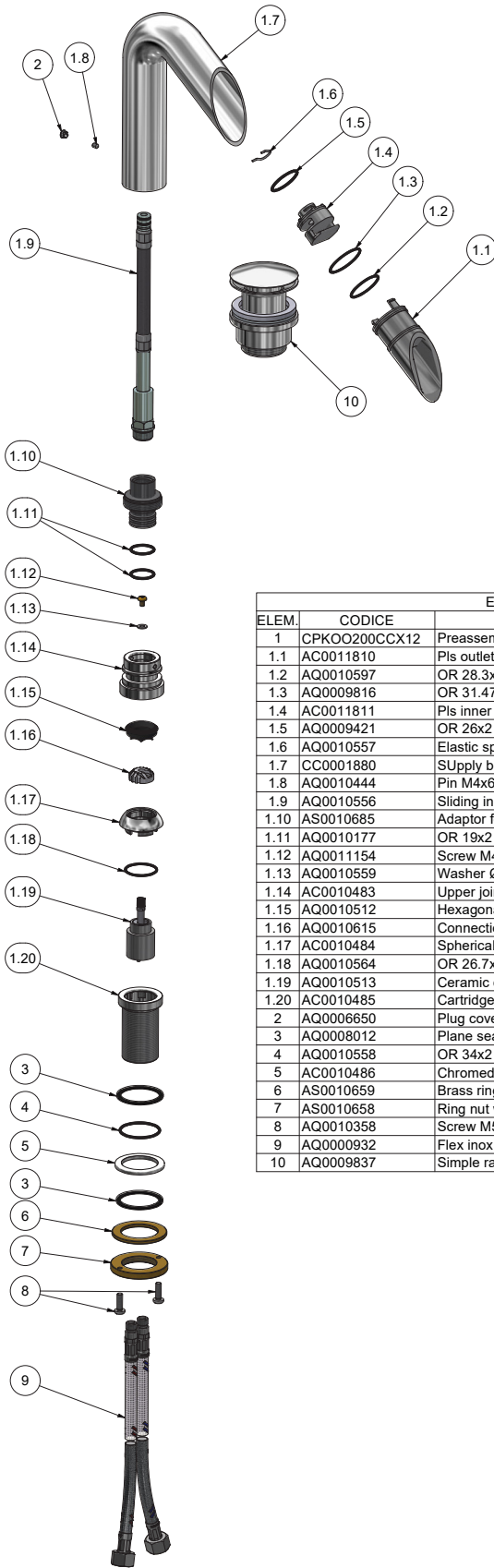
Main body is a single casted pieces.

Material

BRASS
According to CuZn35Pb2Al-B (CB752S)
Max Lead content: 1.36%



WE ARE IB



| Elenco parti | | | |
|--------------|---------------|--|-----|
| ELEM. | CODICE | NUMERO DI MAGAZZINO | QTÀ |
| 1 | CPKOO200CCX12 | Preassembled basin mixer | 1 |
| 1.1 | AC0011810 | Pls outlet OnlyOne | 1 |
| 1.2 | AQ0010597 | OR 28.3x1.78 NBR 70 SH | 1 |
| 1.3 | AQ0009816 | OR 31.47x1.78 NBR 70 SH | 1 |
| 1.4 | AC0011811 | Pls inner outlet OnlyOne | 1 |
| 1.5 | AQ0009421 | OR 26x2 NBR 70 SH | 1 |
| 1.6 | AQ0010557 | Elastic spring | 1 |
| 1.7 | CC0001880 | SUPply body | 1 |
| 1.8 | AQ0010444 | Pin M4x6 p.c. | 1 |
| 1.9 | AQ0010556 | Sliding inoxrass flrxible | 1 |
| 1.10 | AS0010685 | Adaptor for supply body | 1 |
| 1.11 | AQ0010177 | OR 19x2 NBR 70 SH | 2 |
| 1.12 | AQ0011154 | Screw M4x6 | 1 |
| 1.13 | AQ0010559 | Washer Ø4 | 1 |
| 1.14 | AC0010483 | Upper joint connction piece for spout | 1 |
| 1.15 | AQ0010512 | Hexagonal rubber packing NBR 70 | 1 |
| 1.16 | AQ0010615 | Connection piece for ceramic cartridge's rod | 1 |
| 1.17 | AC0010484 | Spherical cartridge pressing | 1 |
| 1.18 | AQ0010564 | OR 26.7x1.78 NBR 70 SH | 1 |
| 1.19 | AQ0010513 | Ceramic cartridge Ø25 | 1 |
| 1.20 | AC0010485 | Cartridge holder fixing rod | 1 |
| 2 | AQ0006650 | Plug cover Ø7 | 1 |
| 3 | AQ0008012 | Plane seal Ø42.5x35.5x2 | 2 |
| 4 | AQ0010558 | OR 34x2 NBR 70 SH | 1 |
| 5 | AC0010486 | Chromed base | 1 |
| 6 | AS0010659 | Brass ring Ø50x35.5x3 | 1 |
| 7 | AS0010658 | Ring nut with screwed holes Ø52 M33x1.5 H6 | 1 |
| 8 | AQ0010358 | Screw M5x16 | 2 |
| 9 | AQ0000932 | Flex inox M10x1 G3/8" 2F L400 | 2 |
| 10 | AQ0009837 | Simple rapid waste 1"1/4 | 1 |



WARRANTY

All IB Rubinetterie SpA products are warranted for 10 years from the date of purchase, for the following cases:

- Defects of casting, porosity and chrome plating.
- Operating defects caused by incorrect fabrication.

The warranty provides for repair or replacement of products with fabrication defects recognized by our technical office. There is no other type of compensation anche the merchandise must be returned FOB our warehouse. The warranty only cover surface defects (scatches, dings, etc.) on fitting that have not been installed and used, returned in its original packaging with all components. O-ring, gasket seals and components subject to wear proportional to use are warranted for 2 years.

The warranty is void in the following cases:

Error installing and putting the product into service.

Deterioration of finished surfaces due to use of cleaning products containing acids or abrasive substances. Deterioration of surface with finishes other than chrome plating. Their durability is, in fact, dependent on the user's care and gentleness of use.

Deterioration of the fitting due incorrect installation.

Improper repairs and maintenance performed without the company's prior authorization.

The warranty from IB Rubinetterie SpA is not renewable.

Cleaning

We recommended cleaning the finish surfaces with water and soap, using a soft cloth.

Do not use detergents that contain hydrochloric acid or abrasive substances.

