

UNIVERSAL

GUDV14

Universal Two Way Diverter Valve for Thermostatic Shower Systems



SHOWN IN UNIVERSAL TWO WAY DIVERTER VALVE FOR THERMOSTATIC SHOWER SYSTEMS| GUDV14

TECHNICAL DETAILS

Fittings Hole Diameter: 2 1/2"
Handle Turn Angle: Quarter Turn Each Way
Depth / Width: 6 1/2"
Height: 3 13/16"
Inlet Connection Size: 3/4"
Inlet Connection Type: Female NPT
Length: 3"
Outlet Connection Size: 1/2"
Outlet Connection Type: Female NPT
Primary Material: Brass
Suggested Application: Bath
Valve Material: Ceramic
Water Pressure Maximum: 85.0 psi
Water Pressure Minimum: 20.0 psi
Water Pressure Recommended: 45.0 psi

INSPIRATION

Our Universal collection features timeless designs complementing any of our Waterworks. With a wide range of product, from fittings to accessories, Universal adds exquisite proportion and balance to any environment.

CODES & STANDARDS

Code # GUSV14: Complies with ASME A112.18.1/CSA B125. Certified with the State of MA, NSF

PRODUCT FEATURES

For use with Waterworks Thermostatic system 2-way diverter valve trims
3/4" NPT female inlet and 1/2" NPT female outlet with quarter turn functionality
14 gpm unrestricted maximum flow at 45 psi
Made of brass materials



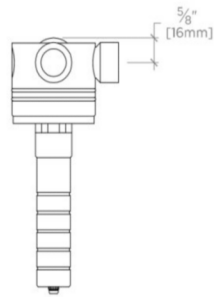
WATERWORKS

UNIVERSAL

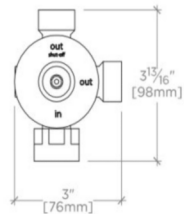
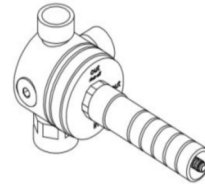
GUDV14

Universal Two Way Diverter Valve for Thermostatic Shower Systems

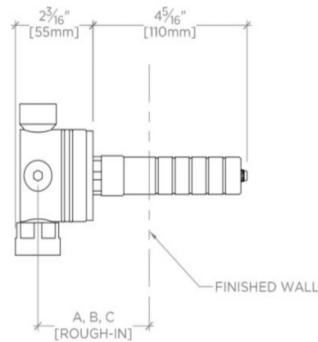
TRIM STYLE	ROUGH-IN DEPTH CHART					
	A		B		C	
	Paired w/ GUTH37	Paired w/ GUTH56	Paired w/ GUTH78	Paired w/ GUTH78	Paired w/ GUTH78	Paired w/ GUTH78
	MIN	MAX	MIN	MAX	MIN	MAX
.25	3 1/8	4 1/8	3 1/4	4 1/4	3 1/8	4 1/8
Flyte						
Opus						
R.W. Atlas						
Formwork	3 1/8	4 3/4				
Henry	2 7/8	4 1/8				
All Other Trims	2 1/2	4 1/8				



TOP VIEW SCALE: 3"=1'-0"



FRONT VIEW SCALE: 3"=1'-0"



SIDE VIEW SCALE: 3"=1'-0"