

UNIVERSAL

GUDV65

Universal Three Way Diverter Valve for Pressure Balance Shower Systems



SHOWN IN UNIVERSAL THREE WAY DIVERTER VALVE FOR PRESSURE BALANCE SHOWER SYSTEMS| GUDV65

TECHNICAL DETAILS

Fittings Hole Diameter: 2 1/2"
Handle Turn Angle: Quarter Turn Each Way
Depth / Width: 6 3/8"
Height: 3 5/8"
Inlet Connection Size: 1/2"
Inlet Connection Type: Female NPT
Length: 3 5/8"
Outlet Connection Size: 1/2"
Outlet Connection Type: Female NPT
Primary Material: Brass
Suggested Application: Bath
Valve Material: Ceramic
Water Pressure Maximum: 85.0 psi
Water Pressure Minimum: 20.0 psi
Water Pressure Recommended: 45.0 psi

INSPIRATION

Our Universal collection features timeless designs complementing any of our Waterworks. With a wide range of product, from fittings to accessories, Universal adds exquisite proportion and balance to any environment.

CODES & STANDARDS

Code # GUSV65: Complies with ASME A112.18.1/CSA B125.

PRODUCT FEATURES

For use with Waterworks Pressure Balance system 3-way diverter valve trims
1/2" NPT female inlet and outlet with quarter turn functionality
16.9 gpm unrestricted maximum flow at 45 psi
Made of brass materials



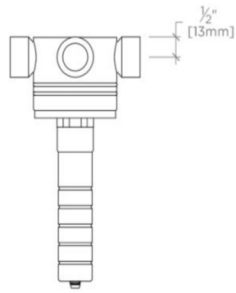
WATERWORKS

UNIVERSAL

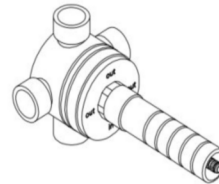
GUDV65

Universal Three Way Diverter Valve for Pressure Balance Shower Systems

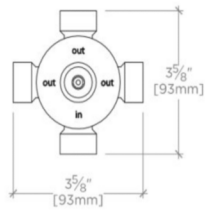
ROUGH-IN DEPTH CHART		
TRIM STYLE	A	
	MIN	MAX
.25	3 1/8	3 5/8
Flyte	3 1/8	3 5/8
Formwork	3	3 3/8
Henry	3 1/8	3 5/8
Ludlow	2 7/8	3 5/8
Opus	3 1/8	3 5/8
R.W. Atlas	3 1/8	3 5/8
All Other Trims	2 5/8	3 5/8



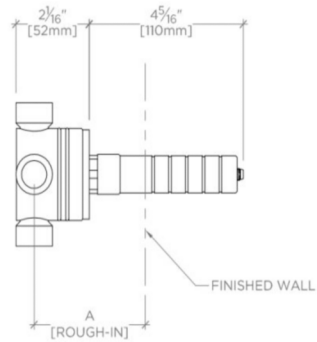
TOP VIEW SCALE: 3"=1'-0"



ISO VIEW SCALE: 3"=1'-0"



FRONT VIEW SCALE: 3"=1'-0"



SIDE VIEW SCALE: 3"=1'-0"