

## UNIVERSAL

## GUDV66

Universal Three Way Diverter Valve for Thermostatic Shower Systems



SHOWN IN UNIVERSAL THREE WAY DIVERTER VALVE FOR THERMOSTATIC SHOWER SYSTEMS| GUDV66

### TECHNICAL DETAILS

Fittings Hole Diameter: 2 1/2"  
Handle Turn Angle: Quarter Turn Each Way  
Depth / Width: 6 1/2"  
Height: 3 13/16"  
Inlet Connection Size: 3/4"  
Inlet Connection Type: Female NPT  
Length: 3 5/8"  
Outlet Connection Size: 1/2"  
Outlet Connection Type: Female NPT  
Primary Material: Brass  
Suggested Application: Bath  
Valve Material: Ceramic  
Water Pressure Maximum: 85.0 psi  
Water Pressure Minimum: 20.0 psi  
Water Pressure Recommended: 45.0 psi

### INSPIRATION

Our Universal collection features timeless designs complementing any of our Waterworks. With a wide range of product, from fittings to accessories, Universal adds exquisite proportion and balance to any environment.

### CODES & STANDARDS

Code # GUSV66: Complies with ASME A112.18.1/CSA B125, State of MA, NSF

### PRODUCT FEATURES

For use with Waterworks Thermostatic system 3-way diverter valve trims  
3/4" NPT female inlet and 1/2" female outlet with quarter turn functionality  
16.9 gpm unrestricted maximum flow at 45 psi  
Made of brass materials



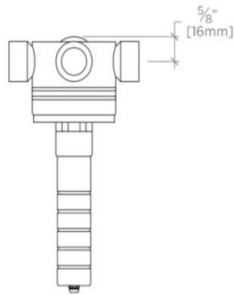
# WATERWORKS

## UNIVERSAL

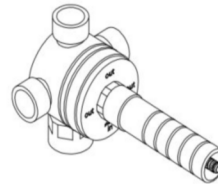
## GUDV66

Universal Three Way Diverter Valve for Thermostatic Shower Systems

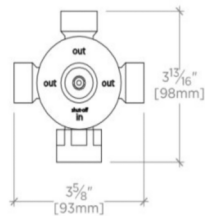
TRIM STYLE	ROUGH-IN DEPTH CHART					
	A		B		C	
	Paired w/ GUTH37	Paired w/ GUTH56	Paired w/ GUTH78	Paired w/ GUTH78	Paired w/ GUTH78	Paired w/ GUTH78
	MIN	MAX	MIN	MAX	MIN	MAX
.25	3 1/8	4 1/8	3 1/4	4 1/4	3 1/8	4 1/8
Flyte						
Opus						
R.W. Atlas						
Formwork	3 1/8	4 3/4				
Henry	2 7/8	4 1/8				
All Other Trims	2 1/2	4 1/8				



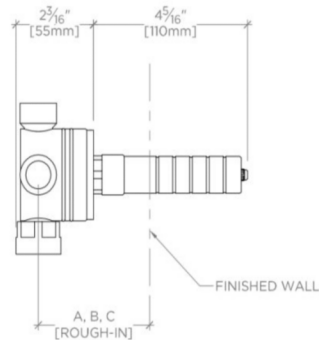
TOP VIEW SCALE: 3"=1'-0"



ISO VIEW SCALE: 3"=1'-0"



FRONT VIEW SCALE: 3"=1'-0"



SIDE VIEW SCALE: 3"=1'-0"