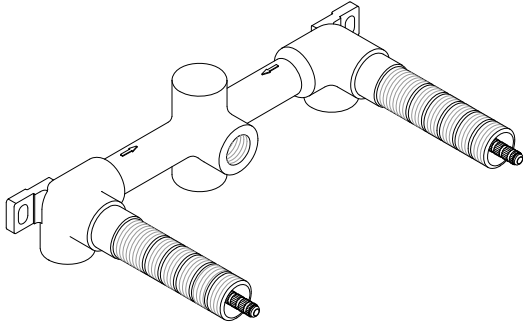


GUSV25R-LL: used with lever handle lavatory faucets
GUSV27R-LL: used with cross handle lavatory faucets



SPECIFICATIONS:

Fittings Hole Diameter: 1 $\frac{1}{8}$ "
Handle Spread: 8" (NOT ADJUSTABLE)
Handle Turn Angle: Quarter Turn
Inlet Connection Size: $\frac{1}{2}$ "
Inlet Connection Type: Female NPT
Maximum Water Pressure: 80 psi
Minimum Water Pressure: 20 psi
Outlet Connection Size: $\frac{1}{2}$ "
Outlet Connection Type: Female NPT
Recommended Water Pressure: 45 psi
Unrestricted Maximum Flow at 45 psi: 6gpm
Valve Material: Ceramic

IMPORTANT:

- To ensure this product is installed properly, you must read and follow these guidelines.
- The owner/user of this product must keep this information for future reference.
- Handles and spout sold separately.
- The difference between the GUSV25R-LL and the GUSV27R-LL is the cold cartridge function which opens clockwise on the 25R-LL and counter clockwise on the 27R-LL.
- This product must be installed by a professional licensed contractor.
- This product must be on-site prior to rough-in. This allows the installer to visualize the installation and match the 8" center spread.
- Be sure your installation conforms to all federal, state, and local codes.
- Check countertop and sink measurements to assure the spout project far enough into the sink.

- Refer to the specification and assembly drawings attached. Product is sold partially assembled but shown fully disassembled for illustrative and service purposes only.
- Inspect this product to ensure you have all parts required for proper installation.

ROUGH IN:

- Rough in Depth: 3 $\frac{1}{4}$ " minimum from center of the inlets to surface of finished wall.
- Rough in Height: Must allow for a minimum 1 $\frac{1}{2}$ " air gap for spout installation and allow for handle clearance in the open position.

1. Run $\frac{1}{2}$ " hot and cold supply lines. The spread between supplies is 8" on center and is NOT adjustable.
 2. Pre-solder $\frac{1}{2}$ " male NPT adapter prior to threading into the valve body (1).
 3. Thread the adapters into the valve and attach to the supplies using $\frac{1}{2}$ " couplings.
 4. Verify the supplies are secure, level, and at the proper spread of 8" and equals depths prior to making final solder connections.
 5. Install a $\frac{1}{2}$ " NPT nipple (not supplied) to temporarily serve as a spout.
 6. Verify the supplies and valve body (1) are secure then turn on the supplies and check for leaks.
- If further assistance is required, please contact Product Support at 1-800-927-2120 Ext. 3 (9am-6pm EST).

These guidelines have been prepared for the professional contractor to aid in the installation of:
UNIVERSAL LAVATORY WALL MOUNTED ROUGH VALVE (GUSV25R-LL & GUSV27R-LL).
All dimensions are based on origin specification and are subject to change and variation.
Please consult your Design Associate for current specifications.

WATERWORKS

GUSV25R-LL (used with lever handle lavatory faucet)

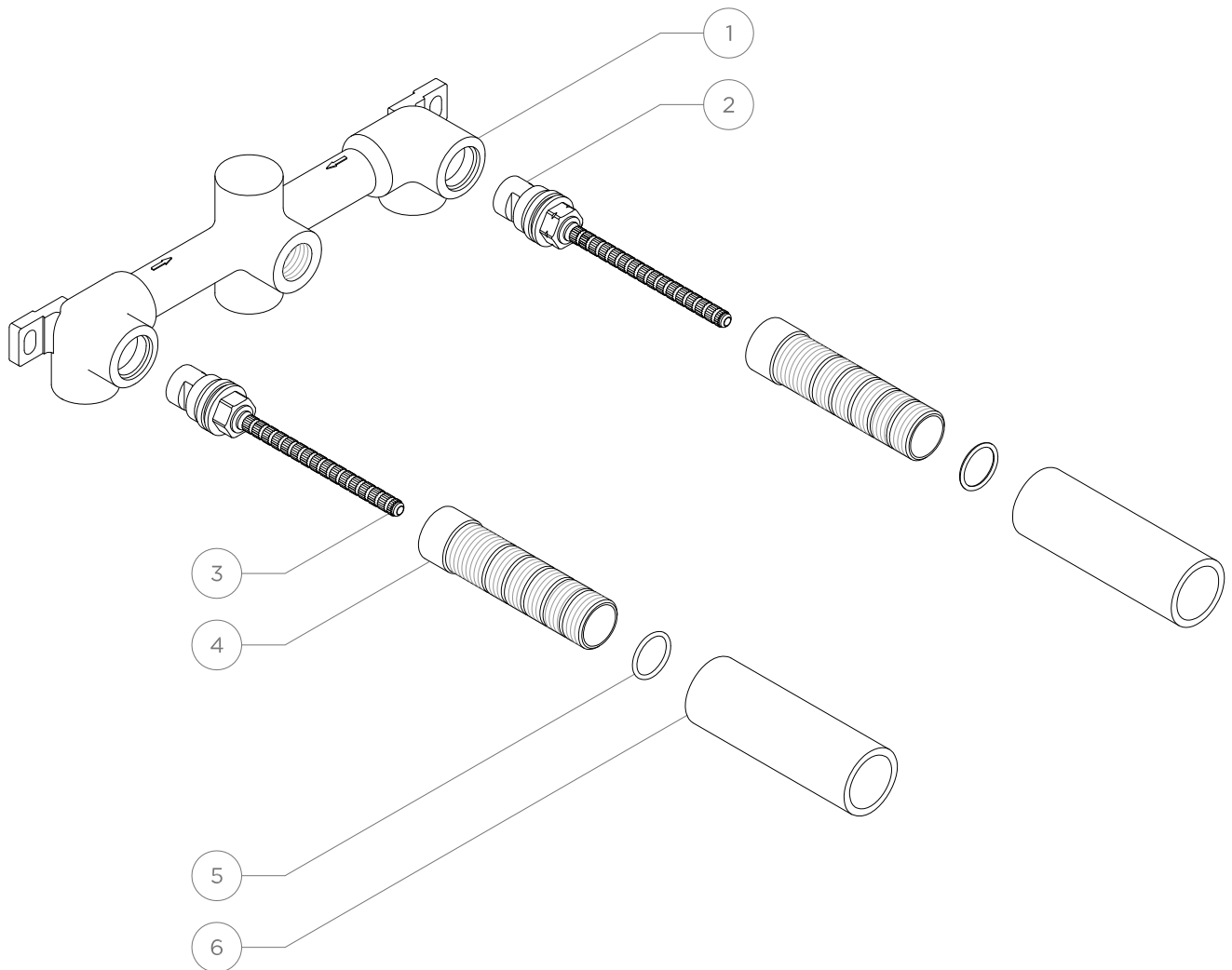
ITEM NO.	DESCRIPTION	QTY.
2	Cartridge, Shut-off Valve, CCW Close	1
3	Cartridge, Shut-off Valve, CW Close	1

GUSV27R-LL (used with cross handle lavatory faucet)

3	Cartridge, Shut-off Valve, CW Close	2
---	-------------------------------------	---

COMMON PARTS

1	Valve Body	1
4	Threaded Tube	2
5	O-Ring	2
6	Tile Guard	2



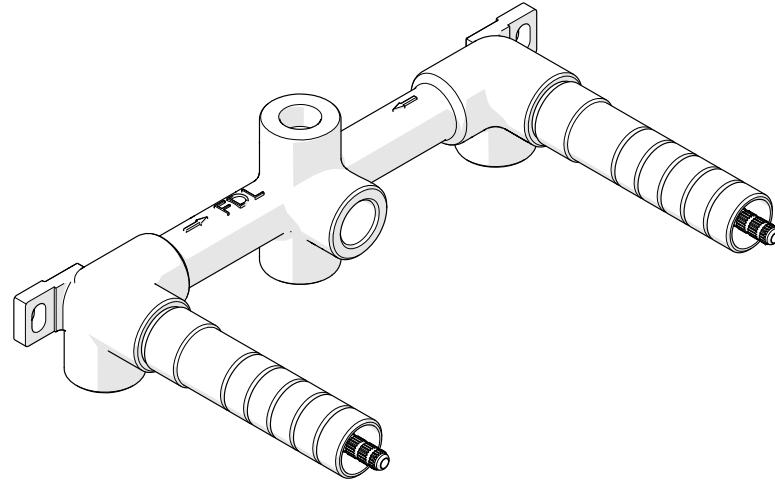
These guidelines have been prepared for the professional contractor to aid in the installation of:
UNIVERSAL LAVATORY WALL MOUNTED ROUGH VALVE (GUSV25R-LL & GUSV27R-LL).
All dimensions are based on origin specification and are subject to change and variation.
Please consult your Design Associate for current specifications.

WATERWORKS



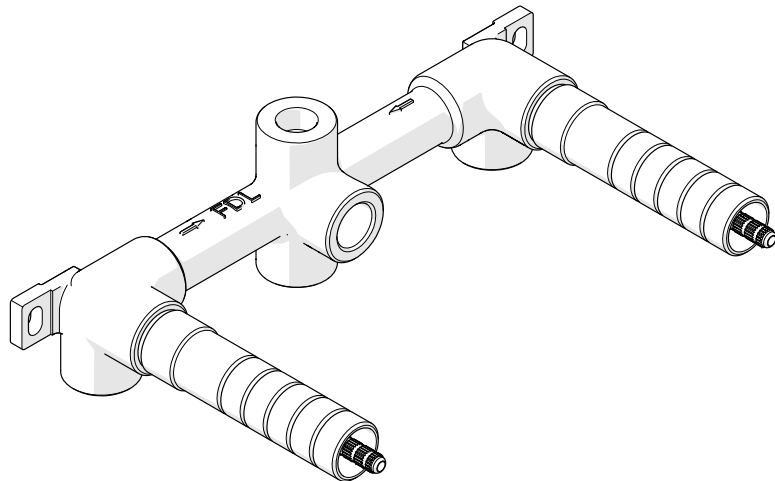
ESTB. 1978

WATERWORKS SERVICE PARTS



STYLE GULV25

Universal Lavatory Wall Mounted Rough Valve (Used with Lever Handle Lavatory Faucets)
Complies with 0.25% WALC



STYLE GULV27

Universal Lavatory Wall Mounted Rough Valve (Used with Cross or Wheel Handle Lavatory
Faucets) Complies with 0.25% WALC

WELCOME TO

WATERWORKS

For over three decades, Waterworks has transformed the bath through an absolute commitment to design authenticity, innovation and quality. A blend of scholarly appreciation and applied experience guarantees mechanical integrity, meticulous craftsmanship, and timeless designs.

**TO ORDER PARTS CALL
1 (800) 927-2120 (EXT 2)**

Order by part number and specify color, finish, or other options if required.

PRODUCT SUPPORT

Our Product Support team provides troubleshooting and technical problem resolution, including replacement parts and installation recommendations throughout the life of your product.

Product Support is available Monday through Friday, 8AM-6PM EST.

**LIMITED LIFETIME
WARRANTY**

Our warranty covers repair and replacement of Waterworks products if within the applicable coverage period and deemed defective by Waterworks. Waterworks will, at its option, repair or replace such products; this does not include installation costs, labor charges, or other incidental or consequential costs.

To obtain your complete warranty or inquire about warranty service, please visit us at www.waterworks.com or contact our Product Support Team.



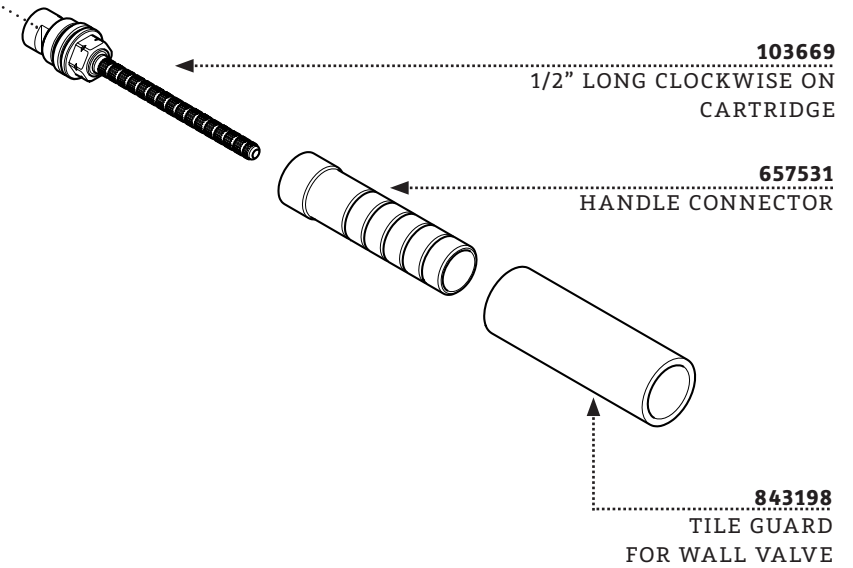
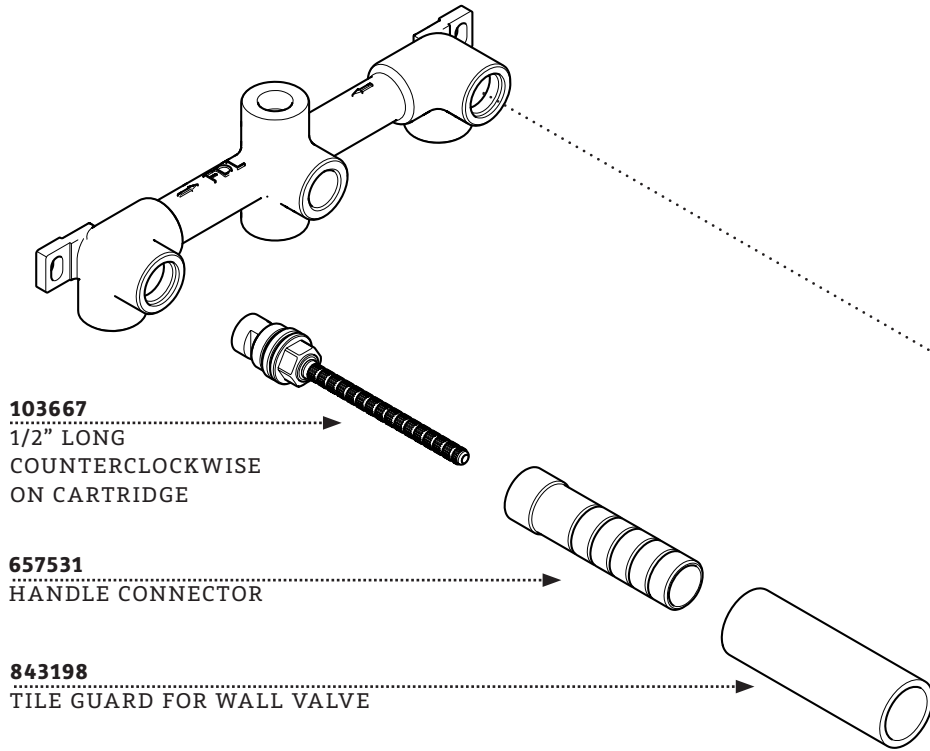
ESTB. 1978

WATERWORKS

MAIN KITS

STYLES: GULV25, GULV27

*FINISH/COLOR MUST BE SPECIFIED WHEN ORDERING
++SUPPLIED AS A PAIR





ESTB. 1978

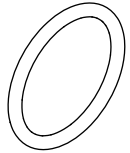
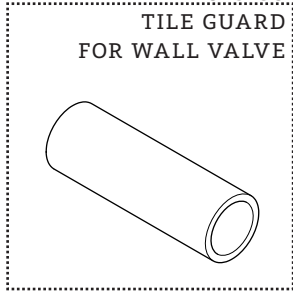
WATERWORKS

KIT COMPONENTS

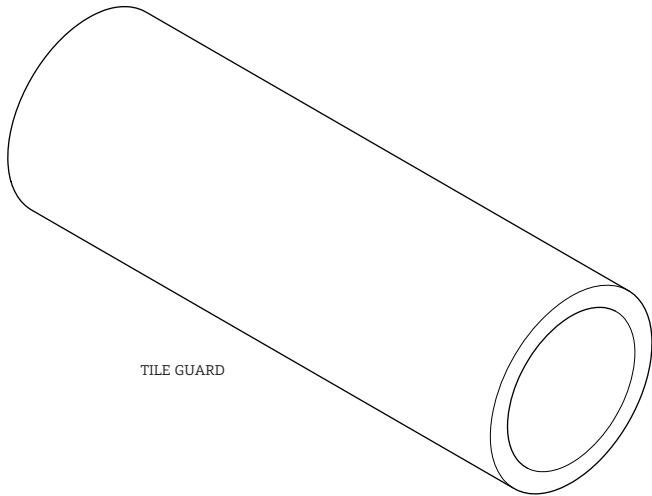
STYLES: GULV25, GULV27

843198

TILE GUARD
FOR WALL VALVE



O-RING



TILE GUARD

*FINISH/COLOR MUST BE SPECIFIED WHEN ORDERING
++SUPPLIED AS A PAIR

SERVICE PARTS INDEX

<u>STYLE</u>	<u>DESCRIPTION</u>	<u>PG</u>
103669	1/2" LONG CLOCKWISE ON CARTRIDGE	3
103667	1/2" LONG COUNTERCLOCKWISE ON CARTRIDGE	2
657531	HANDLE CONNECTOR	2
843198	TILE GUARD FOR WALL VALVE	4

DOCUMENT: SPGU11_REV01



ESTB. 1978

WATERWORKS

PRODUCT SUPPORT

60 BACKUS AVENUE
DANBURY, CT 06810

1 (800) 927-2120 (EXT 2)

WWW.WATERWORKS.COM