

Anti-bacterial push open waste

QTOO collection

d line

PRODUCT DATA SHEET

ITEM NUMBER

QA1150M
QA1150P

SURFACE

Brushed stainless steel
Polished stainless steel

PRODUCT

Waste push open in marine grade stainless steel

PICTURE



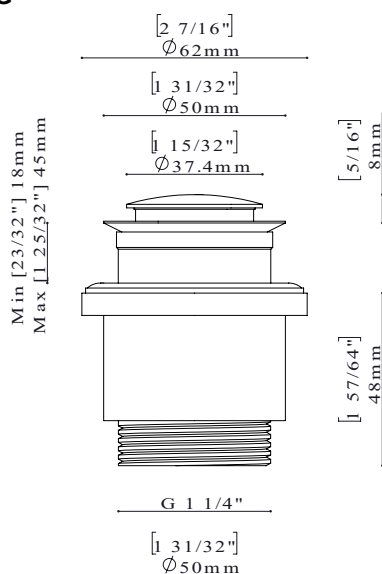
TENDER TEXT

Waste push open in marine grade stainless steel with easy to clean and anti bacterial features. Easy to install and conform to EU standard.

PRODUCT SPECIFICATION

Universal for with and without overflow
Range 18-45mm
Anti bacterial
Easyclean
Marine grade stainless steel AISI316

DRAWING



SPARE PARTS / ACCESSORIES:

PRODUCT CARE

d line products are produced in the highest quality stainless steel, marine grade, AISI 316. To sustain the unique d line finish appearance please follow the below instructions:

- Wash down the surfaces using soapy water or mild detergent
- Always thoroughly rinse off with clean water
- To complete the cleaning procedure dry/polish the surfaces with a soft dry cloth

Please do not use scouring powder, steel wool, chloride based detergents or other aggressive cleaning products as these may damage the surface.

If spots or corrosion appear on the surface it is not due to the stainless steel quality, but to impurities in the environment, aggressive conditions or improper or insufficient cleaning.

Link to our maintenance guide: <https://dline.com/maintenance/>