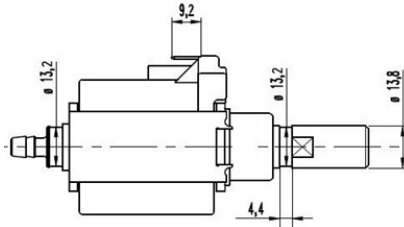
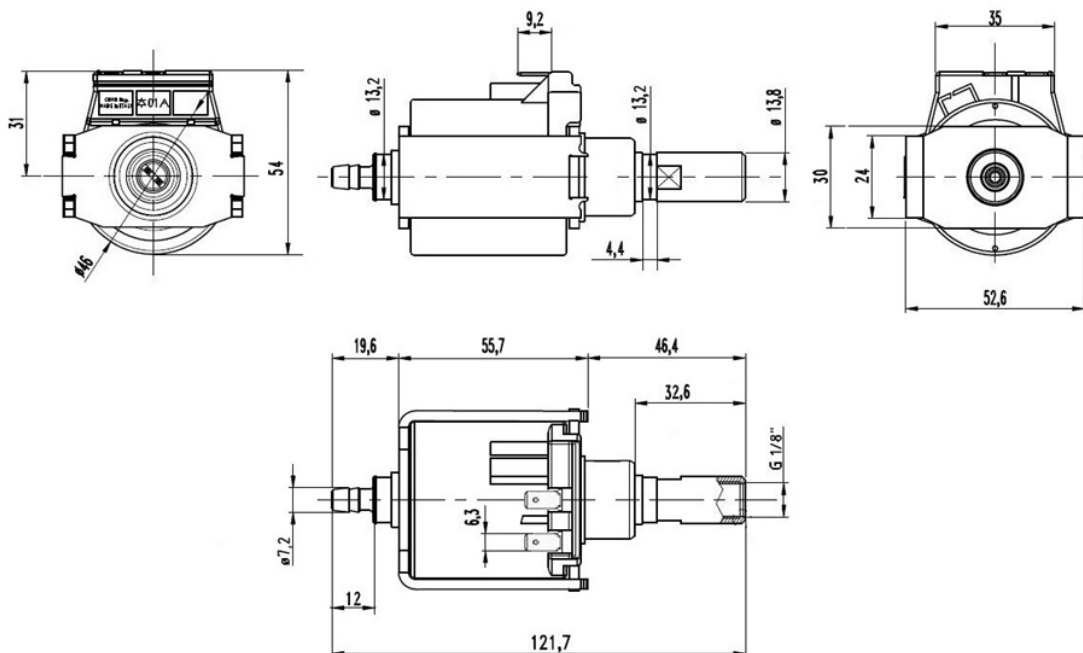


## Family pump E500 - HIGH pressure

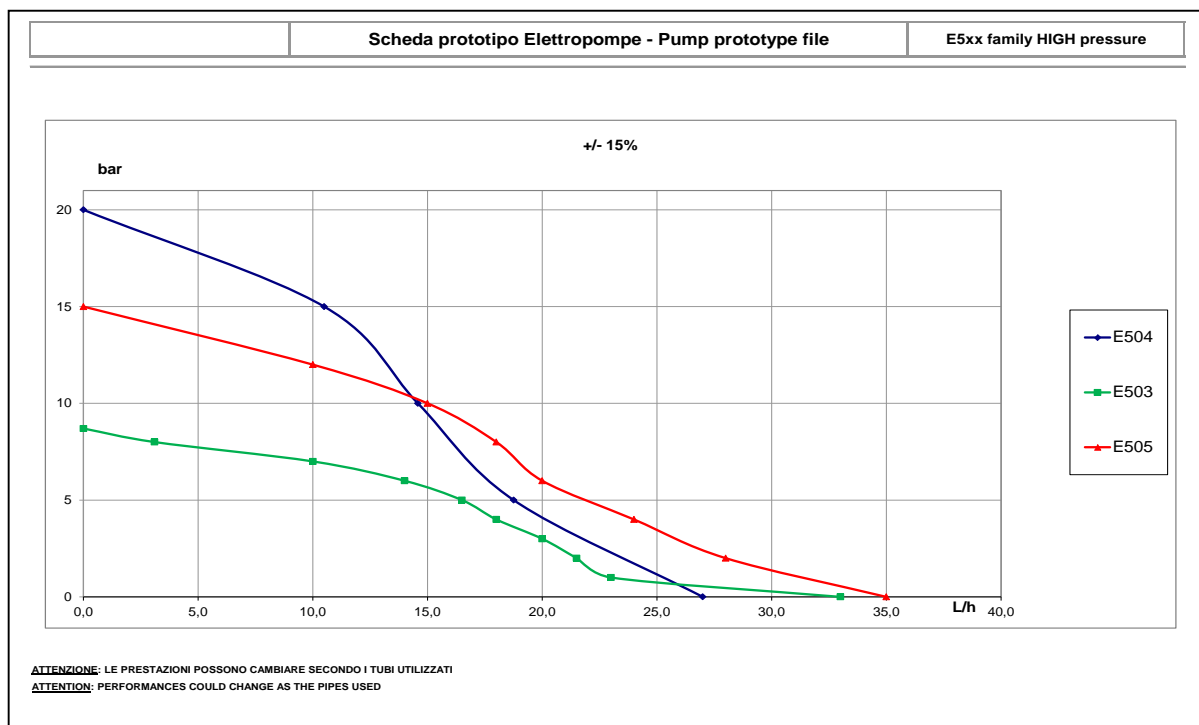


- Class: see the table below
- Electrical insulation, class II
- ED: see the table below
- Diode integrated except for 12-24V

		<b>Technical data</b>	
	Body material		PA66 + PPS
	Seal material		EPDM
	Piston material		Stainless steel
	Electrical connect		6,3 x 0,8 fast-on terminal
	Insulation class		F/A
	Suction power		100mbar



Pump model					
model	Voltage	ON/OFF	Coil power	Class	certificates
E503	230V/50Hz	ED 100%	32W	F	VDE
E503, E504, E505	230V/50Hz	2/1	46W	F	VDE
E503	120V/60Hz	1/2	32W	A	UL
E504,E505	120V/60Hz	1/2	46W	A	UL
E505	12V/50Hz	2/1	46W	F	CE
E505	24V/50Hz	2/1	46W	F	CE



### NOTE / NOTES

*“Tutte le tipologie di pompe sono progettate e verificate utilizzando come fluido l’acqua. Sconsigliamo stoccaggi lunghi e/o temperature di magazzino elevate soprattutto con pompe prive di acqua all’interno: in questi casi vi suggeriamo di contattare il nostro ufficio tecnico per consigli in proposito ad evitare malfunzionamenti delle pompe.”*

*“All types of pumps are designed and tested using water as the fluid. We do not recommend stocks long and/ or high storage temperatures above pump without water inside: in these cases we suggest that you contact the technical department for advice in this regard to prevent malfunction of the pump.”*