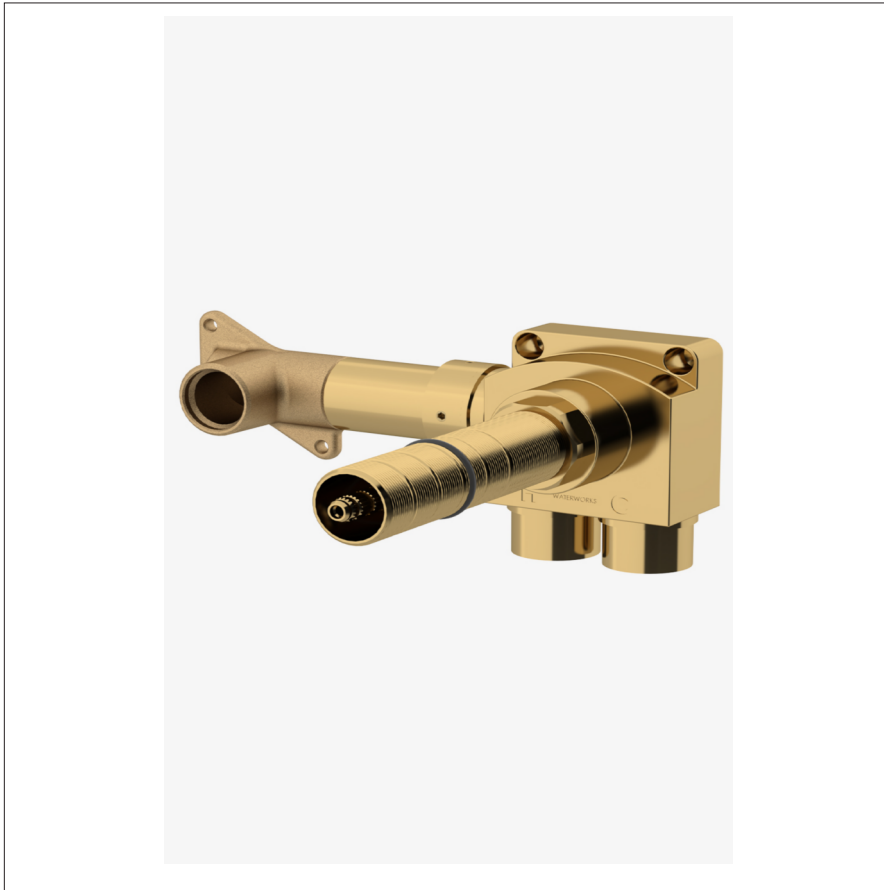


UNIVERSAL

GULV29

Universal Lavatory Wall Mounted Rough for Single Handle



TECHNICAL DETAILS

Control Valve Rough-in Depth Maximum: 5 1/4"
Control Valve Rough-in Depth Minimum: 2 3/4"
Fittings Hole Diameter: 1 3/8"
Handle Turn Angle: Quarter Turn
Inlet Connection Size: 1/2"
Inlet Connection Type: Female NPT
Outlet Connection Size: 1/2"
Outlet Connection Type: Female NPT
Primary Material: Brass
Valve Material: Ceramic
Water Pressure Maximum: 85.0 psi
Water Pressure Minimum: 20.0 psi
Water Pressure Recommended: 45.0 psi

INSPIRATION

Our Universal collection features timeless designs complementing any of our Waterworks. With a wide range of product, from fittings to accessories, Universal adds exquisite proportion and balance to any environment.

PRODUCT FEATURES

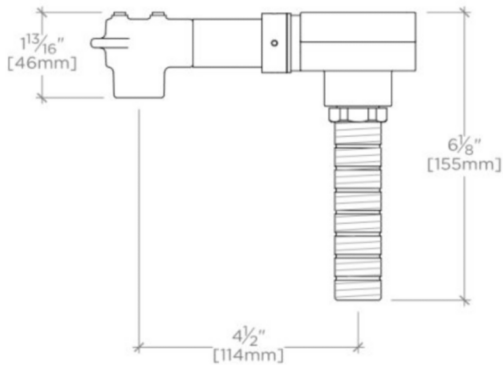
Single handle progressive rough features 90 degree rotation from Off, Cold, Mixed through Hot.
Tactile feedback is felt at Full Cold and Equal Mix of Hot and Cold
Includes International Threading Adapters
Complies with 0.25% Weighted Average Lead Content (WALC).

WATERWORKS

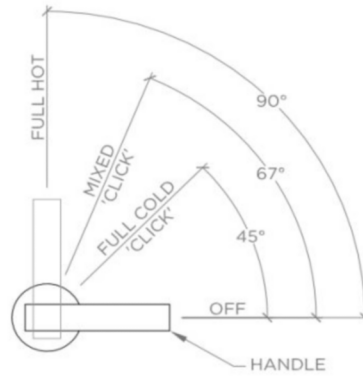
UNIVERSAL

GULV29

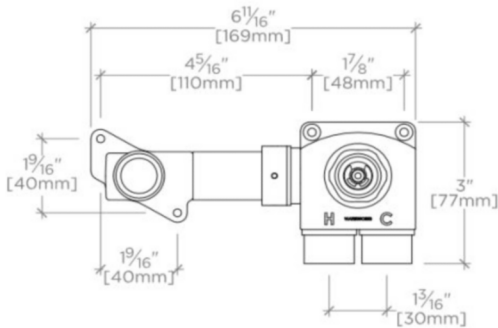
Universal Lavatory Wall Mounted Rough for Single Handle



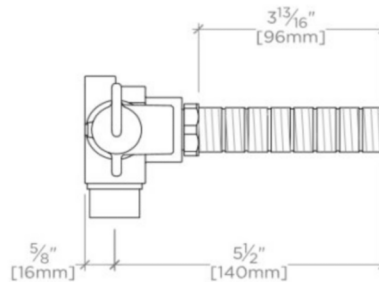
TOP VIEW SCALE: 3"=1'-0"



VALVE OPERATION

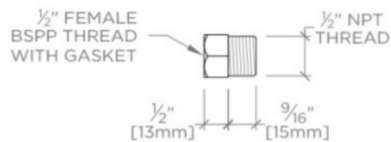


FRONT VIEW SCALE: 3"=1'-0"



SIDE VIEW SCALE: 3"=1'-0"

† 3 ADAPTERS SUPPLIED
INTERNATIONAL USE ONLY



BSPP ADAPTER † NOT TO SCALE