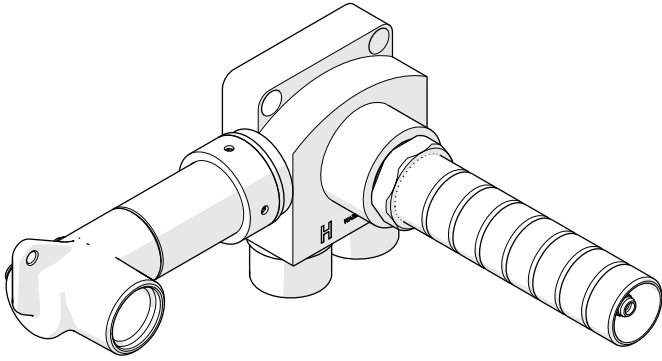


WATERWORKS INSTALLATION GUIDELINES

STYLE NO. GULV29



IMPORTANT:

- To ensure this VALVE is installed properly, you must read and follow these guidelines.
- The owner/user of this VALVE must keep this information for future reference.
- This VALVE and associated LAVATORY FAUCET (SOLD SEPARATELY) must be installed by a professional licensed contractor and must be onsite prior to rough-in. This allows the installer to visualize the installation.
- This VALVE is sold partially assembled but shown fully disassembled for illustrative and service purposes only. Inspect the VALVE to ensure you have all the parts required for proper installation.
- Check countertop and sink measurements to assure the FAUCET projects far enough into the sink.
- Be sure your installation conforms to all federal, state, and local codes. In the State of Massachusetts, all installations must comply with the rules and regulations set forth within 248 CMR.
- Use only a strap wrench or protected/smooth-jaw wrench on any finished surface.
- The use of certain plumber's putty may stain stone or tile surfaces.
- If further assistance is required, please contact Product Support at 1-800-927-2120 Monday through Friday, 8am - 6pm EST.
- Refer to the separate Service Parts Documents for available replacement parts.

STYLE No. GULV29

Universal Lavatory Wall Mounted Rough for Single Handle

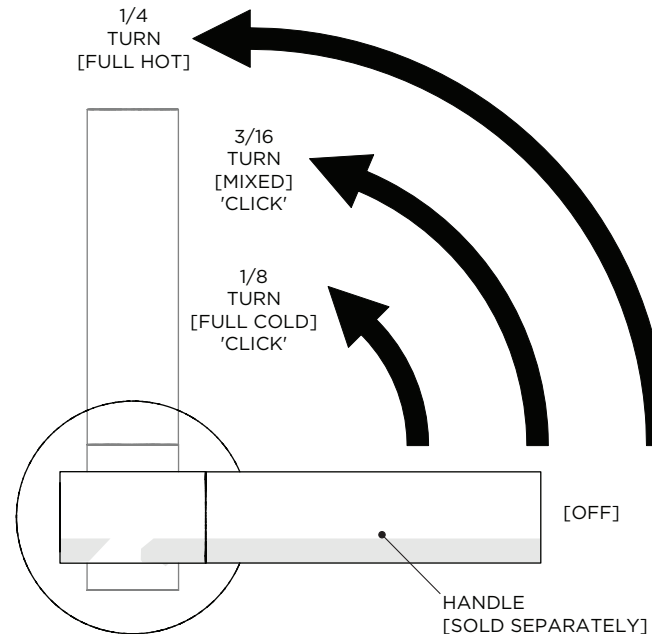
TECHNICAL DETAILS:

DETAIL	SPECIFICATION
INLET/OUTLET CONNECTION	1/2" FEMALE NPT †
WATER PRESSURE MAXIMUM	85psi [6.0 bar]
WATER PRESSURE MINIMUM	20psi [1.5 bar]
WATER PRESSURE RECOMMENDED	45psi [3.0 bar]

† For **INTERNATIONAL USE ONLY**, 1/2" NPT MALE x 1/2" FEMALE BSPP ADAPTERS are provided.

HANDLE OPERATION:

- This VALVE is equipped with a PROGRESSIVE MIXING CARTRIDGE which incorporates tactile feedback.
 - The user will feel slight haptic bumps as they operate the HANDLE (sold separately).
 - These bumps indicate when the VALVE is at full cold and warm water temperatures
- The HANDLE rotates a 1/4 turn counterclockwise through cold, warm, and hot water temperatures as shown below.

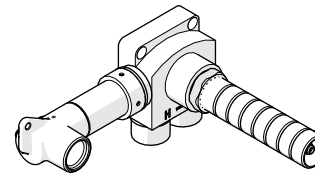


WATERWORKS

INSTALLATION GUIDELINES

STYLE No. GULV29

Universal Lavatory Wall Mounted Rough for Single Handle

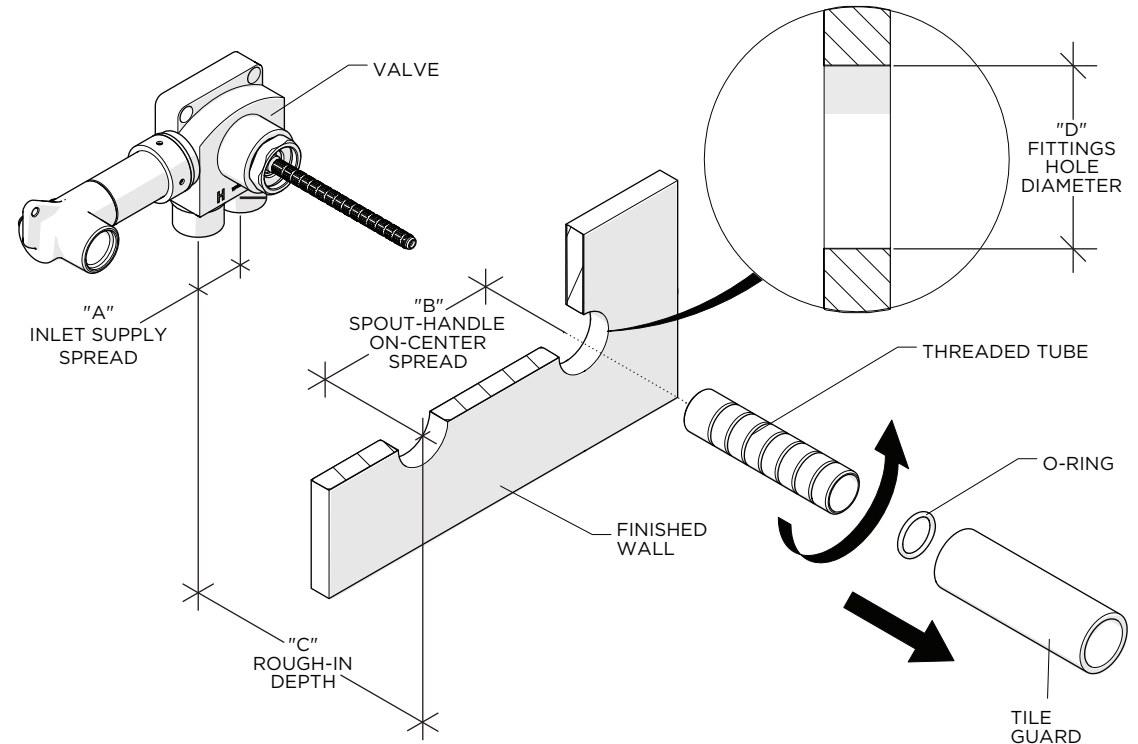


ROUGH-IN AND VALVE PREPARATION:

- Run well supported 1/2" hot and cold copper supply lines.
- **WARNING:** The inlet supply spread of this product is **NOT ADJUSTABLE!**
- **ROUGH-IN DEPTH:** The rough-in depth is measured from the centerline of the inlets to the surface of the finished wall and **VARIES** depending on the TRIM (sold separately) being used.
- Refer to the Installation Guidelines of the specific TRIM being used for the **MAXIMUM** and **MINIMUM** rough-in depth dimensions.
- **ROUGH-IN HEIGHT:** The rough-in height must allow for a **MINIMUM** of 1-1/2" [38mm] air gap between the end of the SPOUT and COUNTERTOP and also provide the **HANDLE** enough clearance to fully open. This will vary depending on the TRIM being used and the **VALVE** orientation.
- This **VALVE** can be roughed-in horizontally with the **HANDLE** on the right or left side and vertically with the **HANDLE** above.

DIM	VALUE
A	1-3/16" [30mm] [NOT ADJUSTABLE]
B	4-1/2" [114mm]
C	*VARIES DEPENDING ON TRIM BEING USED*
D	Ø1-3/8" [35mm]

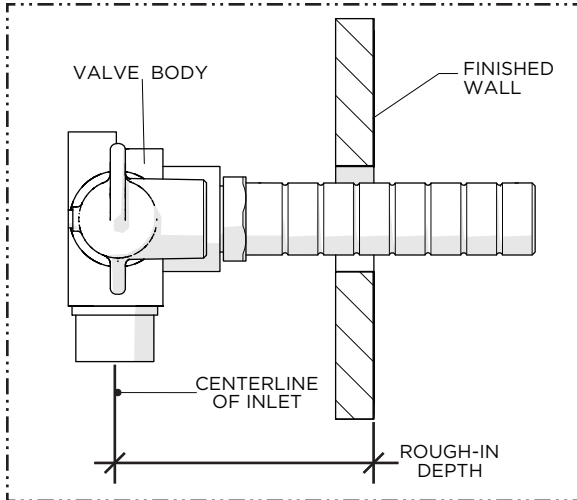
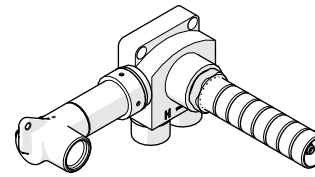
OPTION	VALVE ORIENTATION	SPOUT POSITION AND HANDLE OPERATION
1 [RECOMMENDED]		
2		
3		



WATERWORKS INSTALLATION GUIDELINES

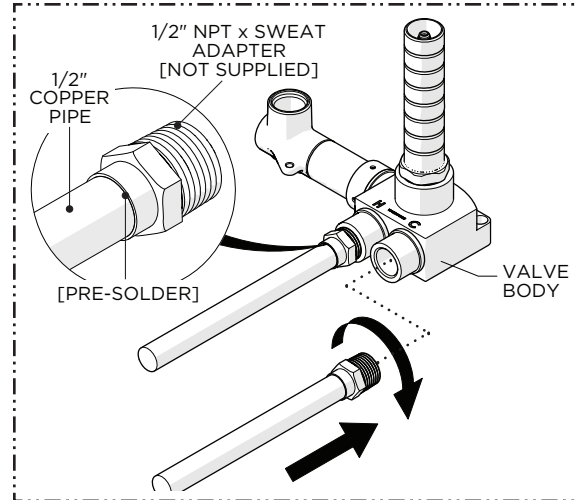
STYLE No. GULV29

Universal Lavatory Wall Mounted Rough for Single Handle



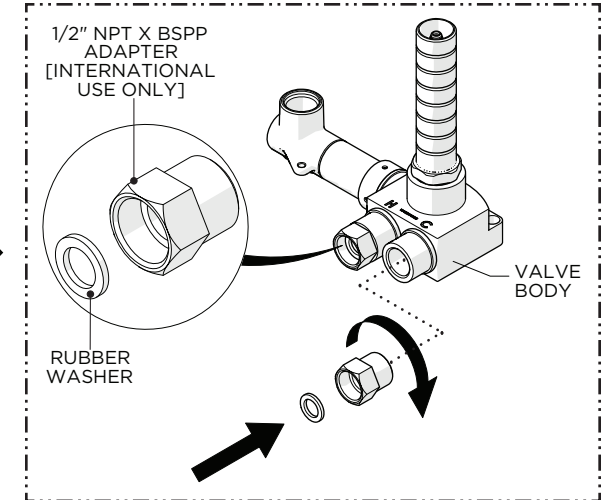
1. See the Installation Guidelines of the specific TRIM (sold separately) being used for the **MAX** and **MIN** rough-in depth dimensions.

NOTE: The rough-in depth is measured from the centerline of the inlets to the surface of the finished wall.



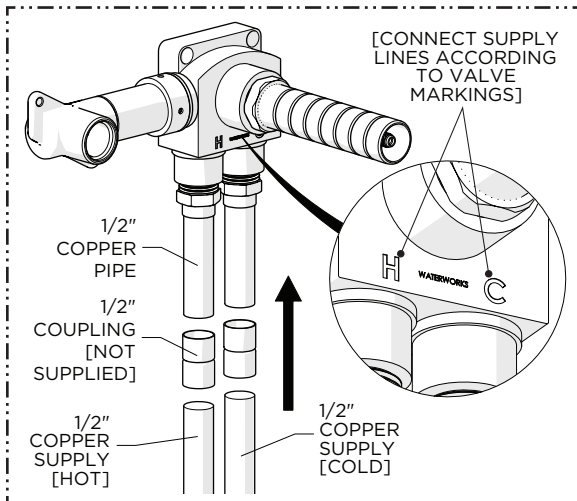
2. Pre-solder 1/2" COPPER PIPE to two 1/2" MALE NPT x SWEAT ADAPTERS (not supplied) then thread the ADAPTERS into the VALVE BODY.

NOTE: PIPES must be as long as possible to avoid heating the VALVE and damaging the CARTRIDGE when making final sweat connections.

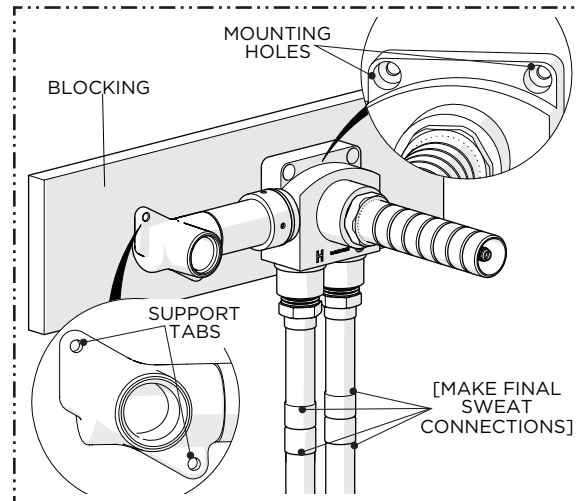


FOR INTERNATIONAL INSTALLATIONS ONLY

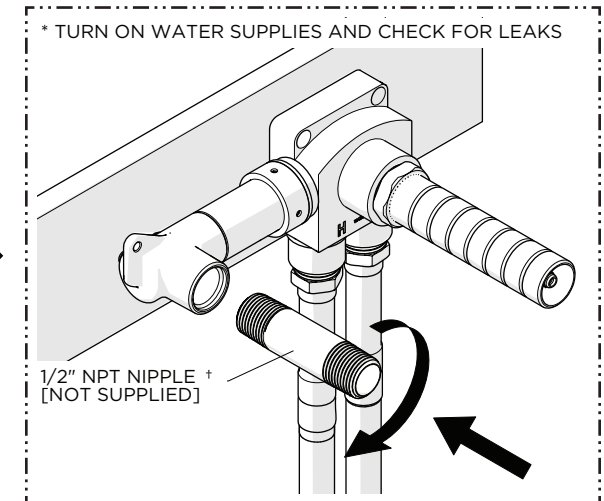
3. 1/2" NPT MALE x 1/2" FEMALE BSPP ADAPTERS and RUBBER WASHERS are provided. Thread and securely tighten the ADAPTERS into the VALVE BODY.



4. With the VALVE in the desired orientation, run 1/2" copper supply lines to the appropriate height and depth then connect to the VALVE using 1/2" COUPLINGS (not supplied). Make sure the **hot** and **cold** supplies are piped according to the VALVE markings.



5. Verify the supplies are secure, level, and at the proper spread of 1-3/16" [30mm] prior to making final sweat connections. If necessary, utilize the SUPPORT TABS and MOUNTING HOLES on the VALVE to secure it to blocking or other support material using appropriate SCREWS (not supplied).

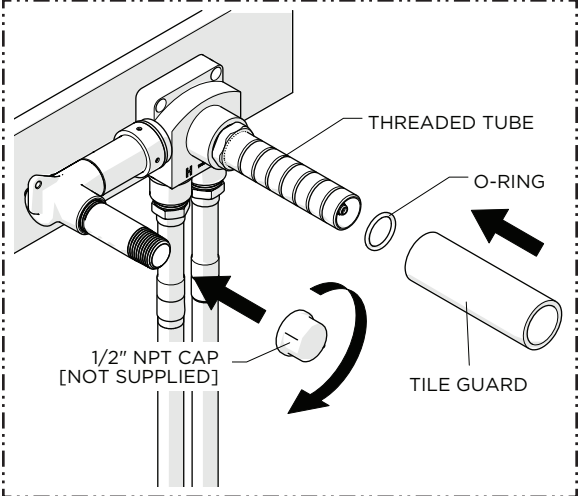
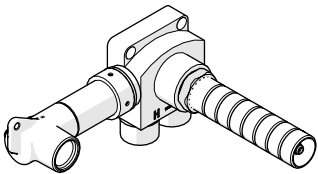


6. Install a 1/2" NPT NIPPLE (not supplied) to temporarily serve as a SPOUT then turn on the water supplies and check for leaks.

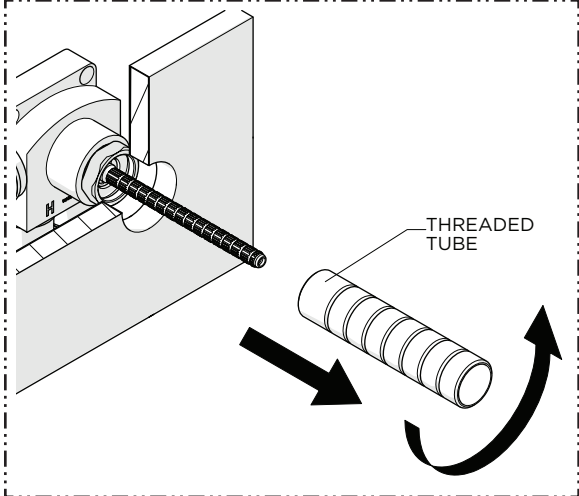
+ For **INTERNATIONAL USE ONLY**, a 1/2" NPT MALE x 1/2" FEMALE BSPP ADAPTER is provided.

WATERWORKS INSTALLATION GUIDELINES

STYLE No. GULV29
Universal Lavatory Wall Mounted Rough for Single Handle

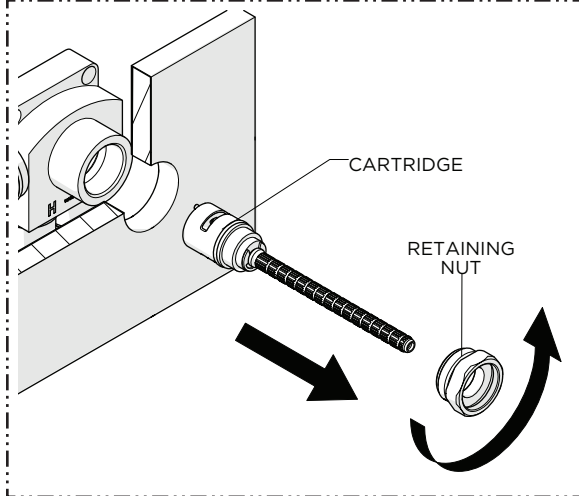
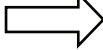


7. CAP the 1/2" NPT NIPPLE and attach the TILE GUARD to the THREADED TUBE until construction is completed.



SERVICING THE CARTRIDGE

1. Remove the THREADED TUBE.



2. Unthread and remove the RETAINING NUT then pull the CARTRIDGE out of the VALVE BODY.