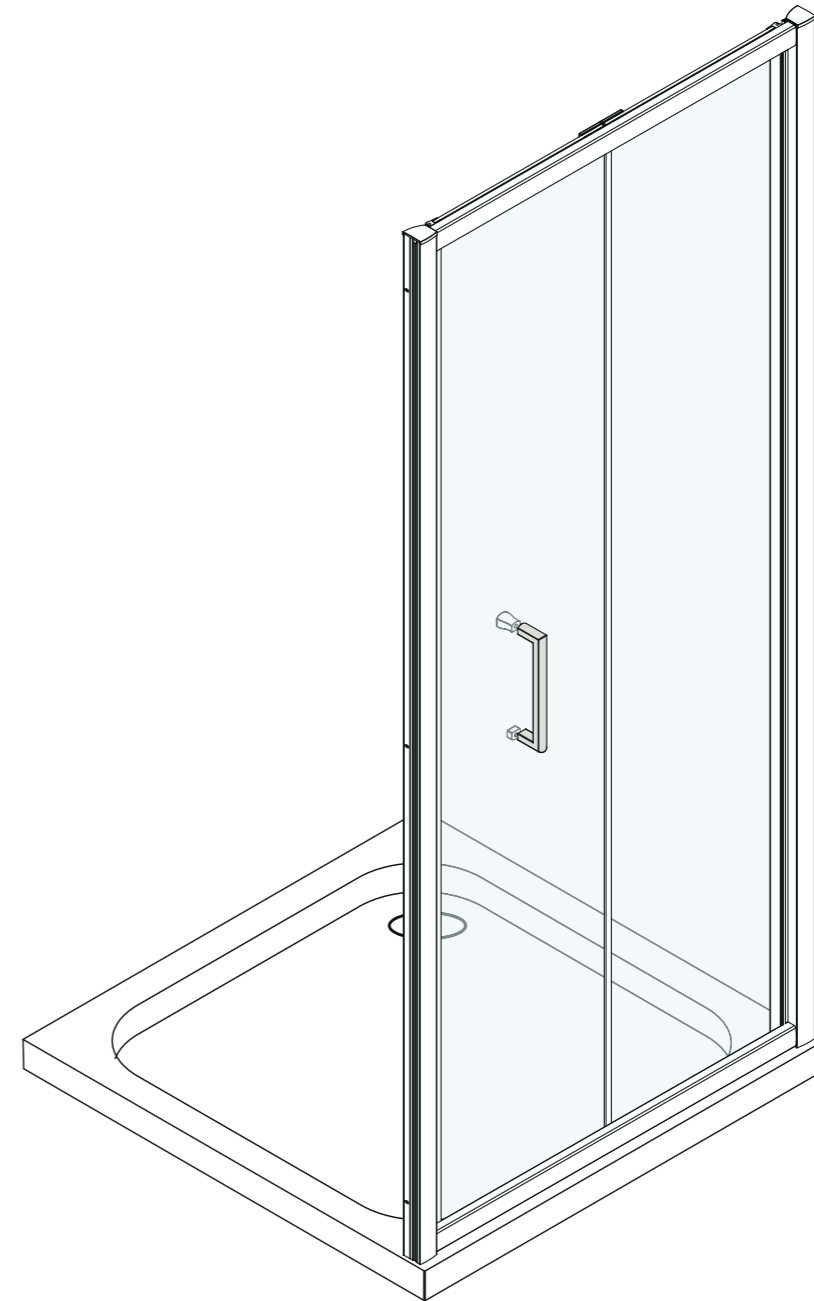


Bifold Door

ADJ



INSTALLATION INSTRUCTIONS

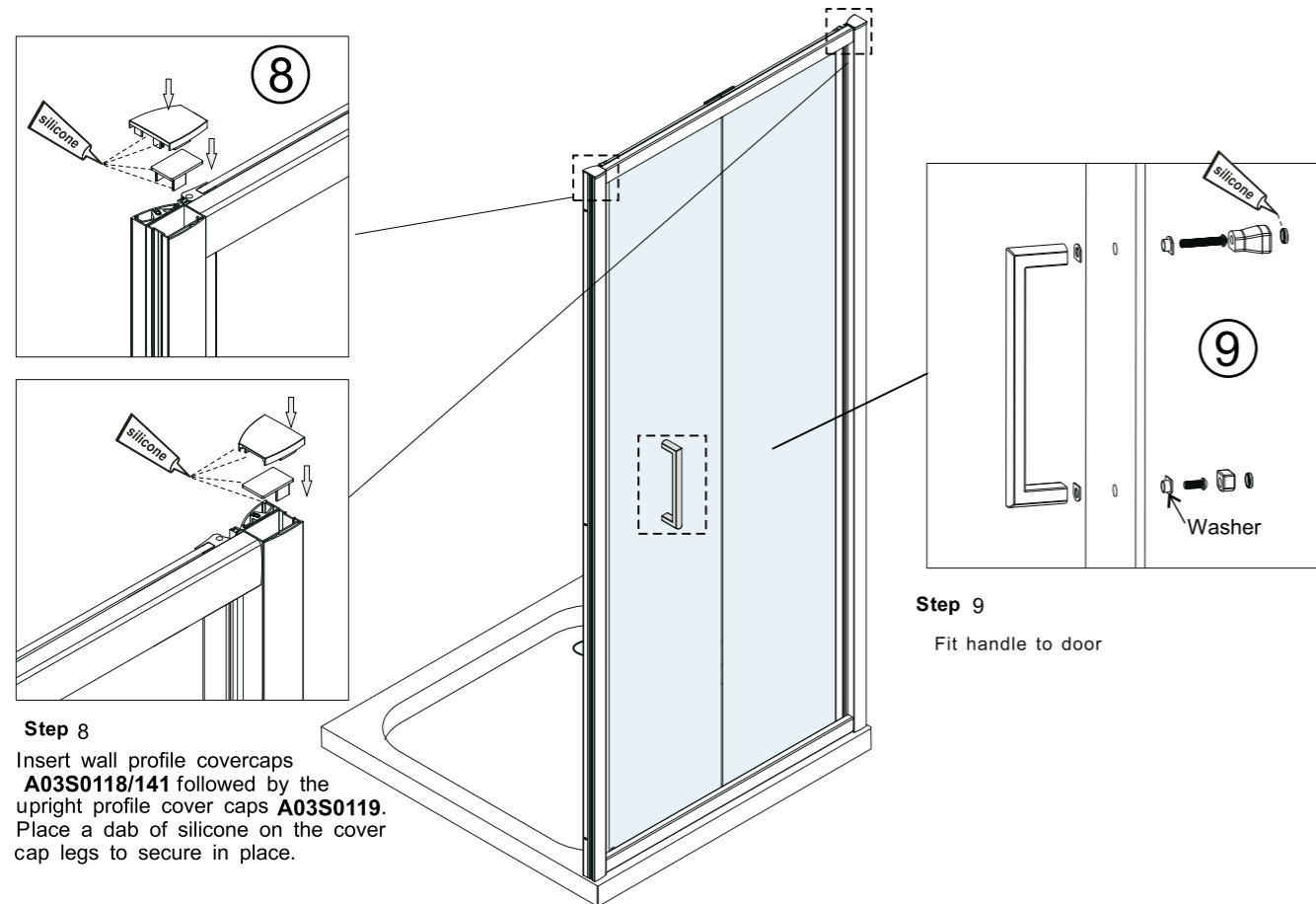
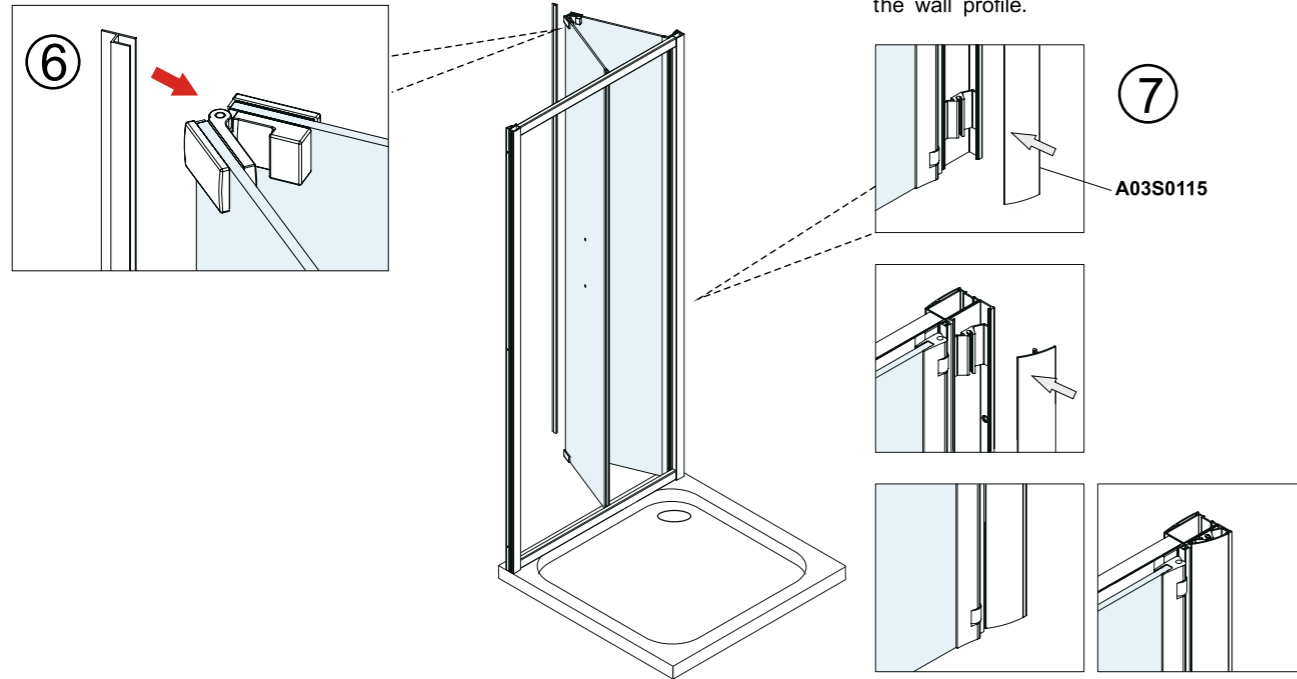
FINISHING

Step 6

Push on upright seal to back of moving panel, keeping fin to inside.

Step 7

Attach the cover strip **A03S0115** to the wall profile.



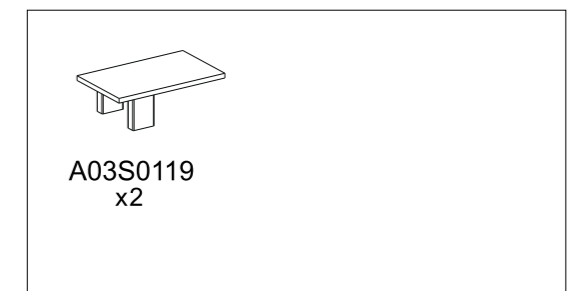
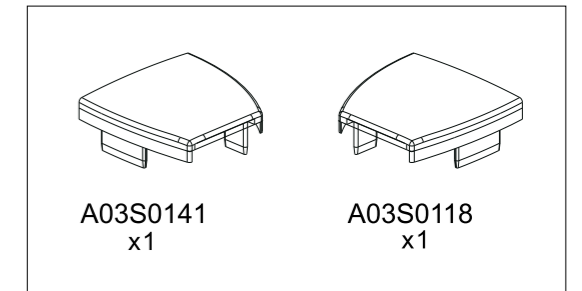
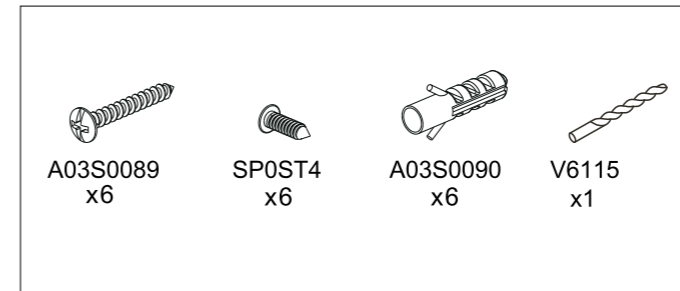
Step 8

Insert wall profile covercaps **A03S0118/141** followed by the upright profile cover caps **A03S0119**. Place a dab of silicone on the cover cap legs to secure in place.

Step 9

Fit handle to door

FIXING KIT COMPONENTS, TOOLS REQUIRED



Handle as supplied in carton may be different than shown

Tools Required

- 6mm masonry drill bit
- Spanner
- Power drill
- Quality Silicone
- Pencil
- Tape Measure
- #2 **Philips** Head screw driver
- Spirit level with horizontal and vertical level indicators

IMPORTANT-Installation site

1. Ensure the top surface of the shower tray on which the enclosure will be installed is level in every direction.
2. The tiles or other wall finishing should be effectively sealed at the tray edges.
3. Tiles should extend at least to the corners of the tray and a minimum of 2.0 metres from the top of the tray.

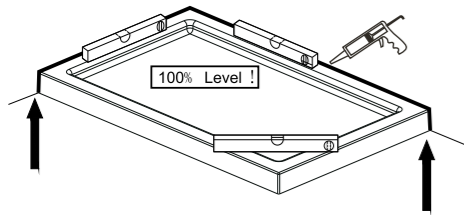
POSITIONING OF WALL PROFILES

PROCEDURE

TRAY MUST BE 100% LEVEL IN ALL DIRECTIONS

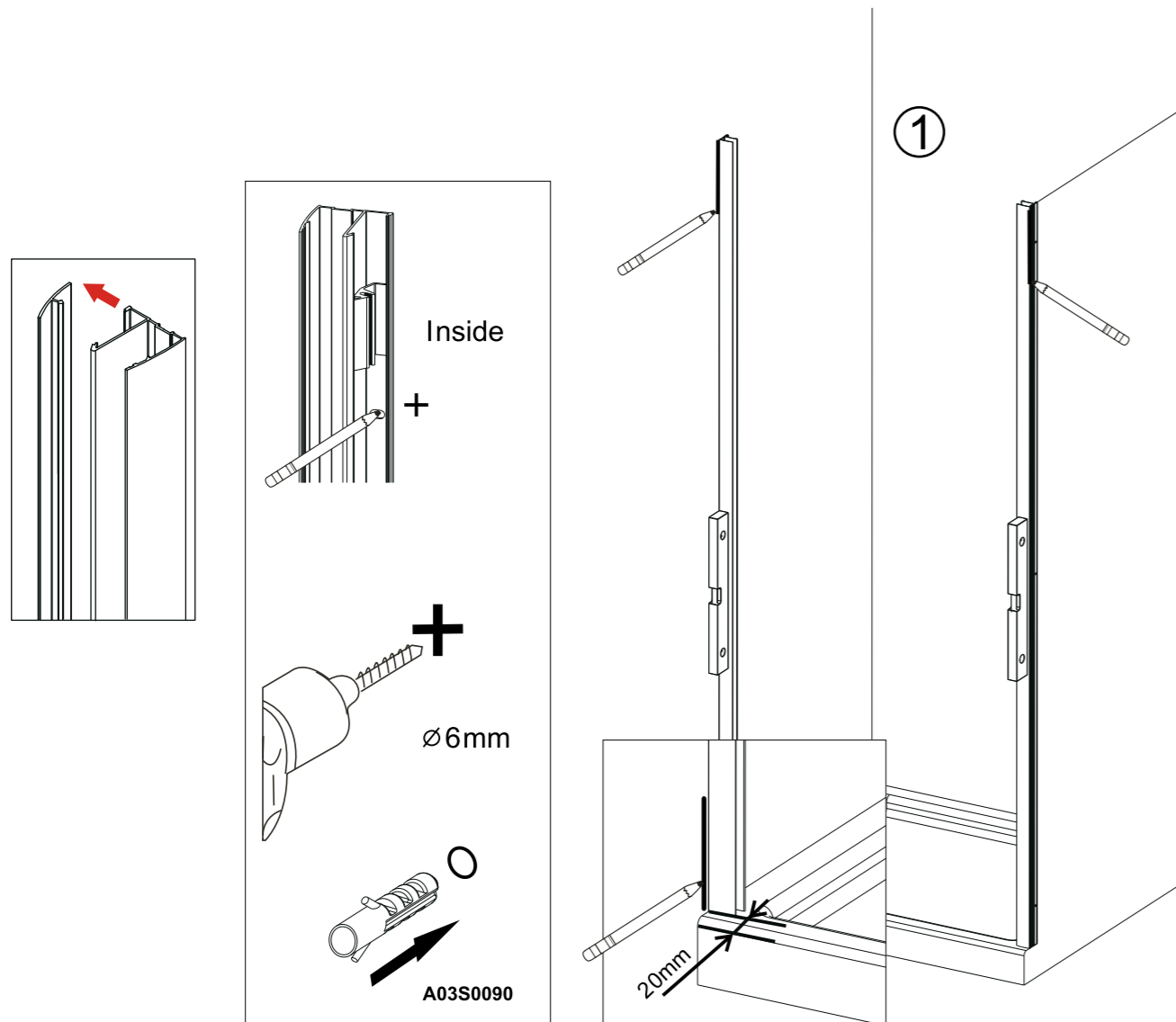
Ensure the shower tray is level in all directions and is properly sealed to the wall. The wall must be tiled down to the top edge of the tray. **Do not angle out bottom tile.**

TRAY MUST BE SEALED FULLY AROUND WHERE THE TRAY MEETS THE WALL.



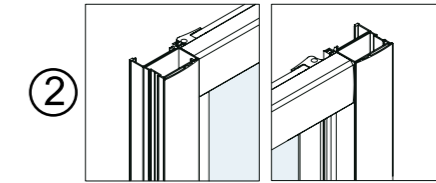
Step 1

Step in the wall profiles 20mm. Ensure the wall profiles are plumb. Mark the position for fixing the wall profile to the wall. Drill with 6mm Masonry drill bit and insert wall plug **A03S0090**.



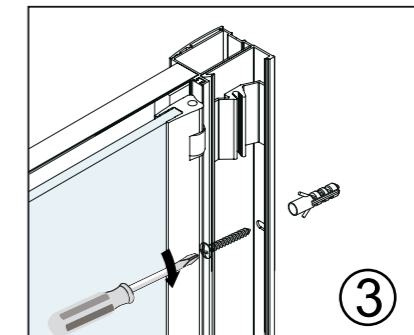
FITTING THE WALL PROFILE

Step 2
Slot wall profiles into door frame, then lift door onto the tray.



Step 3

Fix the wall profile to the wall with screws **A03S0089**.

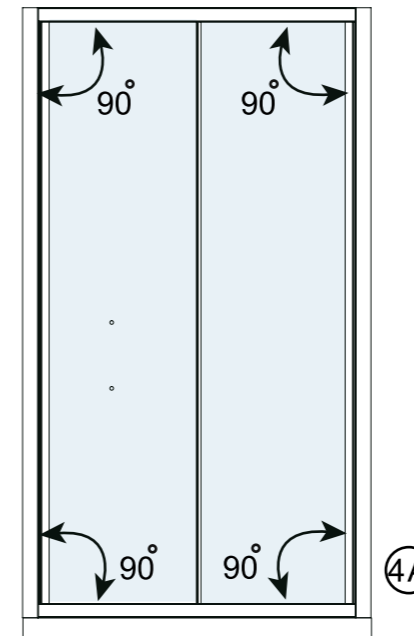


Step 4

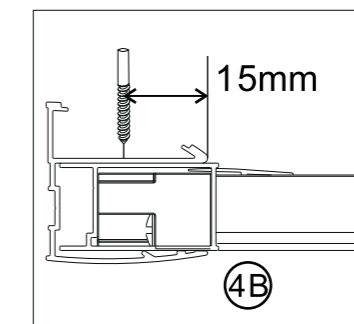
Ensure there is an equal gap between the bottom of the door and the frame (4A).

Drill 3 equally spaced holes with 3mm drill bit through the wall profile and frame (4B).

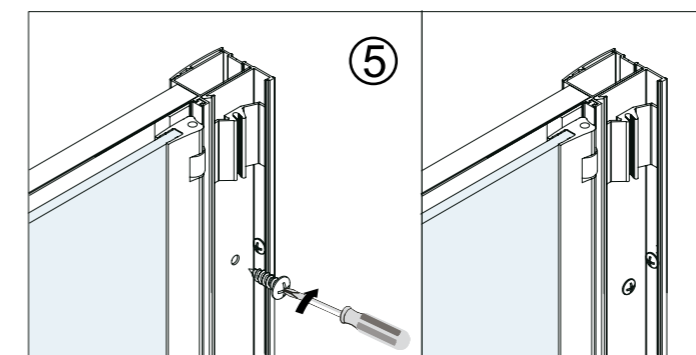
IMPORTANT: Ensure minimum of 15mm from the front edge of the frame (see picture below).



4A



4B



Step 5

Fix the frame with screws **SPOST4**.

IMPORTANT: Ensure frame is 100% square and the door closes square in the frame (should be an even gap between bottom of door panel and the bottom profile).