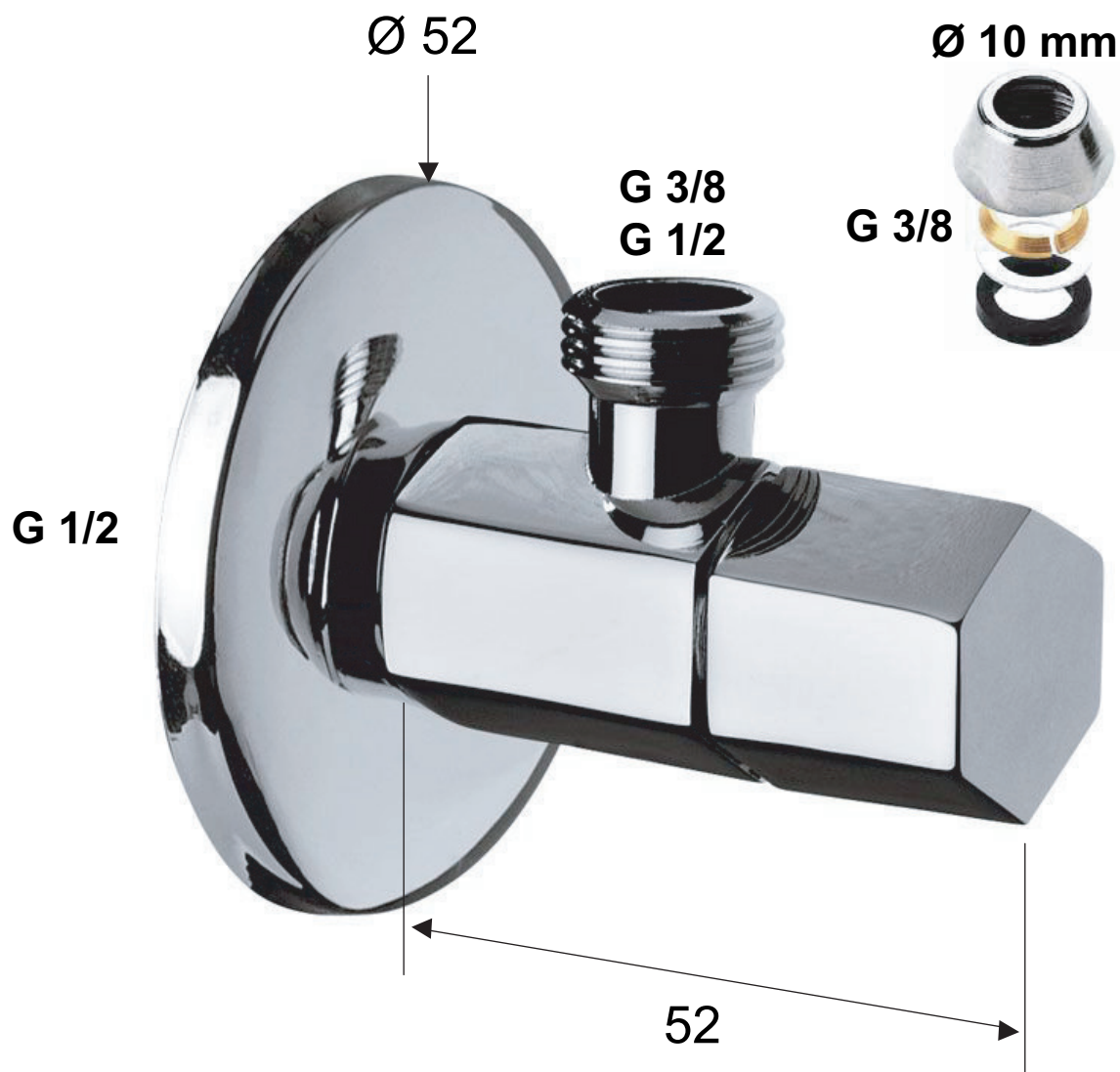


ART. COD.

A602 $\frac{1}{2} \times \frac{3}{8}$ - $\frac{1}{2} \times \frac{1}{2}$ - $\frac{1}{2} \times 10$



MATERIALI / MATERIALS

OTTONE CROMATO / CHROME PLATED BRASS

CROMATURA / CHROME PLATING

UNI EN 248