

Sink Big Bowl 1611 060

Sinks

Code: 1611 060



DETAILS

Finish Foster brushed

Material AISI 304 stainless steel

Texture Foster brushed

Base 60 cm

Edge/Installation Type Standard (8 mm Edge)

Dimensions 550x500 mm

Standard fittings Fixing hooks, gasket, drain, overflow and siphon, boxed packing

Mixer holes No standard holes

Built-in hole View technical data sheet

Drainer No

Width 55 cm

Bowl dimension 450x400mm

Number of bowls 1 bowl

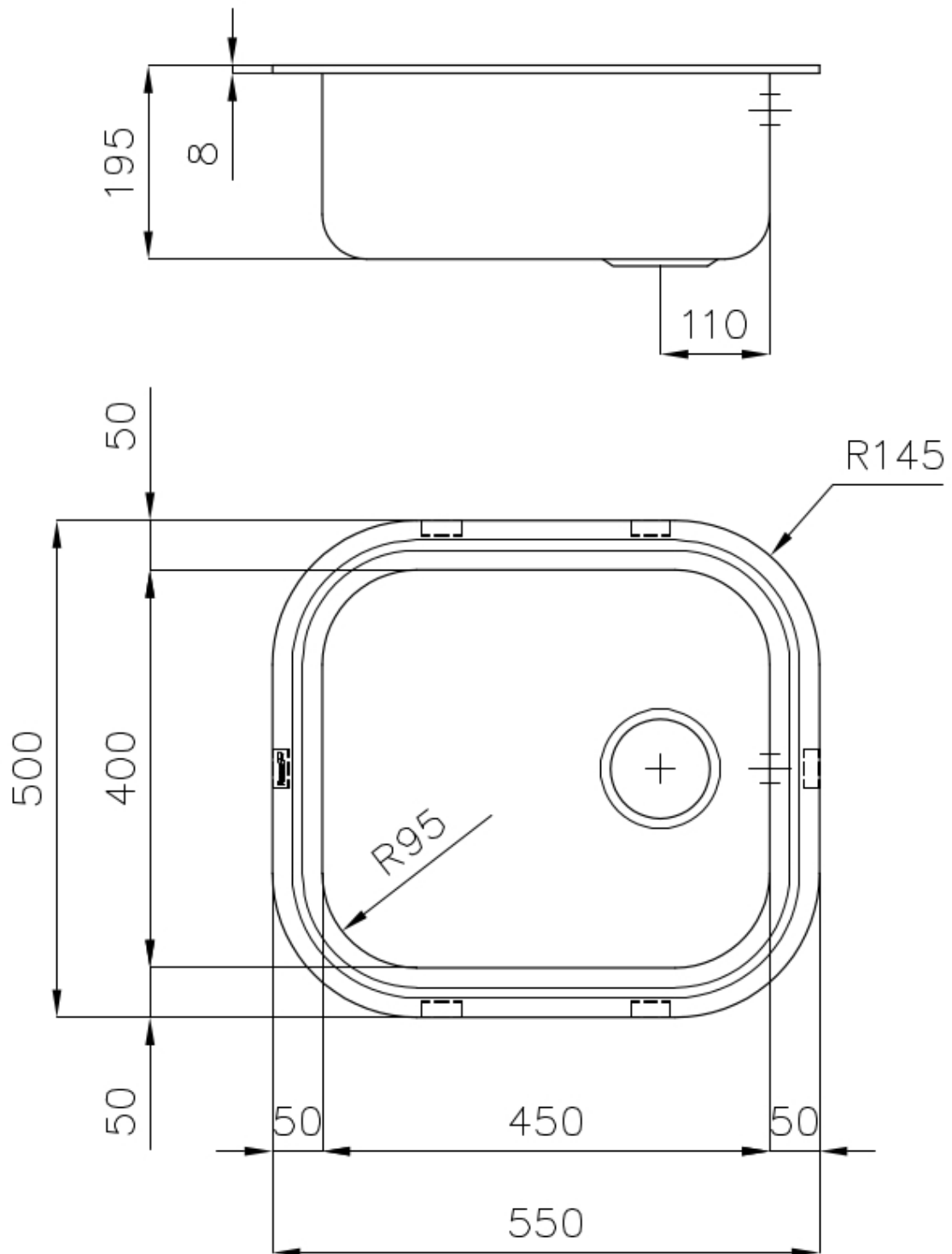
Waste fitting 3,5" drain

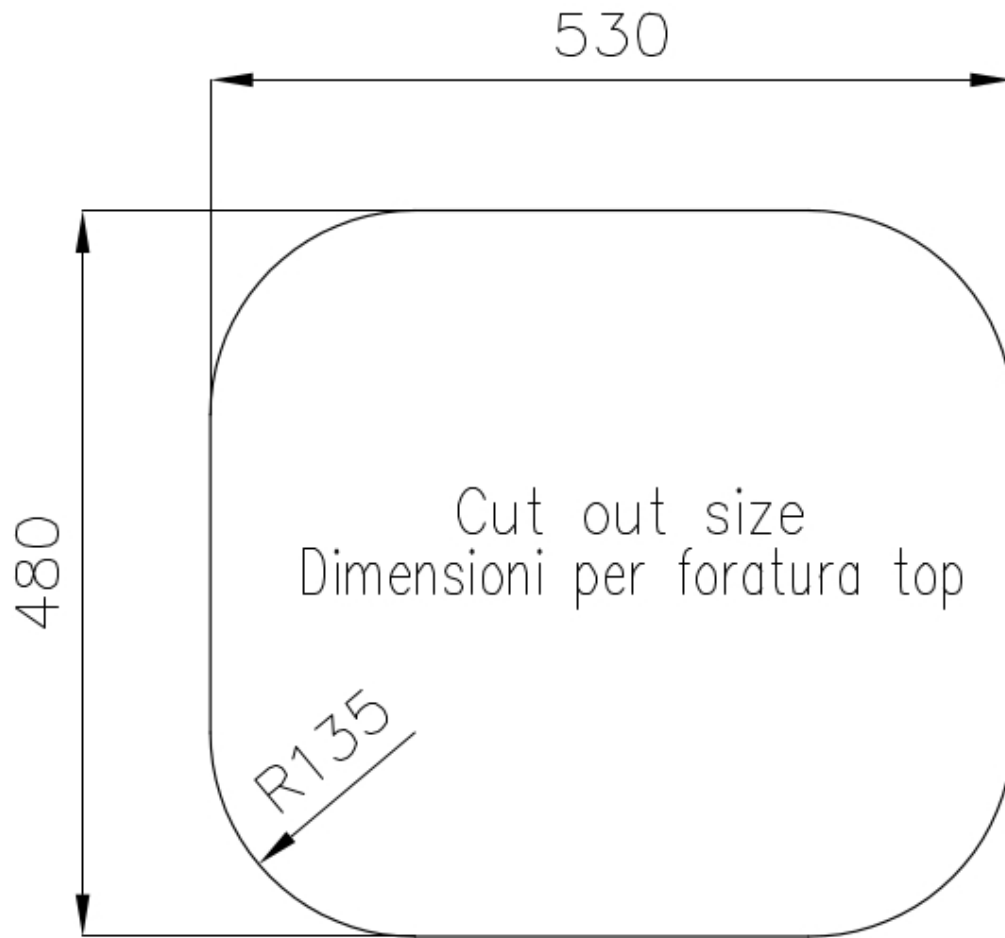
FEATURES

Added value Foster uses steel thicknesses higher than those used on average by other manufacturers. This is how, thanks to our long experience, we know how to make sinks of superior quality and with a better resistance to aging.

Basket 3,5" waste fitting The drain is equipped with a large 3.5" drain, with the practical basket cap that prevents the discharge of solid parts. The 3.5 "drain allows the use of the Foster waste-disposer, compatible with all models.

TECHNICAL DATA





OPTIONAL ACCESSORIES



Cestello inox 8612 000



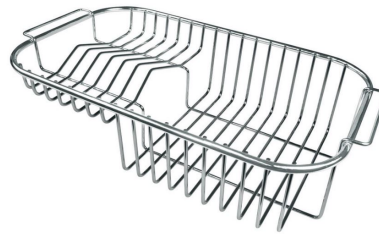
Glass chopping board 8631 300



HPDE Chopping board 8657 001



Iroko-wood chopping board 8655 000



Stainless steel plate rack 8100 301

RECOMMENDED PAIRINGS



Mixer Tap Delta 8441 000



Mixer Tap Luisa 8482 000

OPTIONAL AUTOMATIC WASTE FITTINGS



Automatic waste fitting 8407 000



Automatic waste fitting 8407 100



LIRA automatic waste fitting
8407 102



LIRA automatic waste fitting
8407 103