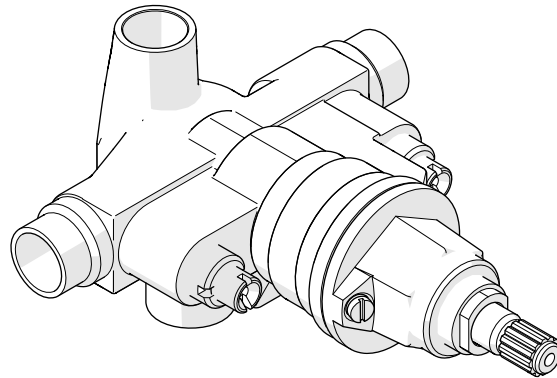


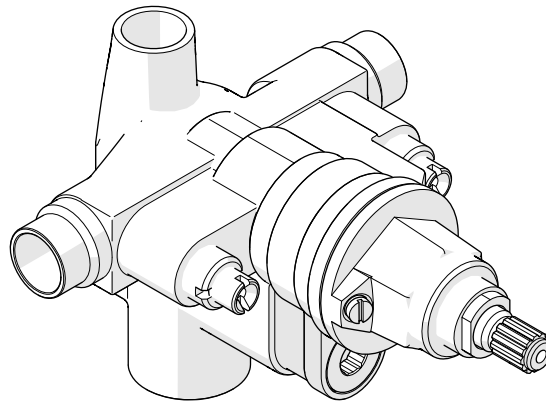


ESTB. 1978

WATERWORKS SERVICE PARTS



STYLE GUPB81
Universal Pressure Balance Valve



STYLE GUPB87
Universal Pressure Balance with Diverter Valve

WELCOME TO

WATERWORKS

For over three decades, Waterworks has transformed the bath through an absolute commitment to design authenticity, innovation and quality. A blend of scholarly appreciation and applied experience guarantees mechanical integrity, meticulous craftsmanship, and timeless designs.

**TO ORDER PARTS CALL
1 (800) 927-2120 (EXT 2)**

Order by part number and specify color, finish, or other options if required.

PRODUCT SUPPORT

Our Product Support team provides troubleshooting and technical problem resolution, including replacement parts and installation recommendations throughout the life of your product.

Product Support is available Monday through Friday, 8AM-6PM EST.

**LIMITED LIFETIME
WARRANTY**

Our warranty covers repair and replacement of Waterworks products if within the applicable coverage period and deemed defective by Waterworks. Waterworks will, at its option, repair or replace such products; this does not include installation costs, labor charges, or other incidental or consequential costs.

To obtain your complete warranty or inquire about warranty service, please visit us at www.waterworks.com or contact our Product Support Team.



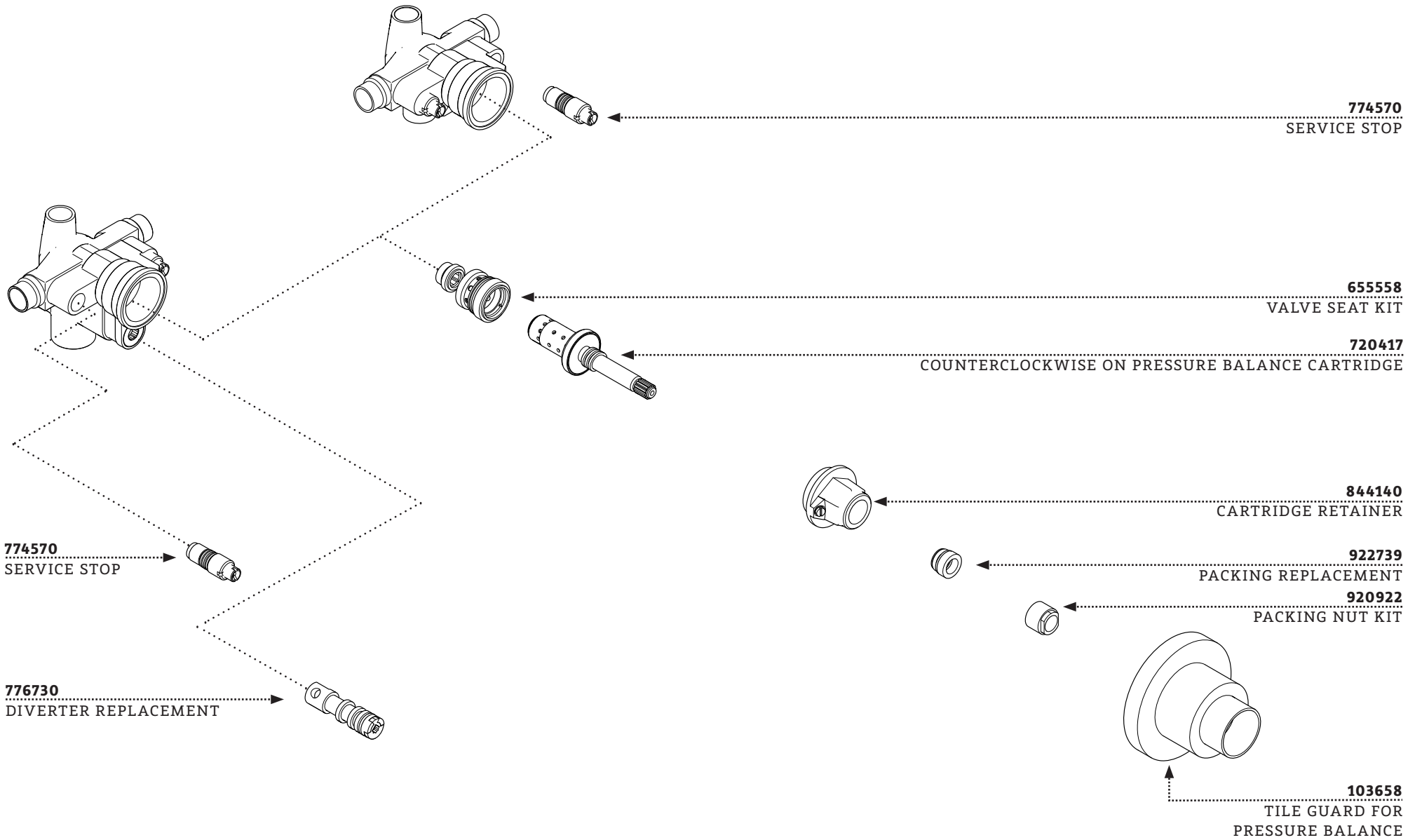
ESTB. 1978

WATERWORKS

MAIN KITS

STYLES: GUPB81, GUPB87

*FINISH/COLOR MUST BE SPECIFIED WHEN ORDERING
++SUPPLIED AS A PAIR



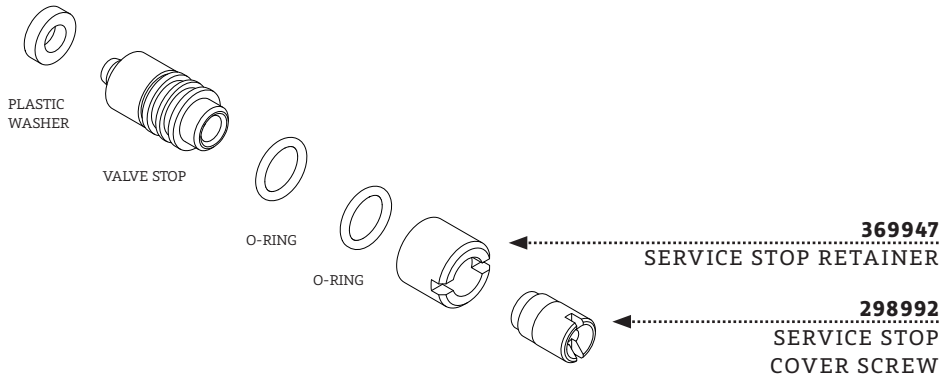
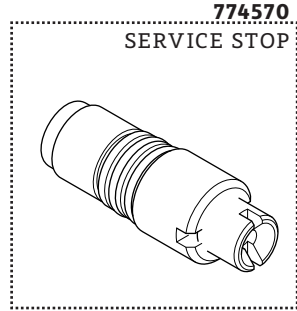


ESTB. 1978

WATERWORKS

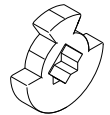
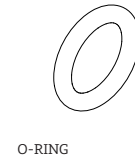
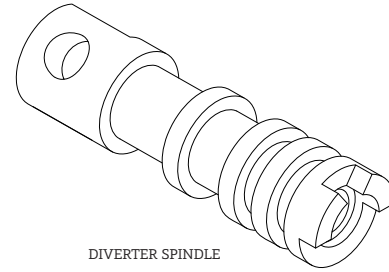
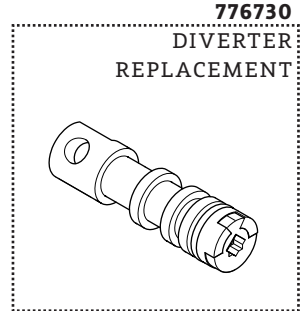
KIT COMPONENTS

STYLES: GUPB81, GUPB87



*FINISH/COLOR MUST BE SPECIFIED WHEN ORDERING
++SUPPLIED AS A PAIR

KIT COMPONENTS



DIVERTER KEY

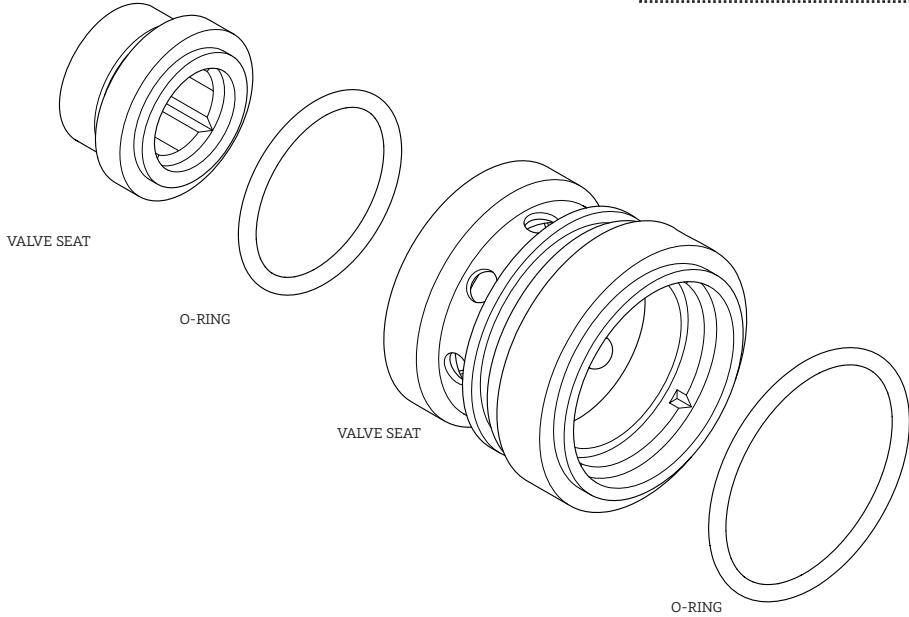


ESTB. 1978

WATERWORKS

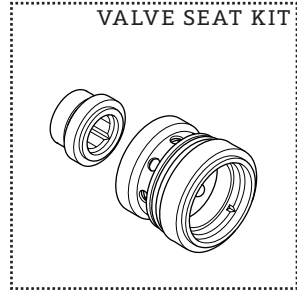
KIT COMPONENTS

STYLES: GUPB81, GUPB87



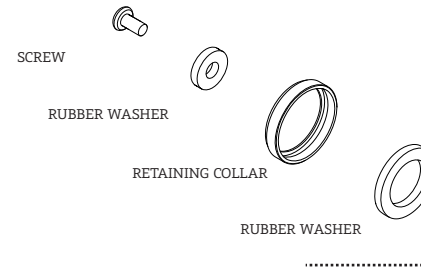
65558

VALVE SEAT KIT



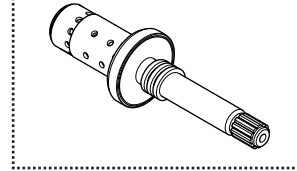
*FINISH/COLOR MUST BE SPECIFIED WHEN ORDERING
++SUPPLIED AS A PAIR

KIT COMPONENTS



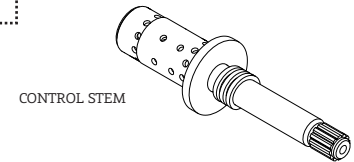
720417

COUNTERCLOCKWISE
ON PRESSURE
BALANCE CARTRIDGE



853519

WASHERS FOR PRESSURE
BALANCE CARTRIDGE





ESTB. 1978

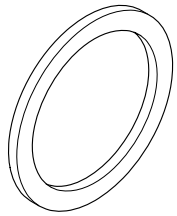
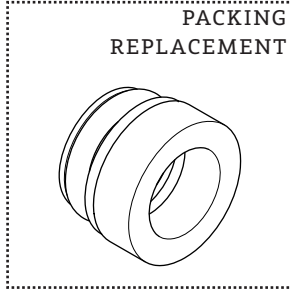
WATERWORKS

KIT COMPONENTS

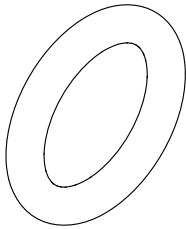
STYLES: GUPB81, GUPB87

922739

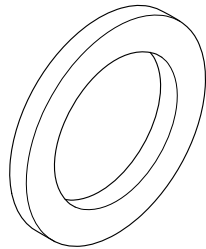
**PACKING
REPLACEMENT**



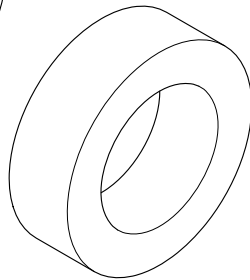
METAL WASHER



O-RING



METAL WASHER



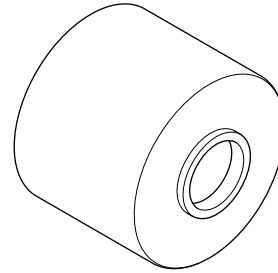
RUBBER WASHER

*FINISH/COLOR MUST BE SPECIFIED WHEN ORDERING
++SUPPLIED AS A PAIR

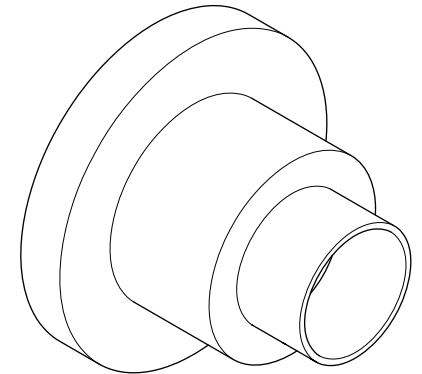
KIT COMPONENTS

103658

**TILE GUARD FOR
PRESSURE BALANCE**



COVER



TILE GUARD



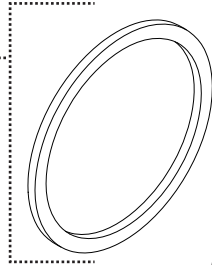
ESTB. 1978

WATERWORKS

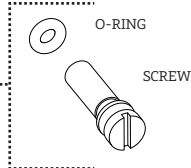
KIT COMPONENTS

STYLES: GUPB81, GUPB87

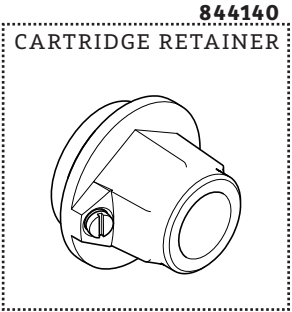
153535
CARTRIDGE RETAINING
GASKET



012392
LIMIT STOP SCREW FOR
PRESSURE BALANCE



BONNET



*FINISH/COLOR MUST BE SPECIFIED WHEN ORDERING
++SUPPLIED AS A PAIR

SERVICE PARTS INDEX

<u>STYLE</u>	<u>DESCRIPTION</u>	<u>PG</u>
844140	CARTRIDGE RETAINER	10
153535	CARTRIDGE RETAINING GASKET	10
720417	COUNTERCLOCKWISE ON PRESSURE BALANCE CARTRIDGE	7
776730	DIVERTER REPLACEMENT	5
012392	LIMIT STOP SCREW FOR PRESSURE BALANCE	10
920922	PACKING NUT KIT	3
922739	PACKING REPLACEMENT	8
774570	SERVICE STOP	4
298992	SERVICE STOP COVER SCREW	4
369947	SERVICE STOP RETAINER	4
103658	TILE GUARD FOR PRESSURE BALANCE	9
655558	VALVE SEAT KIT	6
853519	WASHERS FOR PRESSURE BALANCE CARTRIDGE	7

DOCUMENT: SPGU06_REV01



ESTB. 1978

WATERWORKS

NOTES

STYLES: GUPB81, GUPB87

*FINISH/COLOR MUST BE SPECIFIED WHEN ORDERING
++SUPPLIED AS A PAIR

NOTES



ESTB. 1978

WATERWORKS

PRODUCT SUPPORT

60 BACKUS AVENUE
DANBURY, CT 06810

1 (800) 927-2120 (EXT 2)

WWW.WATERWORKS.COM